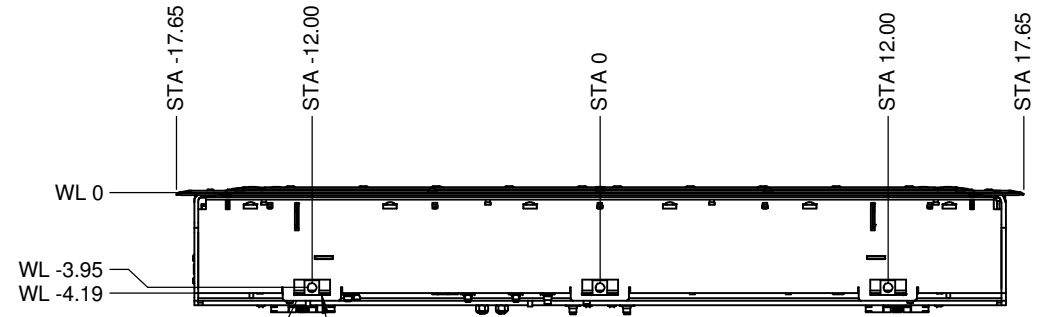
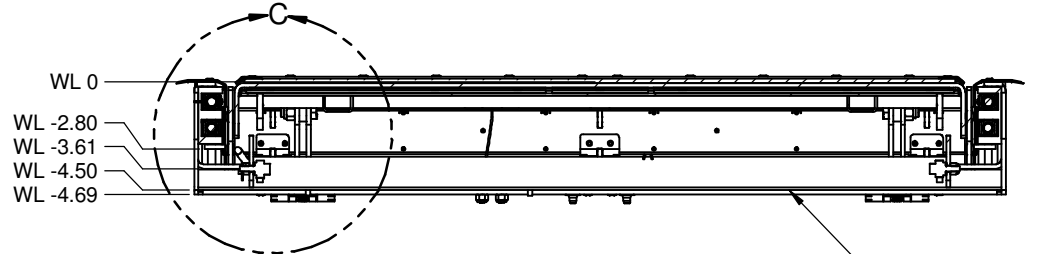


REVISIONS						
REV	ECO	DESCRIPTION	CREATED	DATE	APPROVED	DATE
A		RELEASED	BSA	7-26-13		



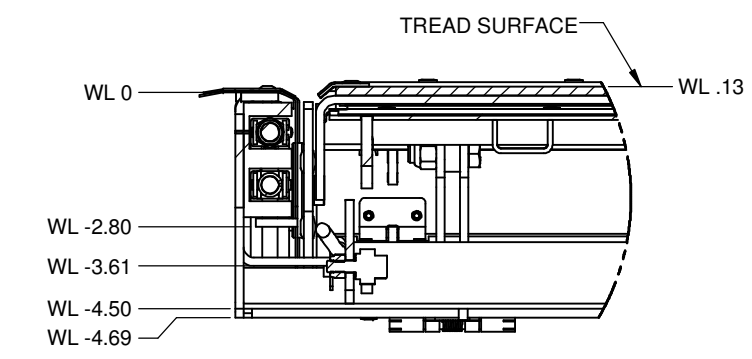
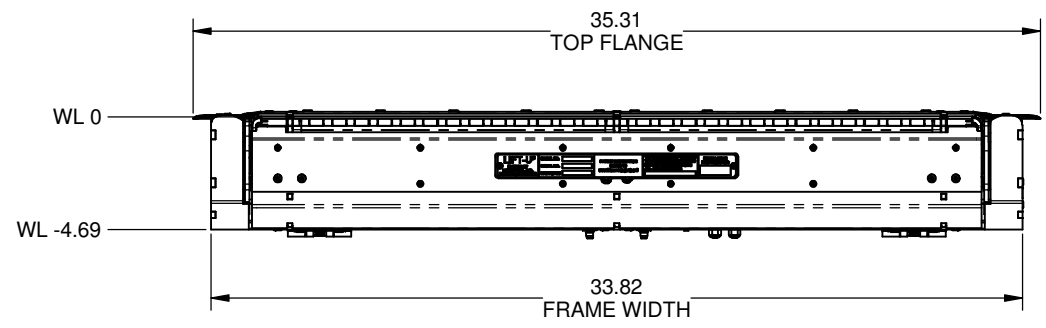
SECTION A-A

3X, OPENING (.64 x 1.50) FOR MOUNTING BLOCK WHICH FACILITATES ROADSIDE VEHICLE MOUNTING. HARDWARE SUPPLIED BY INSTALLER.

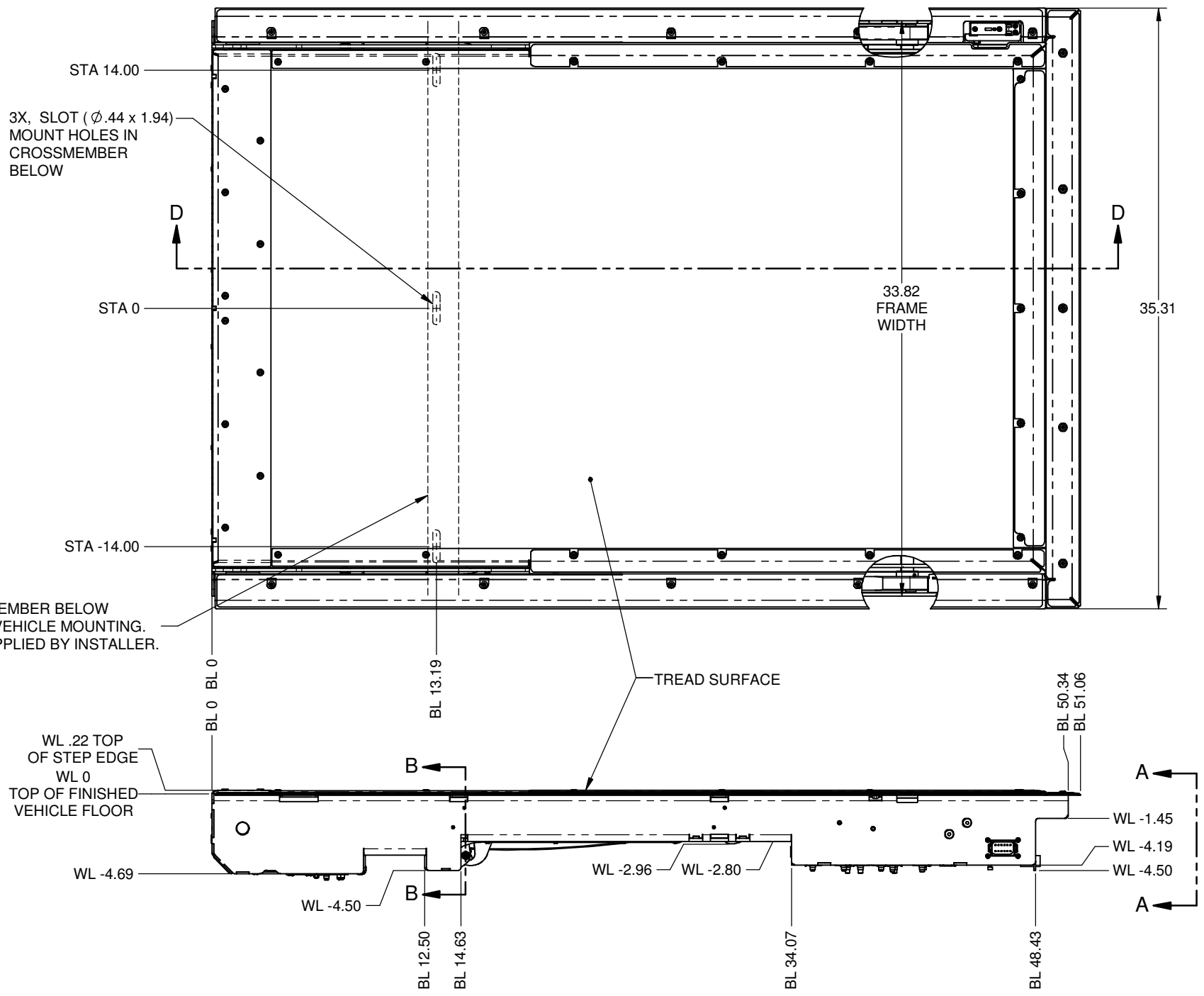


SECTION B-B

CROSSMEMBER BELOW FACILITATES VEHICLE MOUNTING. HARDWARE SUPPLIED BY INSTALLER.

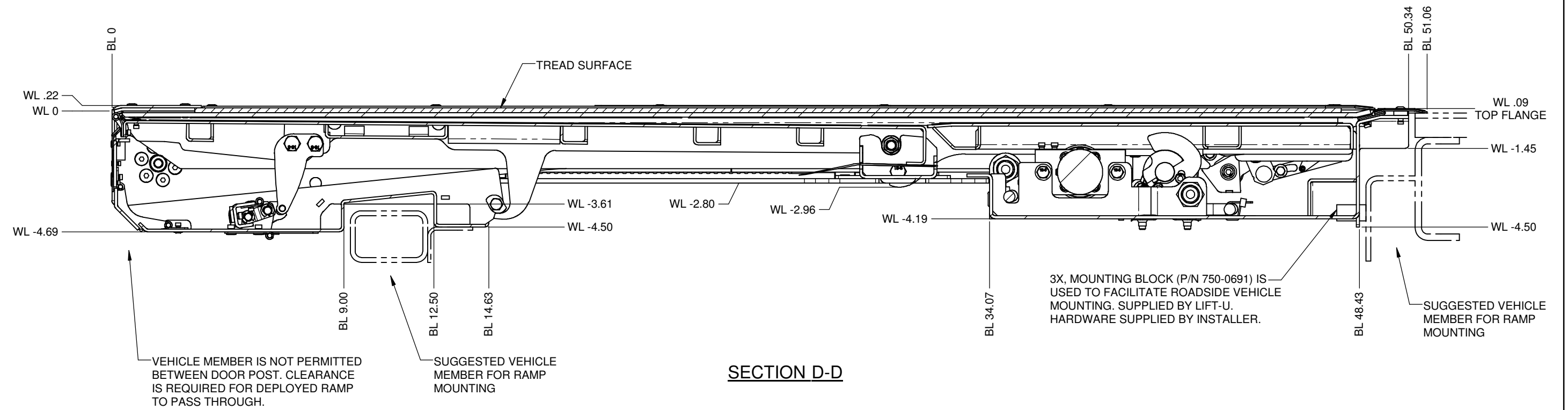


DETAIL C




RAMP INSTALLATION ANGLE, SIDE KNEEL ANGLE, OR ANY COMBINATION THEREOF SHALL NOT EXCEED 3.7 °

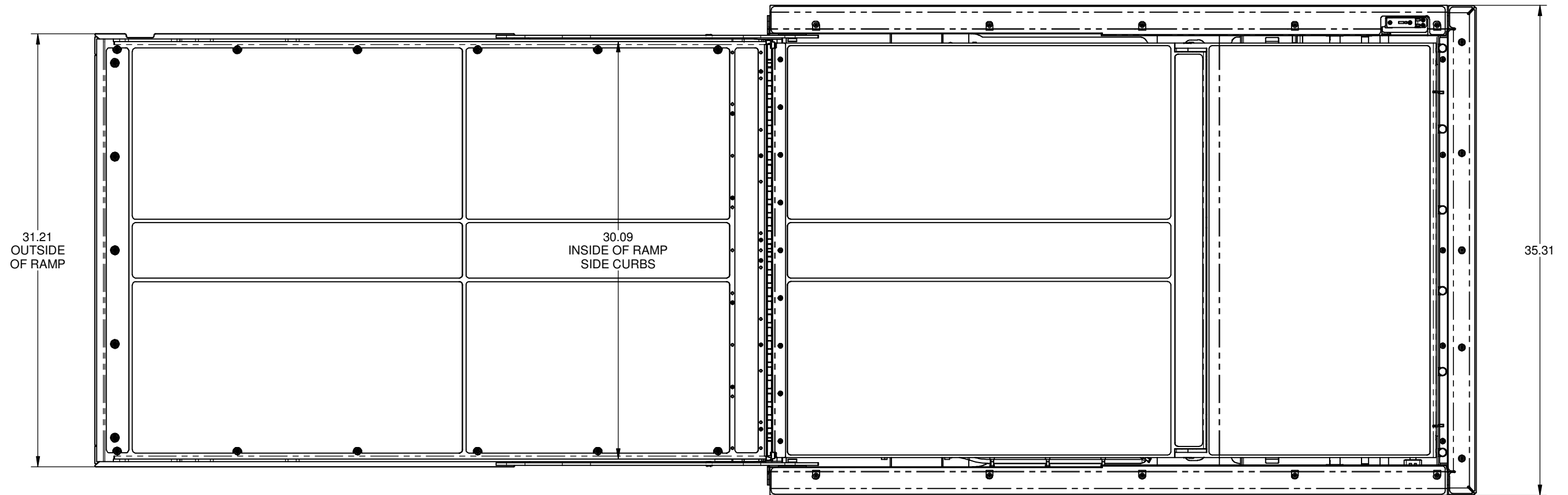
<p>LIFT-U P.O. BOX 398 ESCALON, CA. 95320 209-838-2400</p> <p>A DIVISION OF HOGAN MFG., INC.</p>	<p>THIS DOCUMENT IS AND CONTAINS CONFIDENTIAL TRADE SECRET INFORMATION OF THE COMPANY. NO PART OF IT MAY BE REPRODUCED, STORED IN A RETRIEVAL SYSTEM, OR TRANSMITTED IN ANY FORM OR BY ANY MEANS ELECTRONICALLY, PHOTOCOPYING, RECORDING OR OTHERWISE, WITHOUT THE PRIOR WRITTEN PERMISSION OF HOGAN MFG, INC. THIS DOCUMENT IS LOANED FOR THE LIMITED PURPOSES STATED HEREIN ONLY, AND REMAINS THE PROPERTY OF THE COMPANY.</p>
	<p>TITLE RAMP OPERATION/ENVELOPE</p>
<p>DOCUMENT NO. 751-0004</p>	<p>SHEET NO. 1 OF 5</p>
<p>REVISION A</p>	



SECTION D-D

RAMP INSTALLATION ANGLE, SIDE KNEEL ANGLE, OR ANY COMBINATION THEREOF SHALL NOT EXCEED 3.7 °

 LIFT-U P.O. BOX 398 ESCALON, CA. 95320 209-838-2400	THIS DOCUMENT IS AND CONTAINS CONFIDENTIAL TRADE SECRET INFORMATION OF THE COMPANY. NO PART OF IT MAY BE REPRODUCED, STORED IN A RETRIEVAL SYSTEM, OR TRANSMITTED IN ANY FORM OR BY ANY MEANS ELECTRONICALLY, PHOTOCOPYING, RECORDING OR OTHERWISE, WITHOUT THE PRIOR WRITTEN PERMISSION OF HOGAN MFG, INC. THIS DOCUMENT IS LOANED FOR THE LIMITED PURPOSES STATED HEREIN ONLY, AND REMAINS THE PROPERTY OF THE COMPANY.	
	A DIVISION OF HOGAN MFG., INC.	
TITLE RAMP OPERATION/ENVELOPE		
DOCUMENT NO. 751-0004	SHEET NO. 2 OF 5	REVISION A



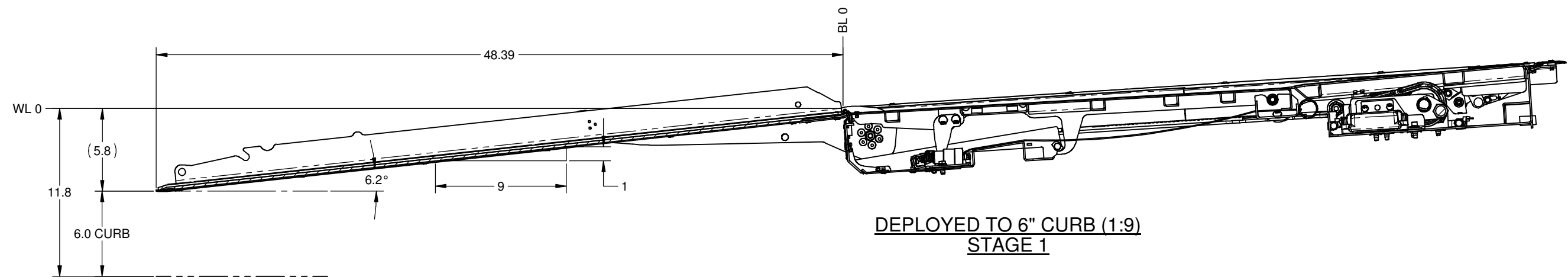
PLAN VIEW
RAMP DEPLOYED TO GROUND LEVEL

RAMP INSTALLATION ANGLE, SIDE KNEEL ANGLE, OR ANY COMBINATION THEREOF SHALL NOT EXCEED 3.7 °

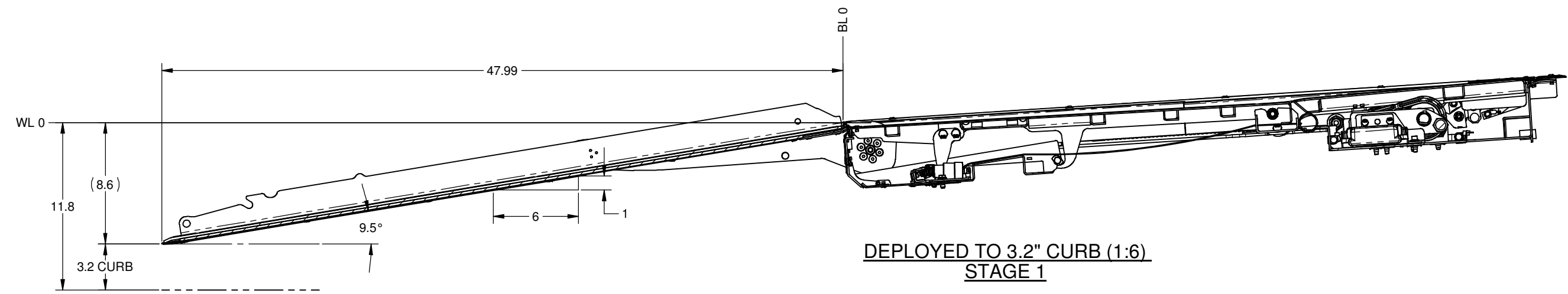
LIFT-U[®]
 P.O. BOX 398
 ESCALON, CA. 95320
 209-838-2400
 A DIVISION OF
HOGAN MFG., INC.

THIS DOCUMENT IS AND CONTAINS CONFIDENTIAL TRADE SECRET INFORMATION OF THE COMPANY. NO PART OF IT MAY BE REPRODUCED, STORED IN A RETRIEVAL SYSTEM, OR TRANSMITTED IN ANY FORM OR BY ANY MEANS ELECTRONICALLY, PHOTOCOPIING, RECORDING OR OTHERWISE, WITHOUT THE PRIOR WRITTEN PERMISSION OF HOGAN MFG, INC. THIS DOCUMENT IS LOANED FOR THE LIMITED PURPOSES STATED HEREIN ONLY, AND REMAINS THE PROPERTY OF THE COMPANY.

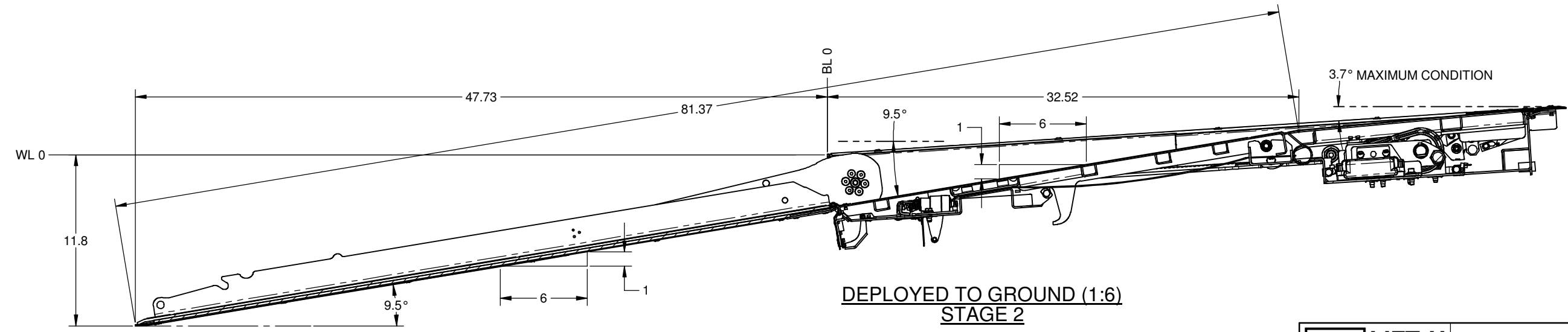
TITLE		RAMP OPERATION/ENVELOPE	
DOCUMENT NO.	751-0004	SHEET NO.	3 OF 5
		REVISION	A



**DEPLOYED TO 6" CURB (1:9)
STAGE 1**



**DEPLOYED TO 3.2" CURB (1:6)
STAGE 1**



**DEPLOYED TO GROUND (1:6)
STAGE 2**

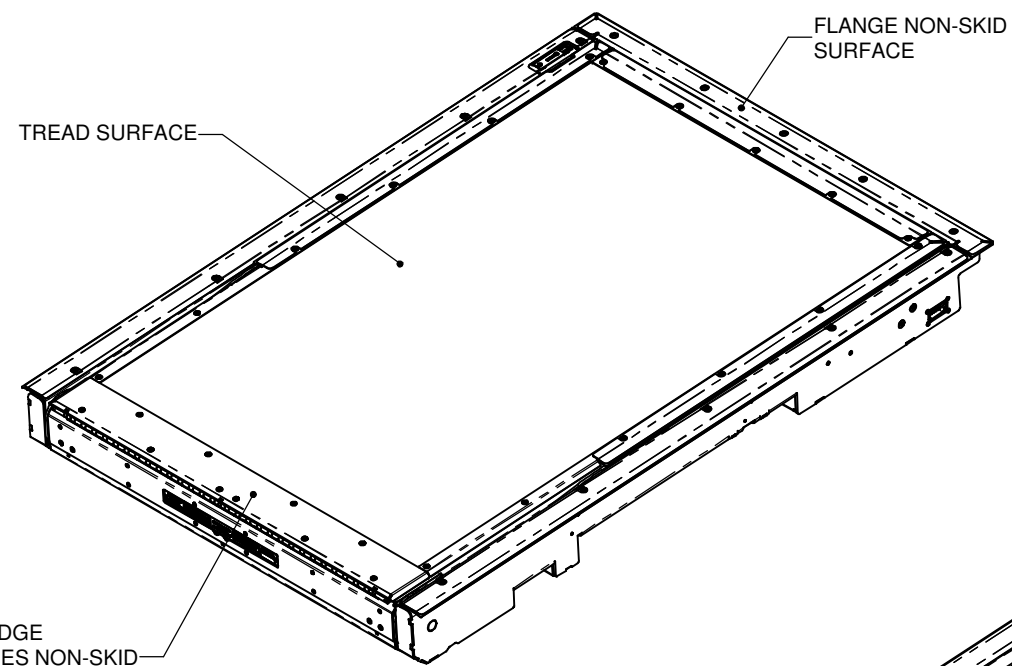
RAMP INSTALLATION ANGLE, SIDE KNEEL ANGLE, OR ANY COMBINATION THEREOF SHALL NOT EXCEED 3.7 °



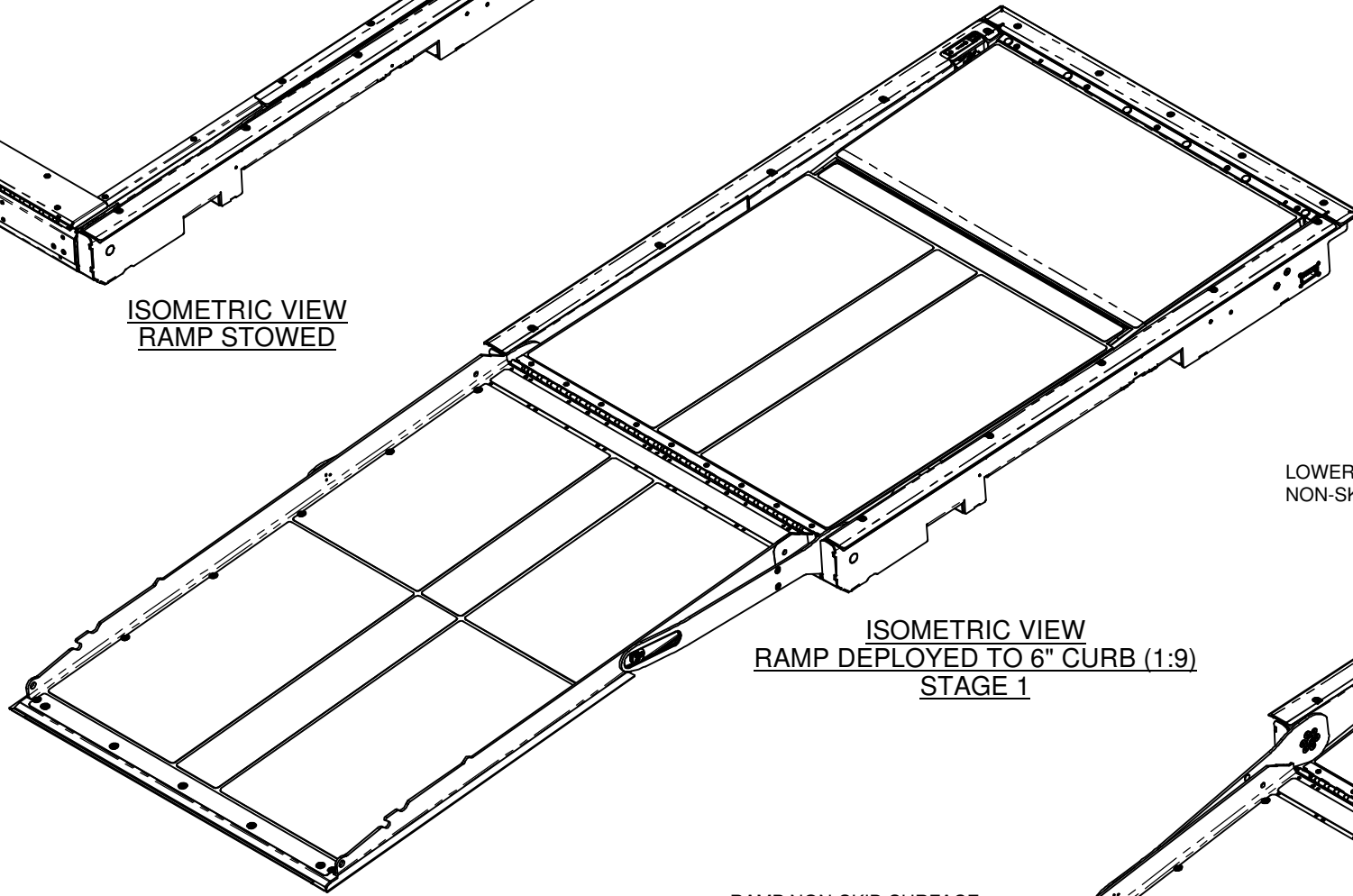
A DIVISION OF
HOGAN MFG., INC.

THIS DOCUMENT IS AND CONTAINS CONFIDENTIAL TRADE SECRET INFORMATION OF THE COMPANY. NO PART OF IT MAY BE REPRODUCED, STORED IN A RETRIEVAL SYSTEM, OR TRANSMITTED IN ANY FORM OR BY ANY MEANS ELECTRONICALLY, PHOTOCOPIING, RECORDING OR OTHERWISE, WITHOUT THE PRIOR WRITTEN PERMISSION OF HOGAN MFG, INC. THIS DOCUMENT IS LOANED FOR THE LIMITED PURPOSES STATED HEREIN ONLY, AND REMAINS THE PROPERTY OF THE COMPANY.

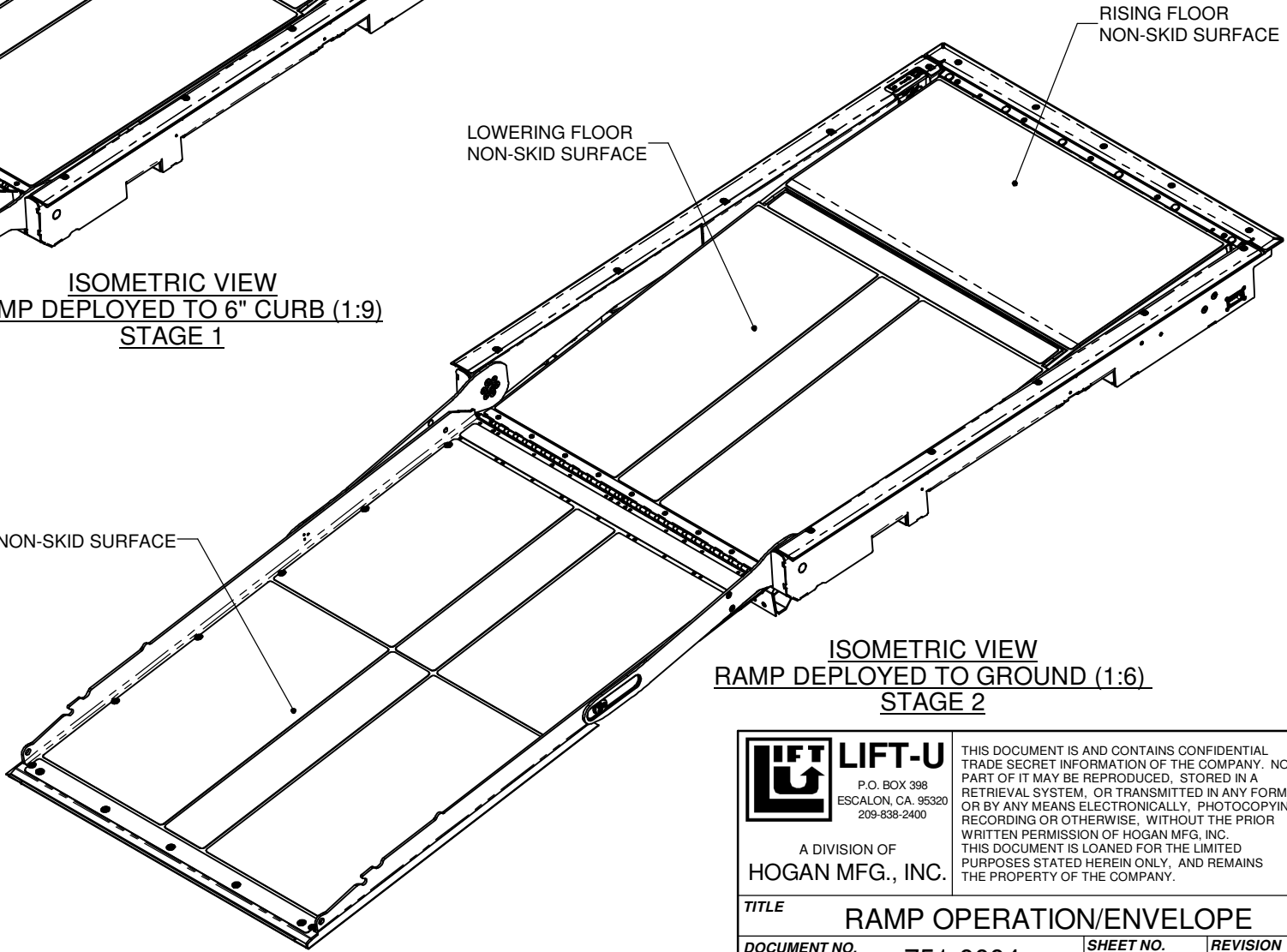
TITLE	RAMP OPERATION/ENVELOPE		
DOCUMENT NO.	751-0004	SHEET NO.	4 OF 5
		REVISION	A



ISOMETRIC VIEW
RAMP STOWED




ISOMETRIC VIEW
RAMP DEPLOYED TO 6" CURB (1:9)
STAGE 1



ISOMETRIC VIEW
RAMP DEPLOYED TO GROUND (1:6)
STAGE 2

RAMP INSTALLATION ANGLE, SIDE KNEEL ANGLE, OR ANY COMBINATION THEREOF SHALL NOT EXCEED 3.7 °

 LIFT-U P.O. BOX 398 ESCALON, CA. 95320 209-838-2400	THIS DOCUMENT IS AND CONTAINS CONFIDENTIAL TRADE SECRET INFORMATION OF THE COMPANY. NO PART OF IT MAY BE REPRODUCED, STORED IN A RETRIEVAL SYSTEM, OR TRANSMITTED IN ANY FORM OR BY ANY MEANS ELECTRONICALLY, PHOTOCOPIING, RECORDING OR OTHERWISE, WITHOUT THE PRIOR WRITTEN PERMISSION OF HOGAN MFG., INC. THIS DOCUMENT IS LOANED FOR THE LIMITED PURPOSES STATED HEREIN ONLY, AND REMAINS THE PROPERTY OF THE COMPANY.	
	A DIVISION OF HOGAN MFG., INC.	
TITLE RAMP OPERATION/ENVELOPE		
DOCUMENT NO. 751-0004	SHEET NO. 5 OF 5	REVISION A