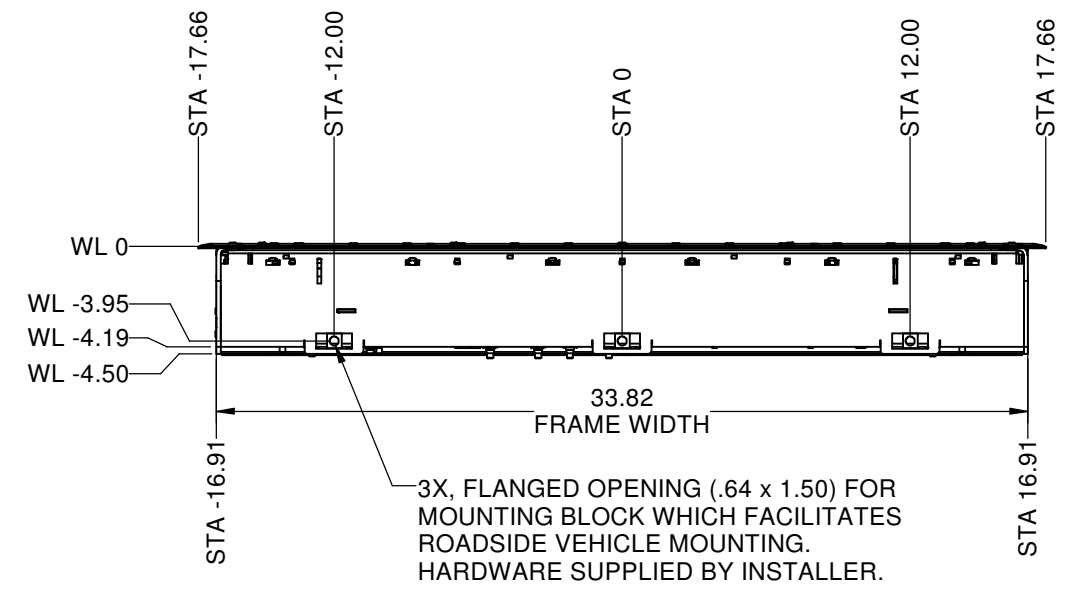
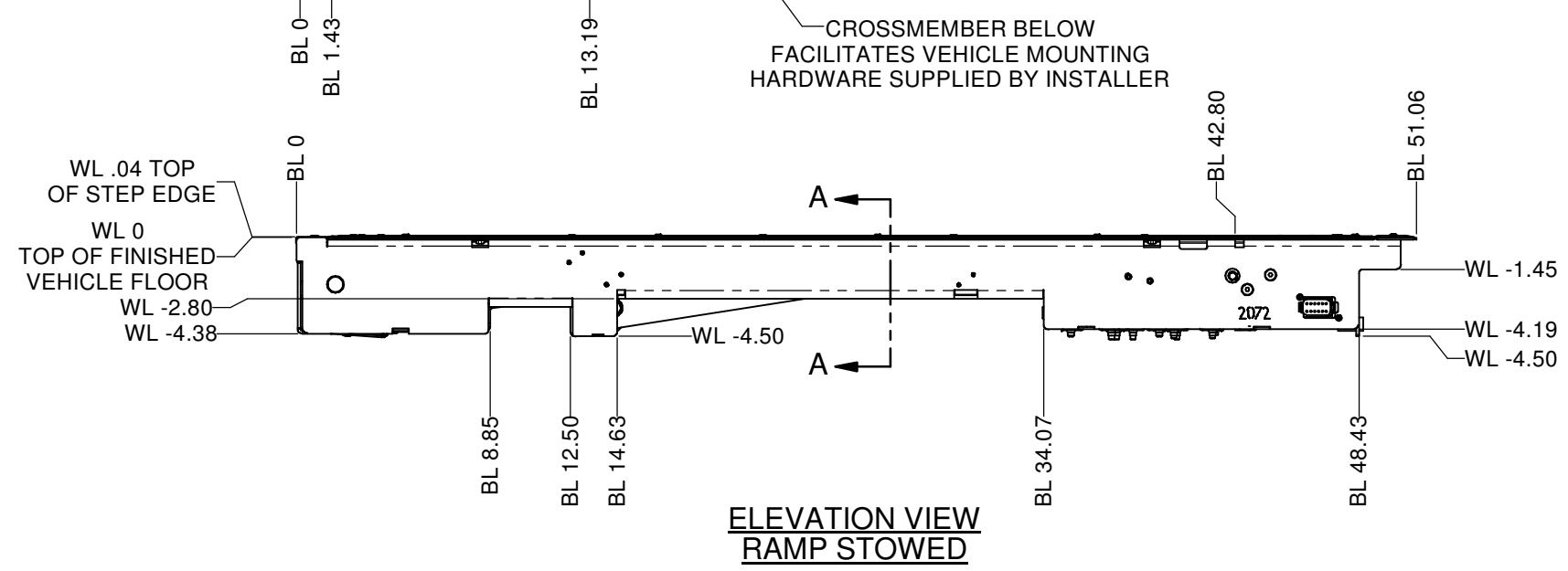
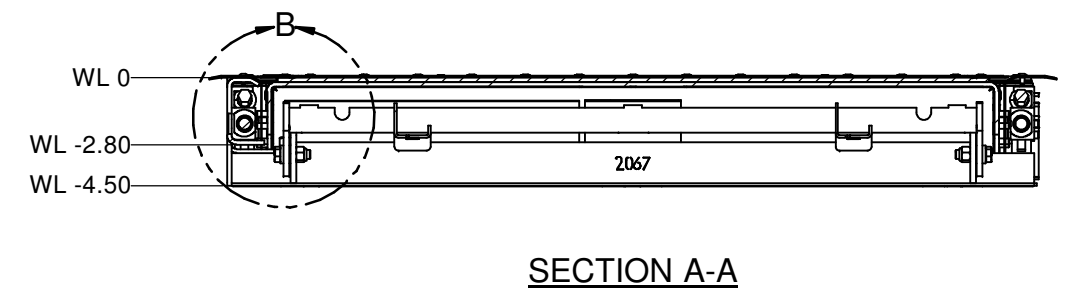
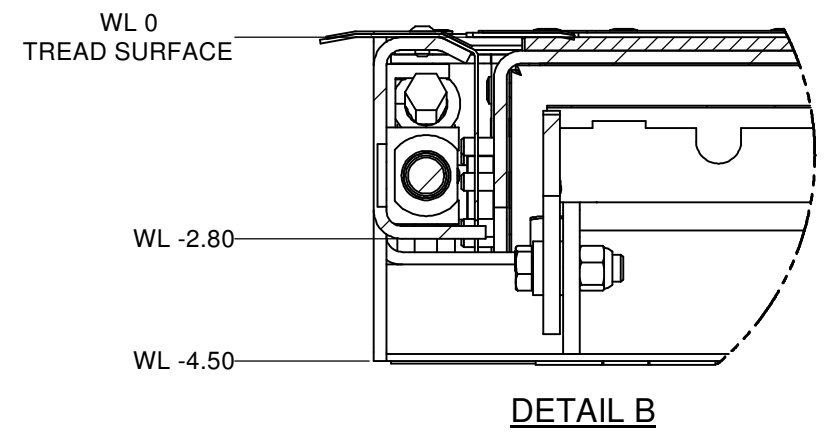
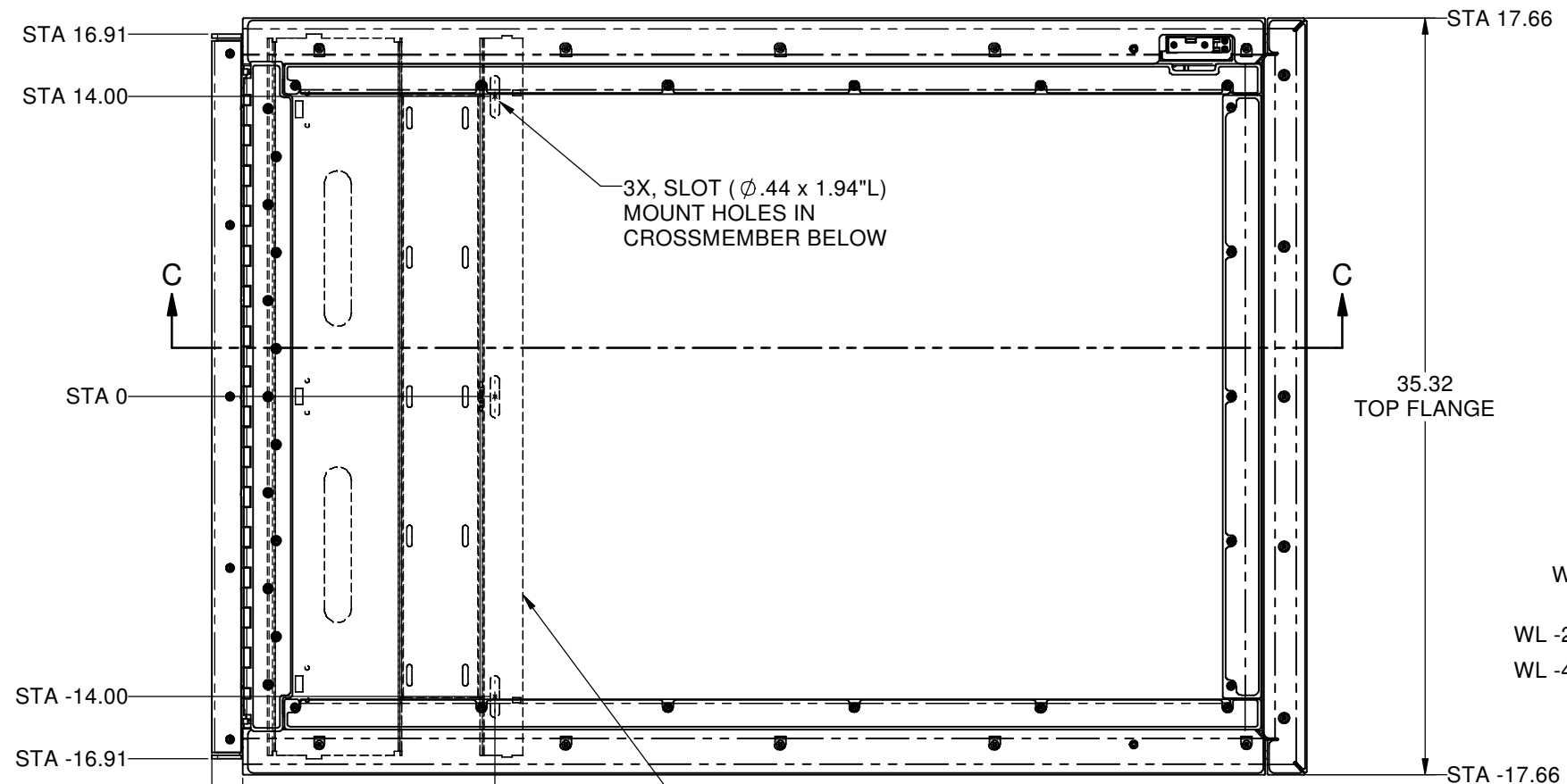
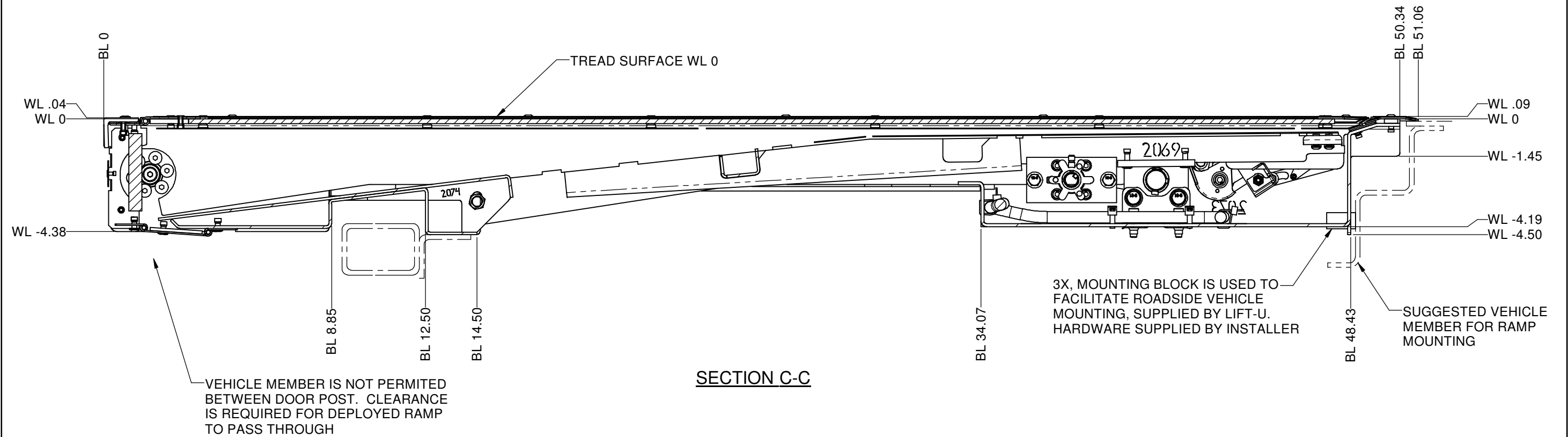


REVISIONS						
REV	ECO	DESCRIPTION	CREATED	DATE	APPROVED	DATE
A		RELEASED	BSA	2-26-14		



RAMP INSTALLATION ANGLE, SIDE KNEEL ANGLE, OR ANY COMBINATION THEREOF SHALL NOT EXCEED 2.5 °

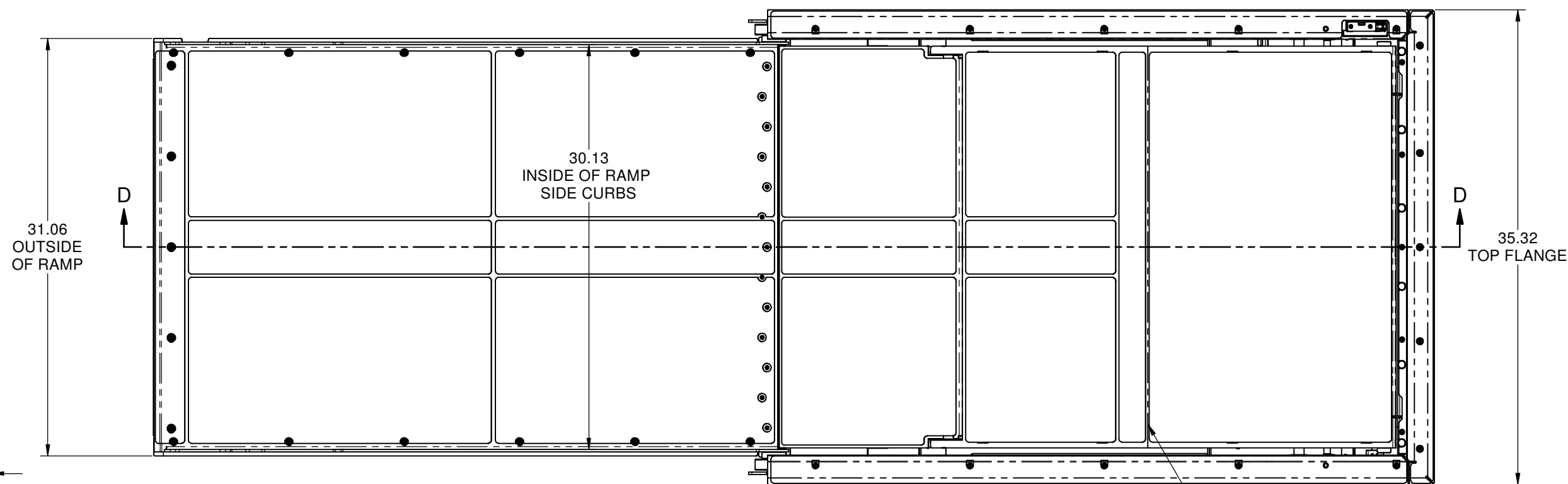
<p>LIFT-U P.O. BOX 388 ESCALON, CA. 95320 209-838-2400</p> <p>A DIVISION OF HOGAN MFG., INC.</p>	<p>THIS DOCUMENT IS AND CONTAINS CONFIDENTIAL TRADE SECRET INFORMATION OF THE COMPANY. NO PART OF IT MAY BE REPRODUCED, STORED IN A RETRIEVAL SYSTEM, OR TRANSMITTED IN ANY FORM OR BY ANY MEANS ELECTRONICALLY, PHOTOCOPIING, RECORDING OR OTHERWISE, WITHOUT THE PRIOR WRITTEN PERMISSION OF HOGAN MFG, INC. THIS DOCUMENT IS LOANED FOR THE LIMITED PURPOSES STATED HEREIN ONLY, AND REMAINS THE PROPERTY OF THE COMPANY.</p>	
	<p>TITLE RAMP OPERATION/ENVELOPE</p>	
<p>DOCUMENT NO. 746-0022</p>	<p>SHEET NO. 1 OF 5</p>	<p>REVISION A</p>



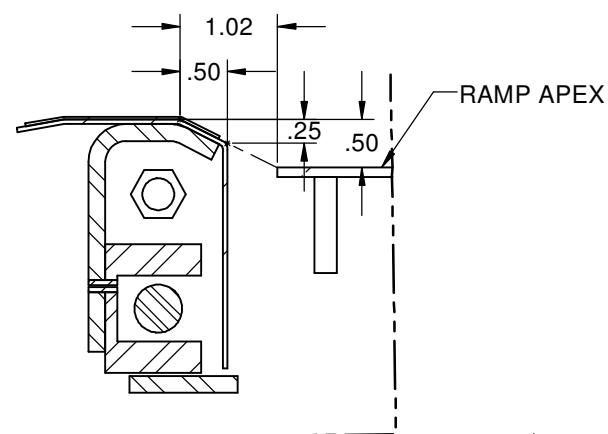
SECTION C-C

RAMP INSTALLATION ANGLE, SIDE KNEEL ANGLE, OR ANY COMBINATION THEREOF SHALL NOT EXCEED 2.5 °

 LIFT-U® P.O. BOX 398 ESCALON, CA. 95320 209-838-2400 A DIVISION OF HOGAN MFG., INC.	THIS DOCUMENT IS AND CONTAINS CONFIDENTIAL TRADE SECRET INFORMATION OF THE COMPANY. NO PART OF IT MAY BE REPRODUCED, STORED IN A RETRIEVAL SYSTEM, OR TRANSMITTED IN ANY FORM OR BY ANY MEANS ELECTRONICALLY, PHOTOCOPYING, RECORDING OR OTHERWISE, WITHOUT THE PRIOR WRITTEN PERMISSION OF HOGAN MFG, INC. THIS DOCUMENT IS LOANED FOR THE LIMITED PURPOSES STATED HEREIN ONLY, AND REMAINS THE PROPERTY OF THE COMPANY.	
	TITLE RAMP OPERATION/ENVELOPE	DOCUMENT NO. 746-0022
		REVISION A

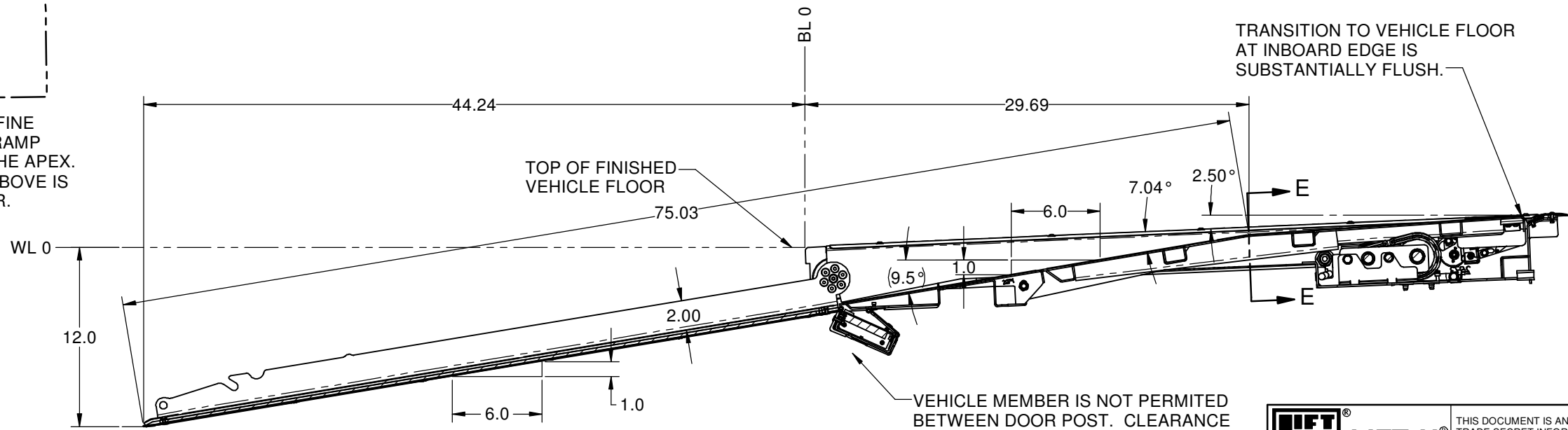


**PLAN VIEW
RAMP DEPLOYED TO GROUND LEVEL**



THE DIMENSIONS SHOWN DEFINE THE TRANSITION FROM THE RAMP TO THE VEHICLE FLOOR AT THE APEX. THE TRANSITION DEPICTED ABOVE IS TYPICAL FORWARD AND REAR.

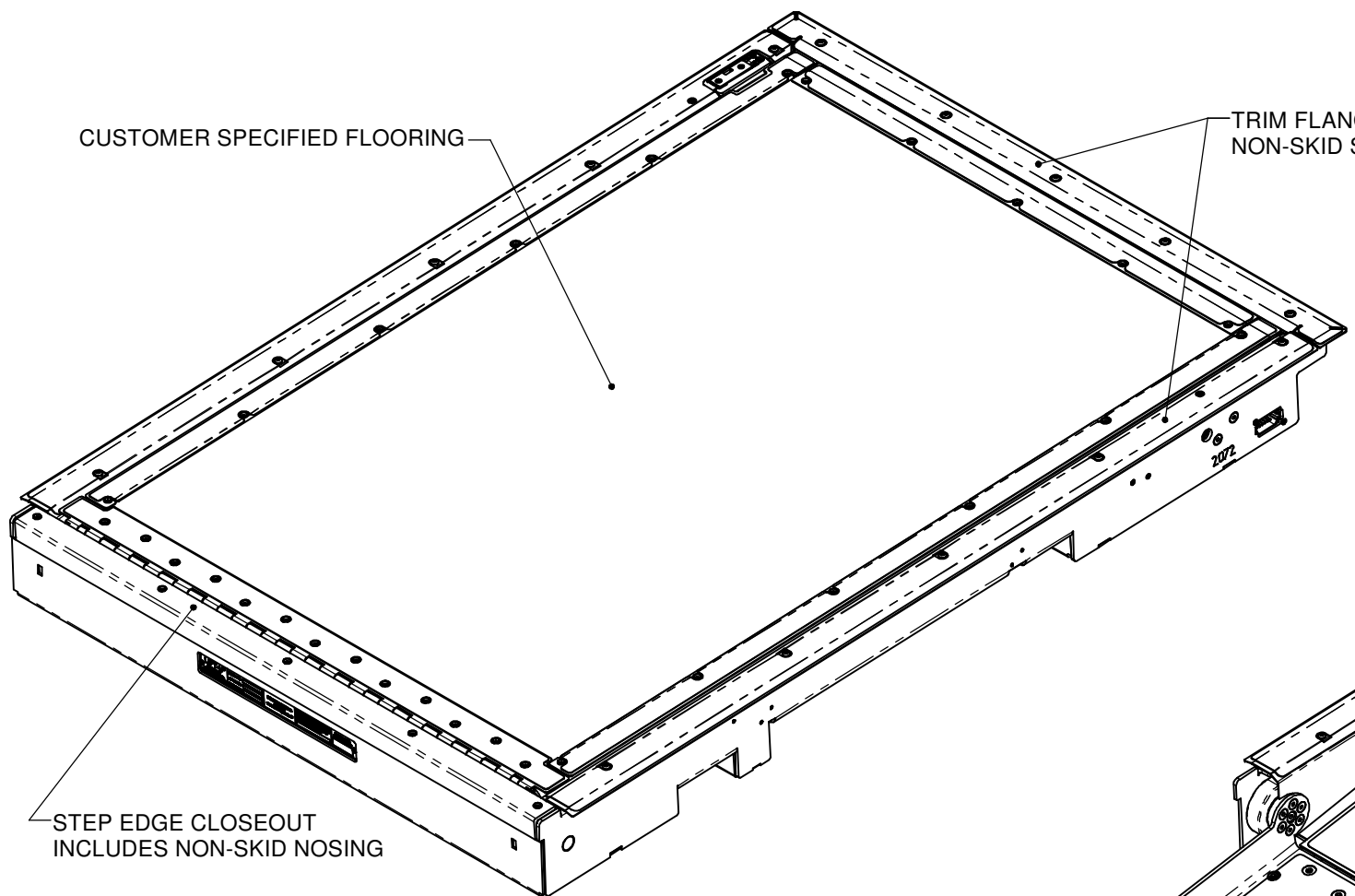
SECTION E-E



**SECTION D-D
RAMP SHOWN AT MAXIMUM CONDITION**

RAMP INSTALLATION ANGLE, SIDE KNEEL ANGLE, OR ANY COMBINATION THEREOF SHALL NOT EXCEED 2.5 °

 LIFT-U® P.O. BOX 398 ESCALON, CA. 95320 209-838-2400 A DIVISION OF HOGAN MFG., INC.	THIS DOCUMENT IS AND CONTAINS CONFIDENTIAL TRADE SECRET INFORMATION OF THE COMPANY. NO PART OF IT MAY BE REPRODUCED, STORED IN A RETRIEVAL SYSTEM, OR TRANSMITTED IN ANY FORM OR BY ANY MEANS ELECTRONICALLY, PHOTOCOPIED, RECORDED OR OTHERWISE, WITHOUT THE PRIOR WRITTEN PERMISSION OF HOGAN MFG., INC. THIS DOCUMENT IS LOANED FOR THE LIMITED PURPOSES STATED HEREIN ONLY, AND REMAINS THE PROPERTY OF THE COMPANY.	
	TITLE RAMP OPERATION/ENVELOPE	
DOCUMENT NO. 746-0022	SHEET NO. 3 OF 5	REVISION A

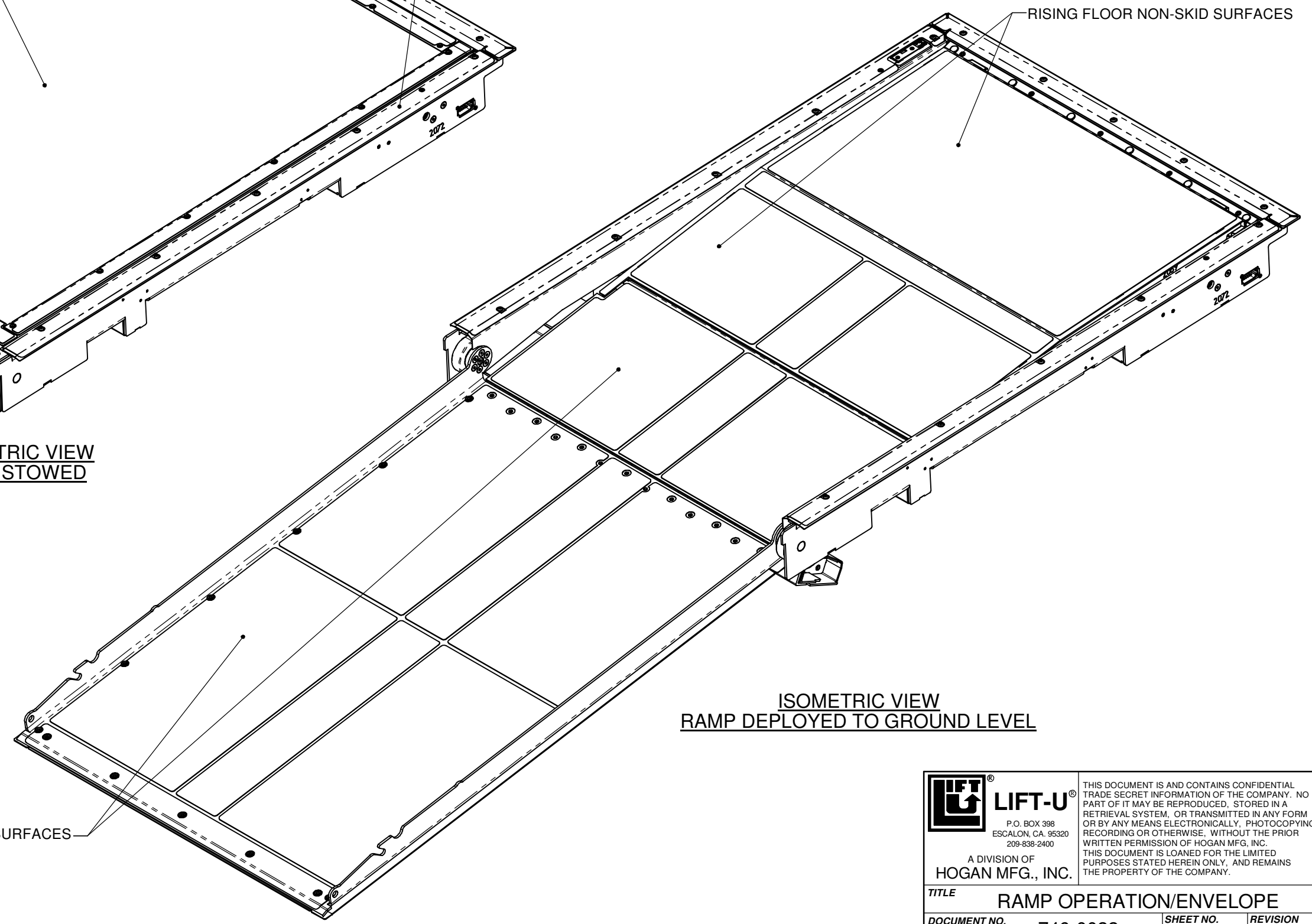


ISOMETRIC VIEW
RAMP STOWED

TRIM FLANGES INCLUDE
NON-SKID SURFACE

CUSTOMER SPECIFIED FLOORING

STEP EDGE CLOSEOUT
INCLUDES NON-SKID NOSING



ISOMETRIC VIEW
RAMP DEPLOYED TO GROUND LEVEL

RISING FLOOR NON-SKID SURFACES

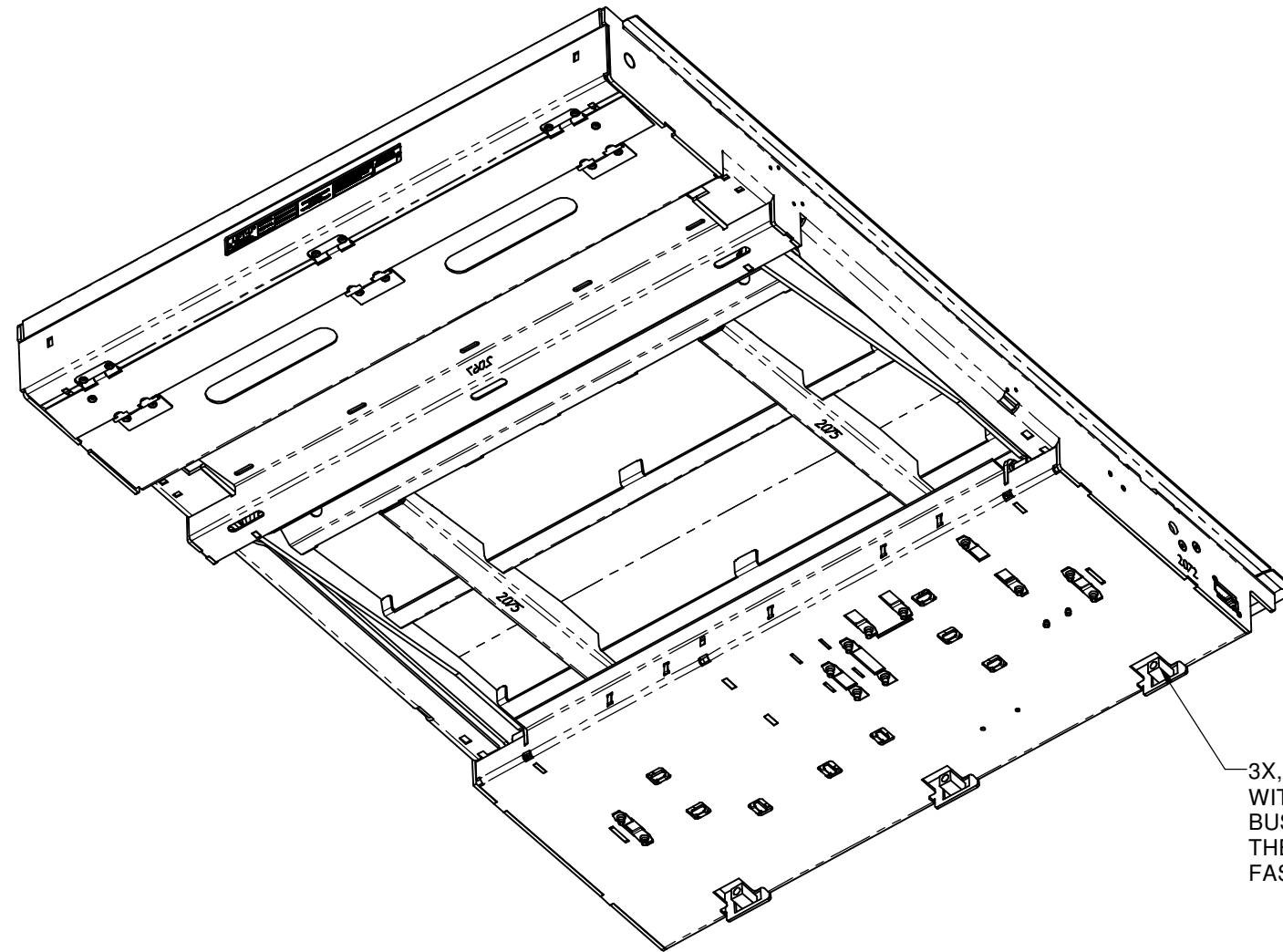
RAMP NON-SKID SURFACES

LIFT-U[®]
P.O. BOX 398
ESCALON, CA. 95320
209-838-2400

A DIVISION OF
HOGAN MFG., INC.

THIS DOCUMENT IS AND CONTAINS CONFIDENTIAL TRADE SECRET INFORMATION OF THE COMPANY. NO PART OF IT MAY BE REPRODUCED, STORED IN A RETRIEVAL SYSTEM, OR TRANSMITTED IN ANY FORM OR BY ANY MEANS ELECTRONICALLY, PHOTOCOPIING, RECORDING OR OTHERWISE, WITHOUT THE PRIOR WRITTEN PERMISSION OF HOGAN MFG, INC. THIS DOCUMENT IS LOANED FOR THE LIMITED PURPOSES STATED HEREIN ONLY, AND REMAINS THE PROPERTY OF THE COMPANY.

TITLE		RAMP OPERATION/ENVELOPE	
DOCUMENT NO.	746-0022	SHEET NO.	4 OF 5
		REVISION	A



3X, MOUNTING BLOCKS ARE SLIDINGLY ENGAGED WITH THE RAMP FRAME AND BOLTED FAST TO THE BUS CHASSIS BRACKET. THE MOUNTING BLOCKS ARE SUPPLIED BY LIFT-U. FASTENING HARDWARE SUPPLIED BY INSTALLER.

ISOMETRIC VIEW FROM BELOW
RAMP STOWED



LIFT-U[®]

P.O. BOX 398
ESCALON, CA. 95320
209-838-2400

A DIVISION OF
HOGAN MFG., INC.

THIS DOCUMENT IS AND CONTAINS CONFIDENTIAL TRADE SECRET INFORMATION OF THE COMPANY. NO PART OF IT MAY BE REPRODUCED, STORED IN A RETRIEVAL SYSTEM, OR TRANSMITTED IN ANY FORM OR BY ANY MEANS ELECTRONICALLY, PHOTOCOPYING, RECORDING OR OTHERWISE, WITHOUT THE PRIOR WRITTEN PERMISSION OF HOGAN MFG, INC. THIS DOCUMENT IS LOANED FOR THE LIMITED PURPOSES STATED HEREIN ONLY, AND REMAINS THE PROPERTY OF THE COMPANY.

TITLE **RAMP OPERATION/ENVELOPE**

DOCUMENT NO. **746-0022**

SHEET NO. **5 OF 5**

REVISION **A**