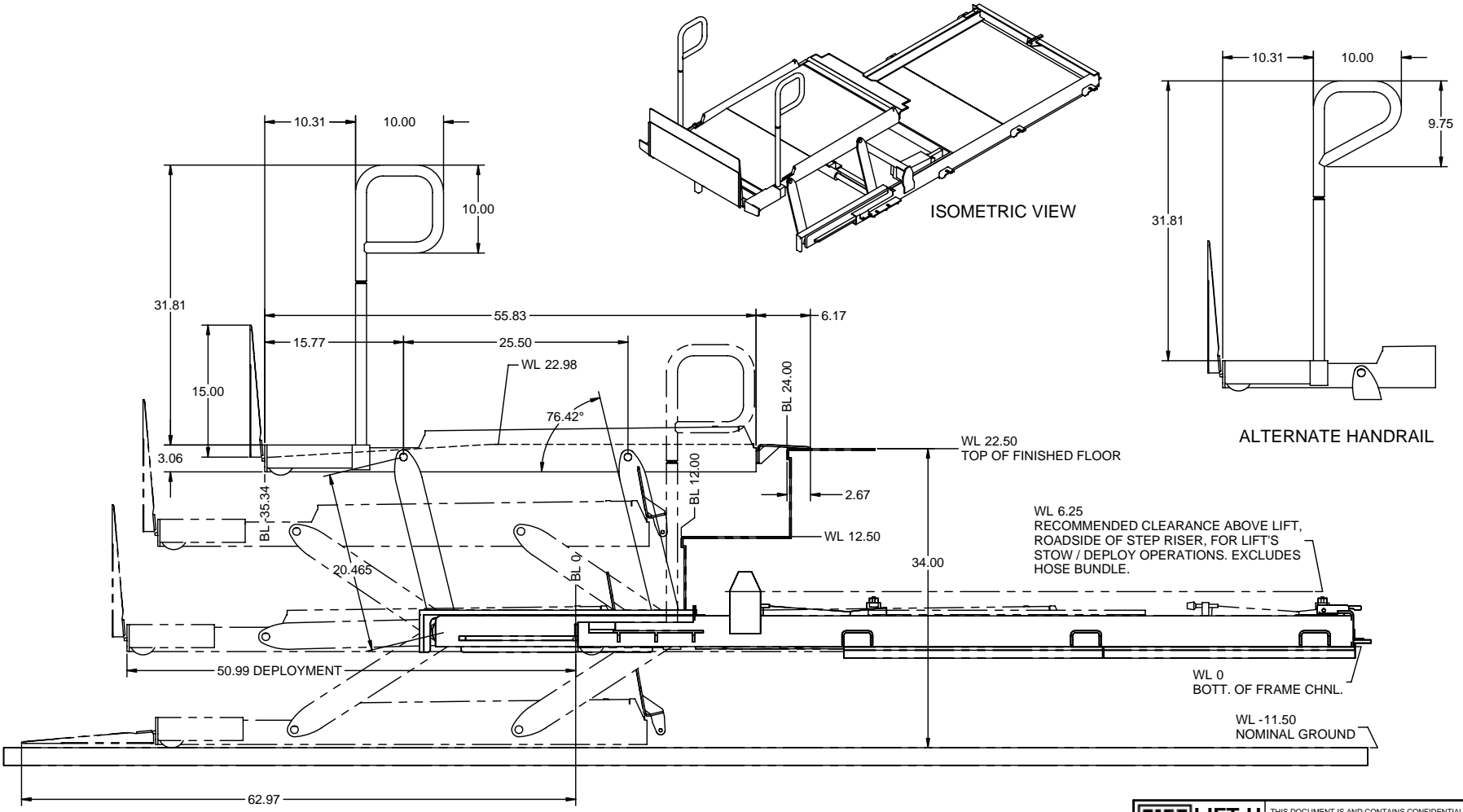
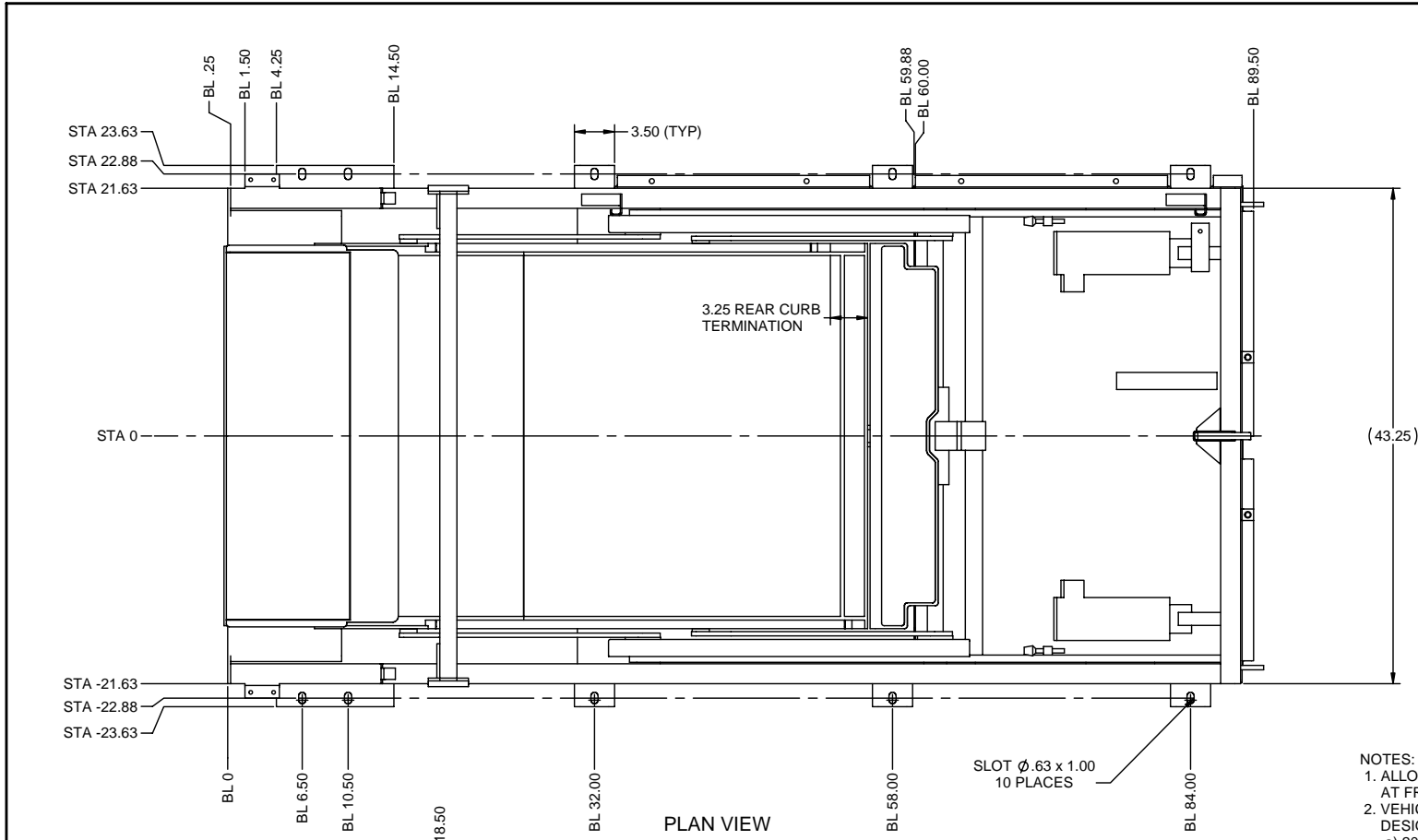


REVISIONS							
LTR	ECO	APPD	DATE	DESCRIPTION	DFTR	DATE	CHKR
B				ADDED ALTERNATE HANDRAIL VIEW	DPJ	7/13/2005	

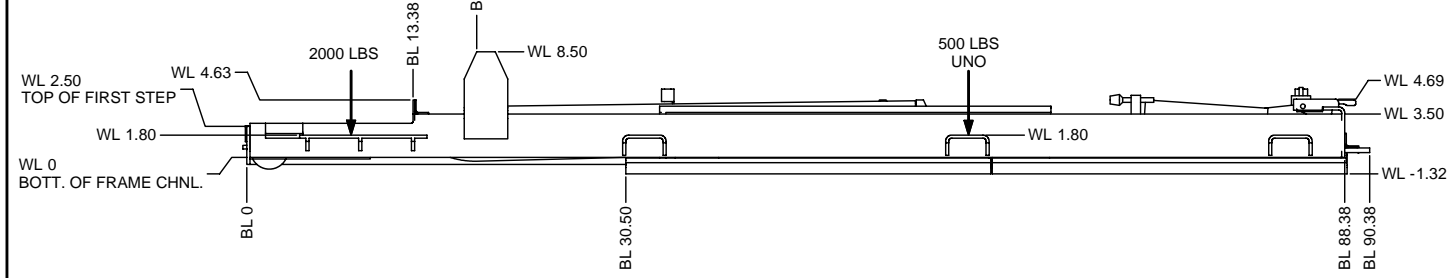


	LIFT-U P.O. BOX 398 ESCALON, CA. 95320 209-838-2400	THIS DOCUMENT IS AND CONTAINS CONFIDENTIAL TRADE SECRET INFORMATION OF THE COMPANY. NO PART OF IT MAY BE REPRODUCED, STORED IN A RETRIEVAL SYSTEM, OR TRANSMITTED IN ANY FORM OR BY ANY MEANS ELECTRONICALLY, PHOTOCOPIING, RECORDING OR OTHERWISE, WITHOUT THE PRIOR WRITTEN PERMISSION OF HOGAN MFG., INC. THIS DOCUMENT IS LOANED FOR THE LIMITED PURPOSES STATED HEREIN ONLY, AND REMAINS THE PROPERTY OF THE COMPANY.
	A DIVISION OF HOGAN MFG., INC.	
TITLE LIFT OPERATION/ENVELOPE		
DOCUMENT NO. 199-0061	SHEET NO. 1 OF 3	REVISION B



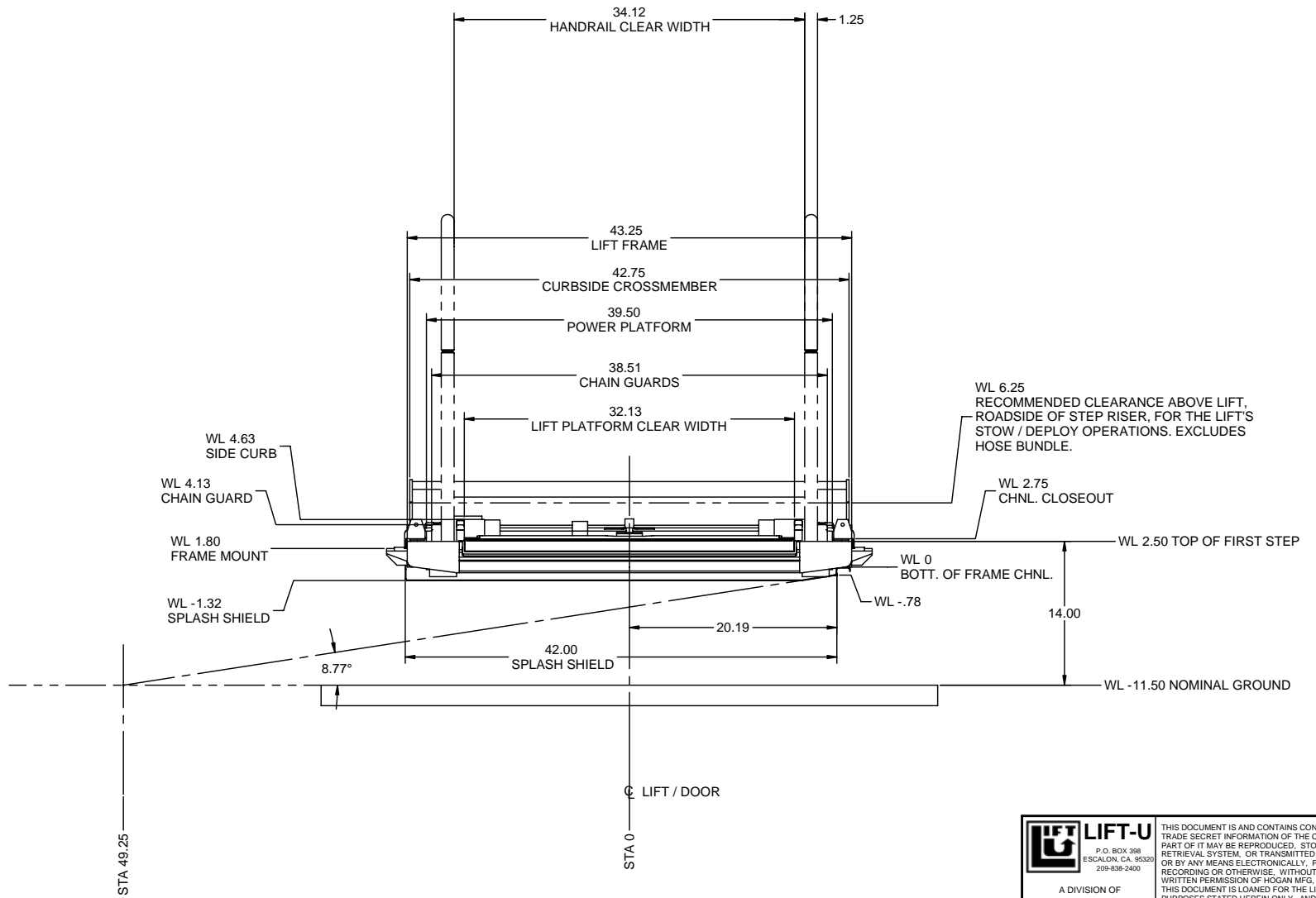
PLAN VIEW

- NOTES:
1. ALLOW 3/8" MINIMUM FOR SHIMMING AT FRAME MOUNTS.
 2. VEHICLE LIFT BRACKETS MUST BE DESIGNED TO SUPPORT:
 - a) 2000 LBS AT EACH CURBSIDE MOUNTING BRACKET, AND
 - b) 500 LBS EACH AT ALL OTHER MOUNTING BRACKETS



FORWARD ELEVATION VIEW - LIFT STOWED

 LIFT-U P.O. BOX 398 ESCALON, CA. 95320 209-838-2400	THIS DOCUMENT IS AND CONTAINS CONFIDENTIAL TRADE SECRET INFORMATION OF THE COMPANY. NO PART OF IT MAY BE REPRODUCED, STORED IN A RETRIEVAL SYSTEM, OR TRANSMITTED IN ANY FORM OR BY ANY MEANS ELECTRONICALLY, PHOTOCOPIING, RECORDING OR OTHERWISE, WITHOUT THE PRIOR WRITTEN PERMISSION OF HOGAN MFG., INC. THIS DOCUMENT IS LOANED FOR THE LIMITED PURPOSES STATED HEREIN ONLY, AND REMAINS THE PROPERTY OF THE COMPANY.	
	A DIVISION OF HOGAN MFG., INC.	
TITLE LIFT OPERATION/ENVELOPE		
DOCUMENT NO. 199-0061	SHEET NO. 2 OF 3	REVISION B



CURBSIDE ELEVATION VIEW - LIFT STOWED

 LIFT-U P.O. BOX 398 ESCALON, CA. 95320 209-838-2400	THIS DOCUMENT IS AND CONTAINS CONFIDENTIAL TRADE SECRET INFORMATION OF THE COMPANY. NO PART OF IT MAY BE REPRODUCED, STORED IN A RETRIEVAL SYSTEM, OR TRANSMITTED IN ANY FORM OR BY ANY MEANS ELECTRONICALLY, PHOTOCOPIING, RECORDING OR OTHERWISE, WITHOUT THE PRIOR WRITTEN PERMISSION OF HOGAN MFG., INC. THIS DOCUMENT IS LOANED FOR THE LIMITED PURPOSES STATED HEREIN ONLY, AND REMAINS THE PROPERTY OF THE COMPANY.	
	A DIVISION OF HOGAN MFG., INC.	
TITLE LIFT OPERATION/ENVELOPE		
DOCUMENT NO. 199-0061	SHEET NO. 3 OF 3	REVISION B