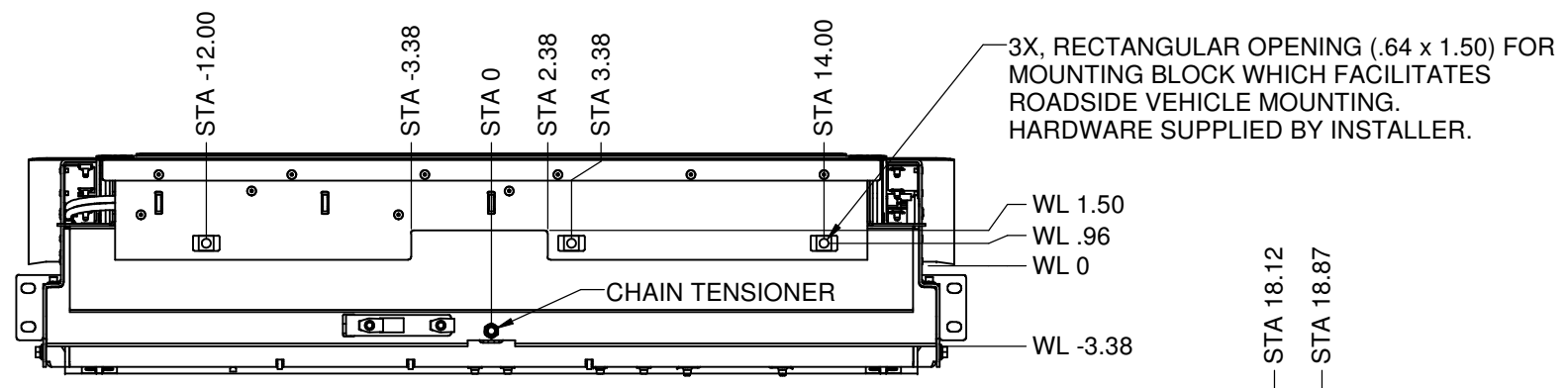
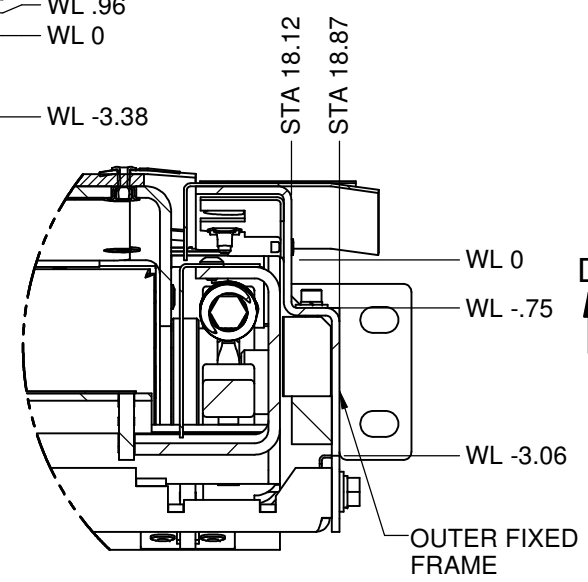


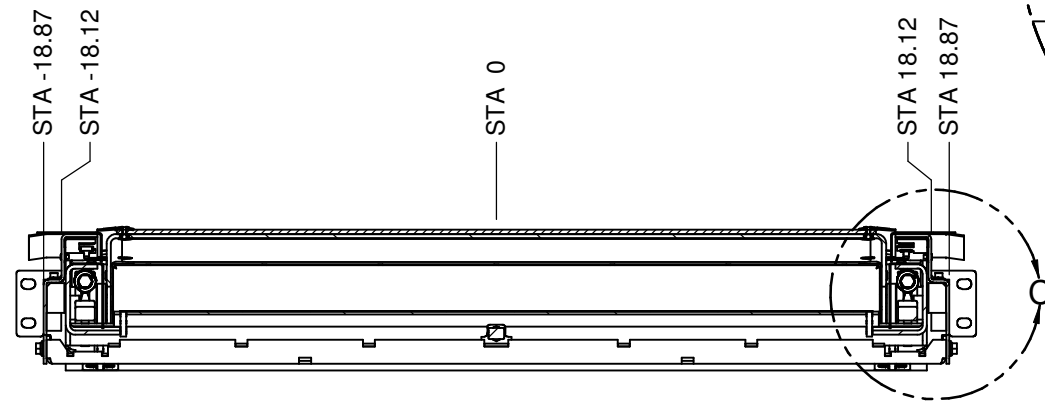
REVISIONS						
REV	ECO	DESCRIPTION	CREATED	DATE	APPROVED	DATE
A		RELEASED	DPJ	6/17/2010		



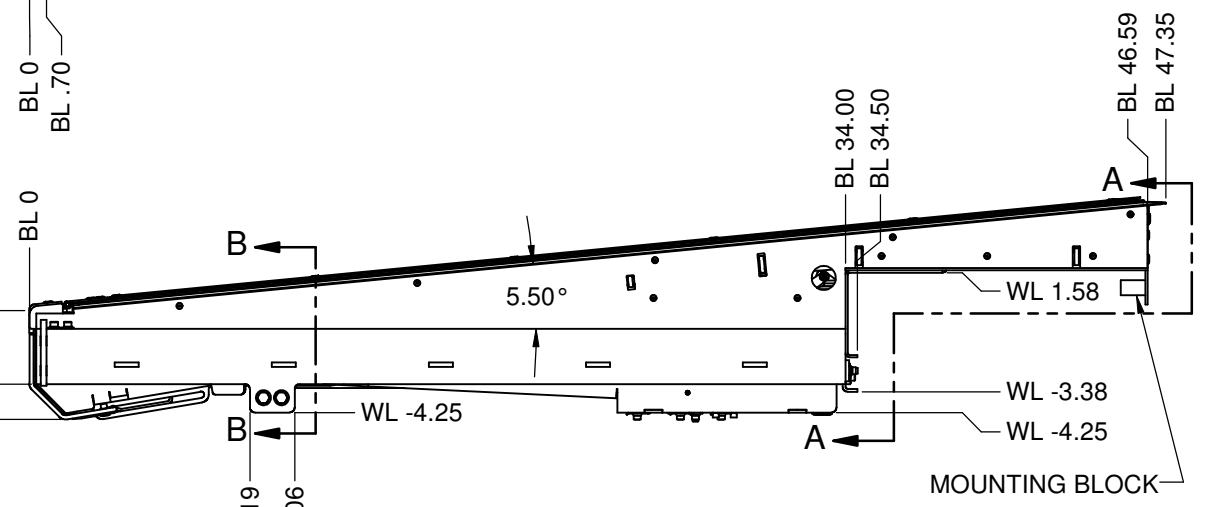
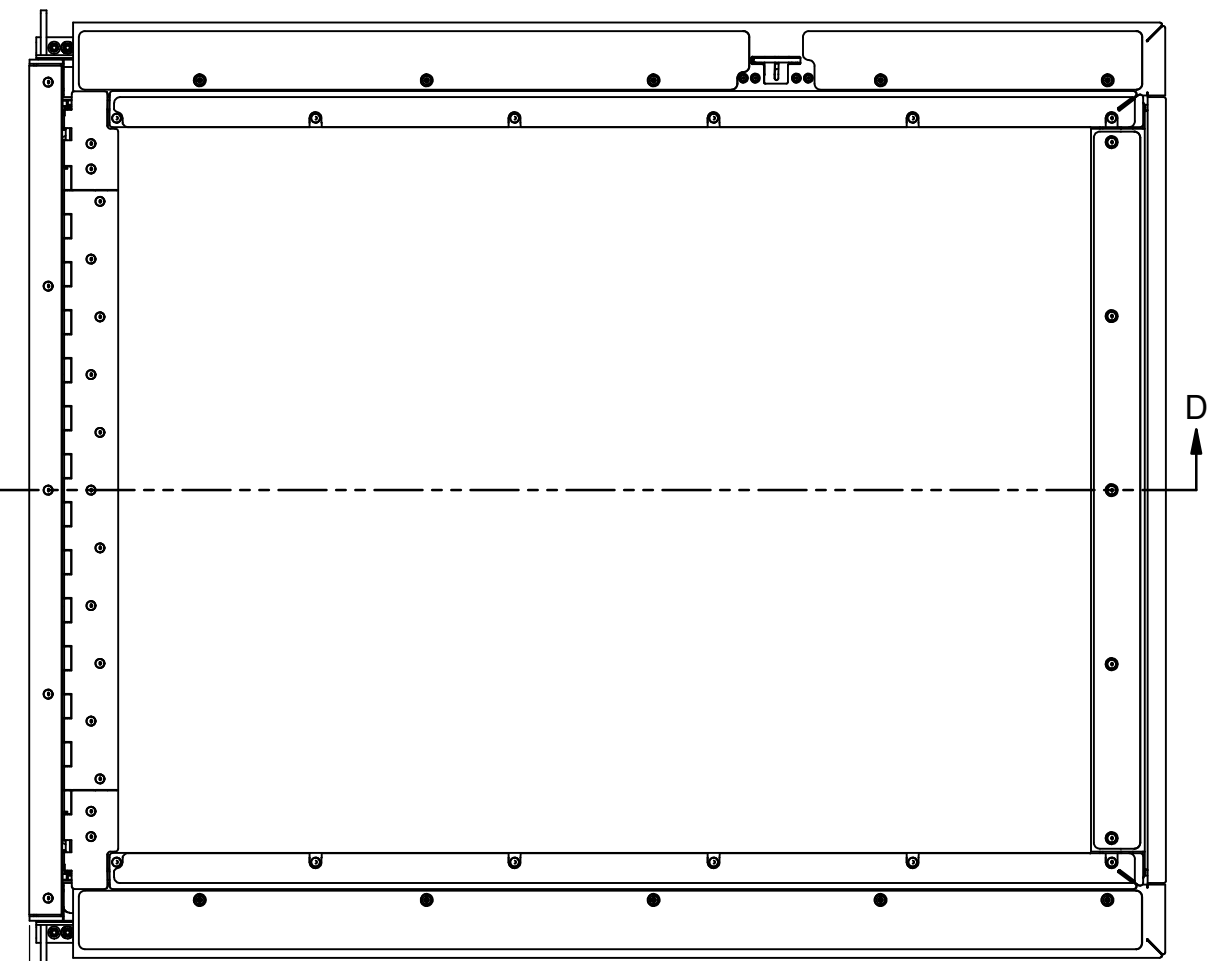
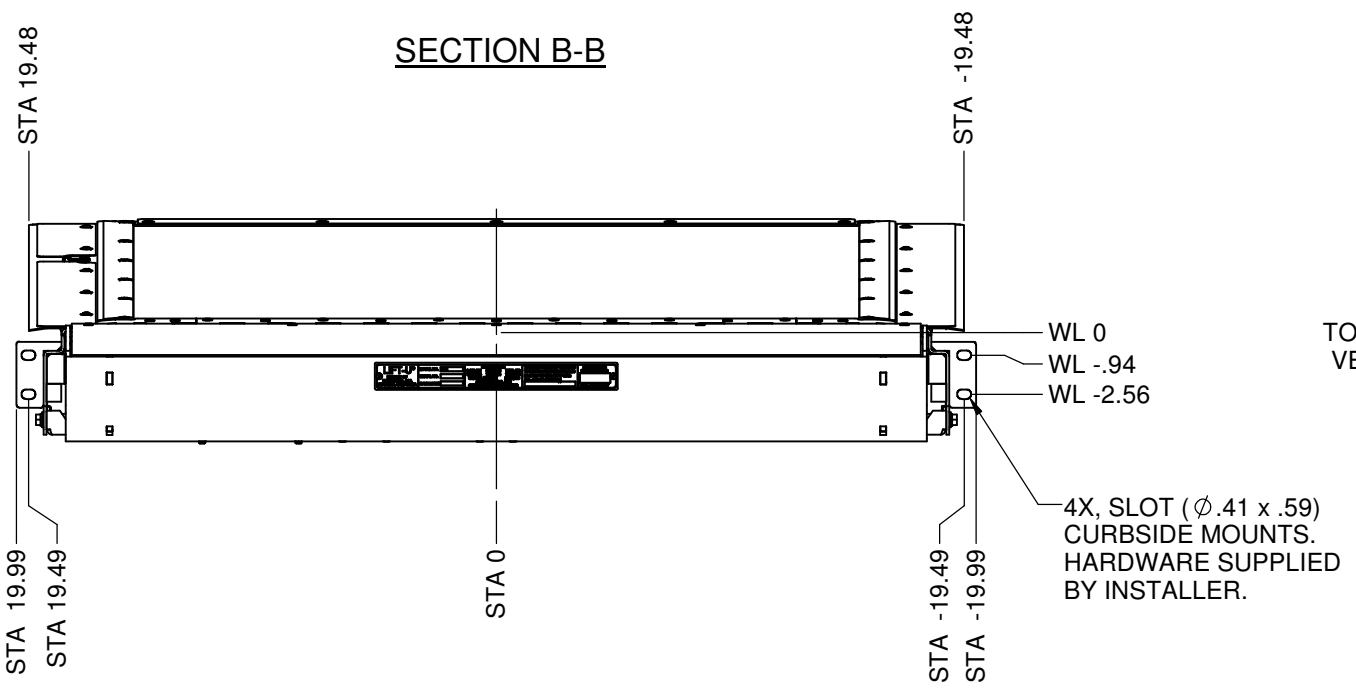
SECTION A-A



DETAIL C



SECTION B-B



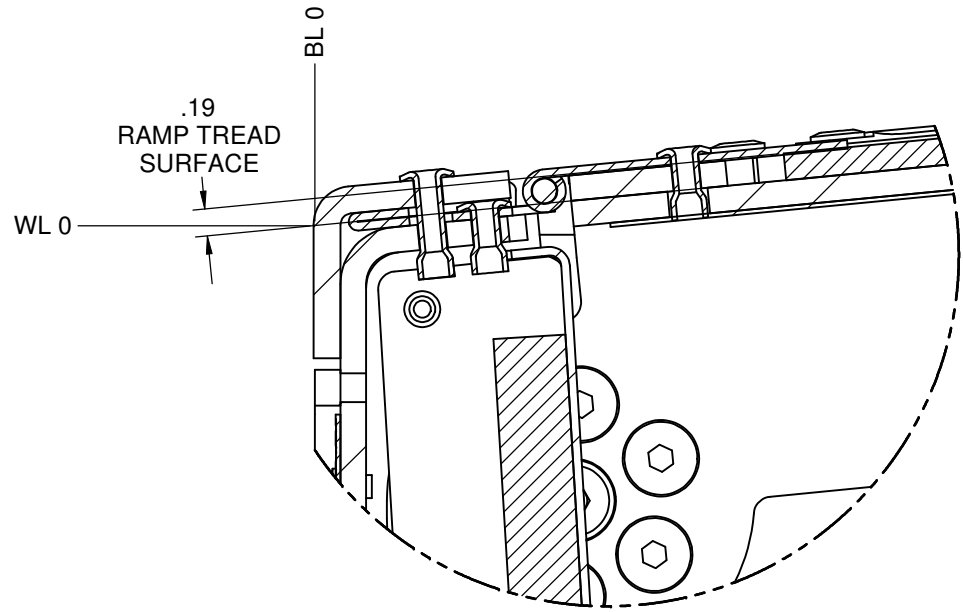
**ELEVATION VIEW
RAMP STOWED**

LIFT-U
P.O. BOX 398
ESCALON, CA. 95320
209-838-2400

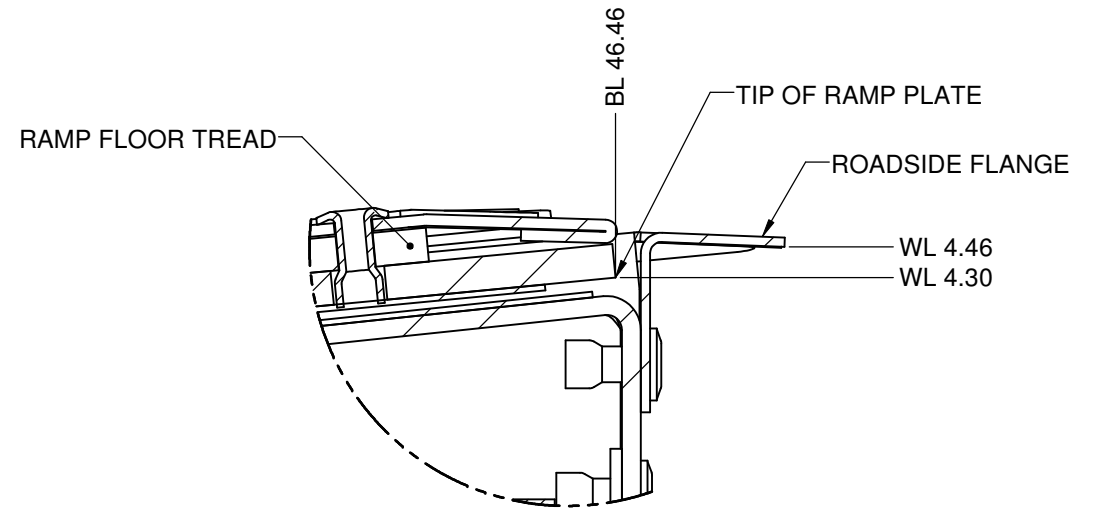
A DIVISION OF
HOGAN MFG., INC.

THIS DOCUMENT IS AND CONTAINS CONFIDENTIAL TRADE SECRET INFORMATION OF THE COMPANY. NO PART OF IT MAY BE REPRODUCED, STORED IN A RETRIEVAL SYSTEM, OR TRANSMITTED IN ANY FORM OR BY ANY MEANS ELECTRONICALLY, PHOTOCOPIING, RECORDING OR OTHERWISE, WITHOUT THE PRIOR WRITTEN PERMISSION OF HOGAN MFG, INC. THIS DOCUMENT IS LOANED FOR THE LIMITED PURPOSES STATED HEREIN ONLY, AND REMAINS THE PROPERTY OF THE COMPANY.

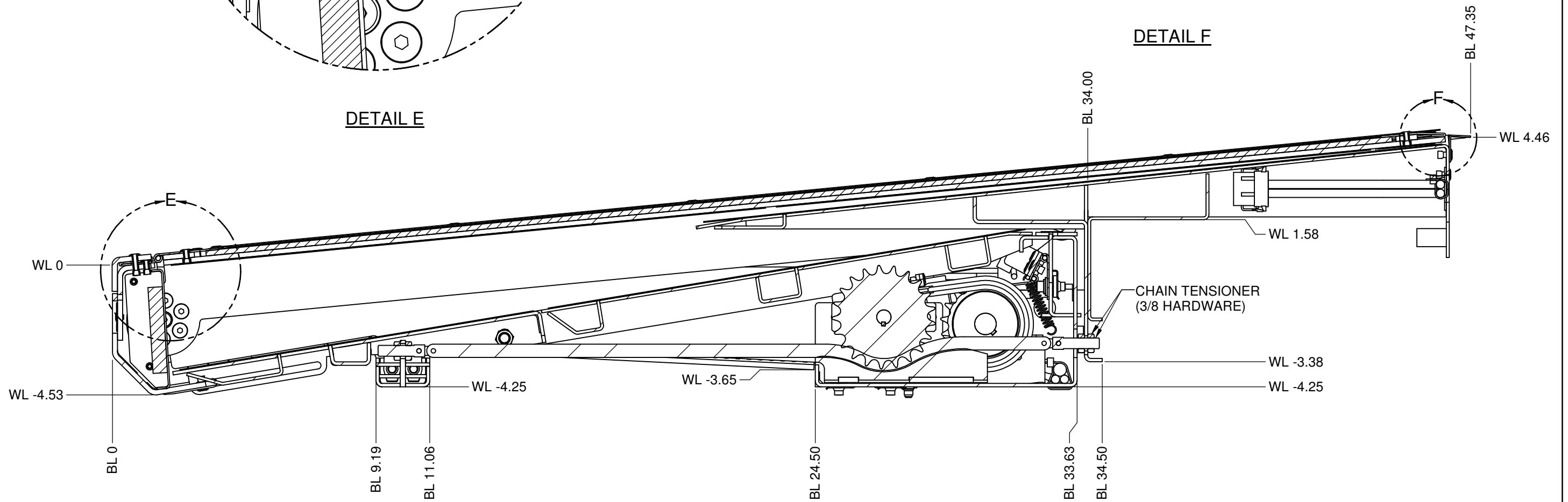
TITLE	RAMP OPERATION/ENVELOPE		
DOCUMENT NO.	741-0004	SHEET NO.	1 OF 4
REVISION	A		



DETAIL E



DETAIL F



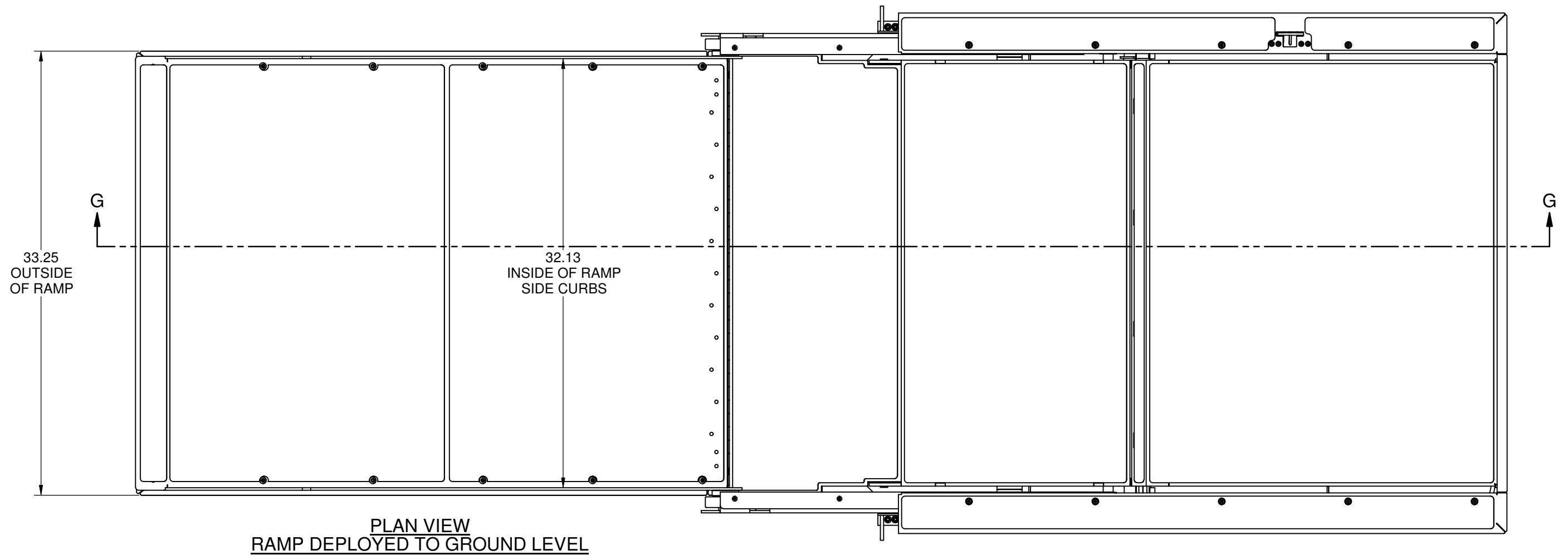
SECTION D-D



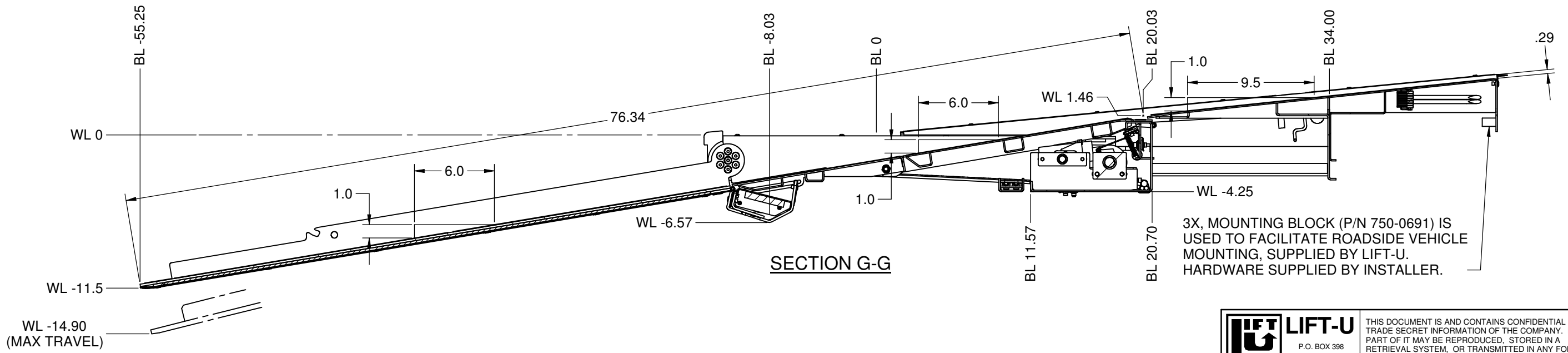
A DIVISION OF
HOGAN MFG., INC.

THIS DOCUMENT IS AND CONTAINS CONFIDENTIAL TRADE SECRET INFORMATION OF THE COMPANY. NO PART OF IT MAY BE REPRODUCED, STORED IN A RETRIEVAL SYSTEM, OR TRANSMITTED IN ANY FORM OR BY ANY MEANS ELECTRONICALLY, PHOTOCOPIING, RECORDING OR OTHERWISE, WITHOUT THE PRIOR WRITTEN PERMISSION OF HOGAN MFG, INC. THIS DOCUMENT IS LOANED FOR THE LIMITED PURPOSES STATED HEREIN ONLY, AND REMAINS THE PROPERTY OF THE COMPANY.

TITLE		RAMP OPERATION/ENVELOPE	
DOCUMENT NO.	741-0004	SHEET NO.	2 OF 4
		REVISION	A



PLAN VIEW
RAMP DEPLOYED TO GROUND LEVEL



SECTION G-G

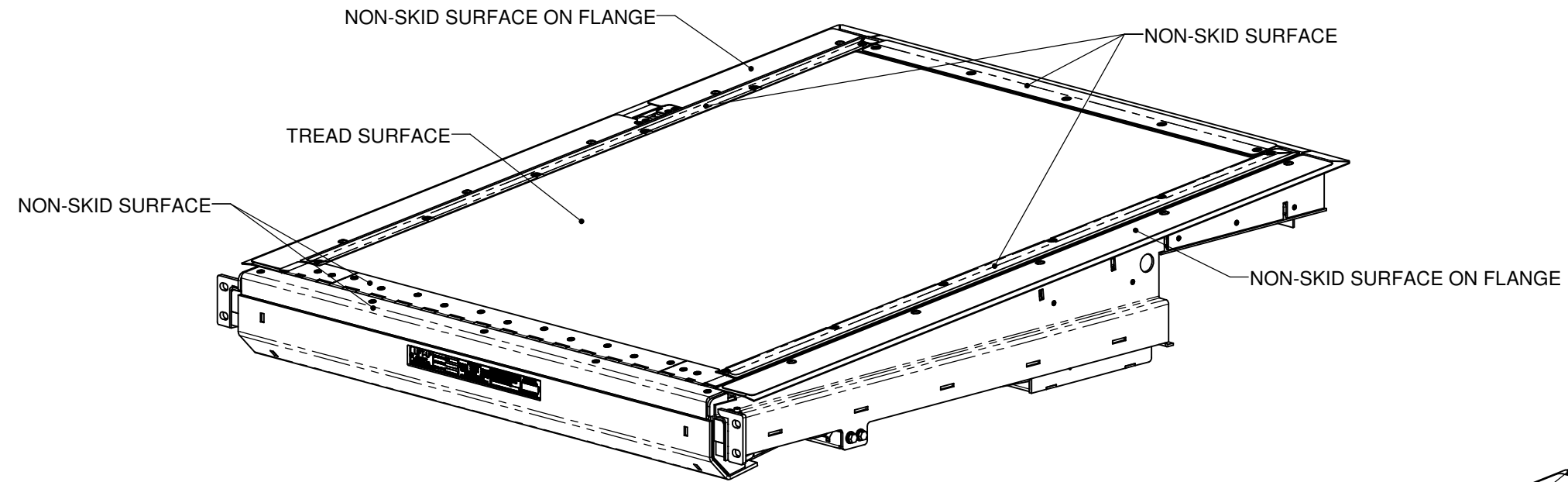
3X, MOUNTING BLOCK (P/N 750-0691) IS USED TO FACILITATE ROADSIDE VEHICLE MOUNTING, SUPPLIED BY LIFT-U. HARDWARE SUPPLIED BY INSTALLER.



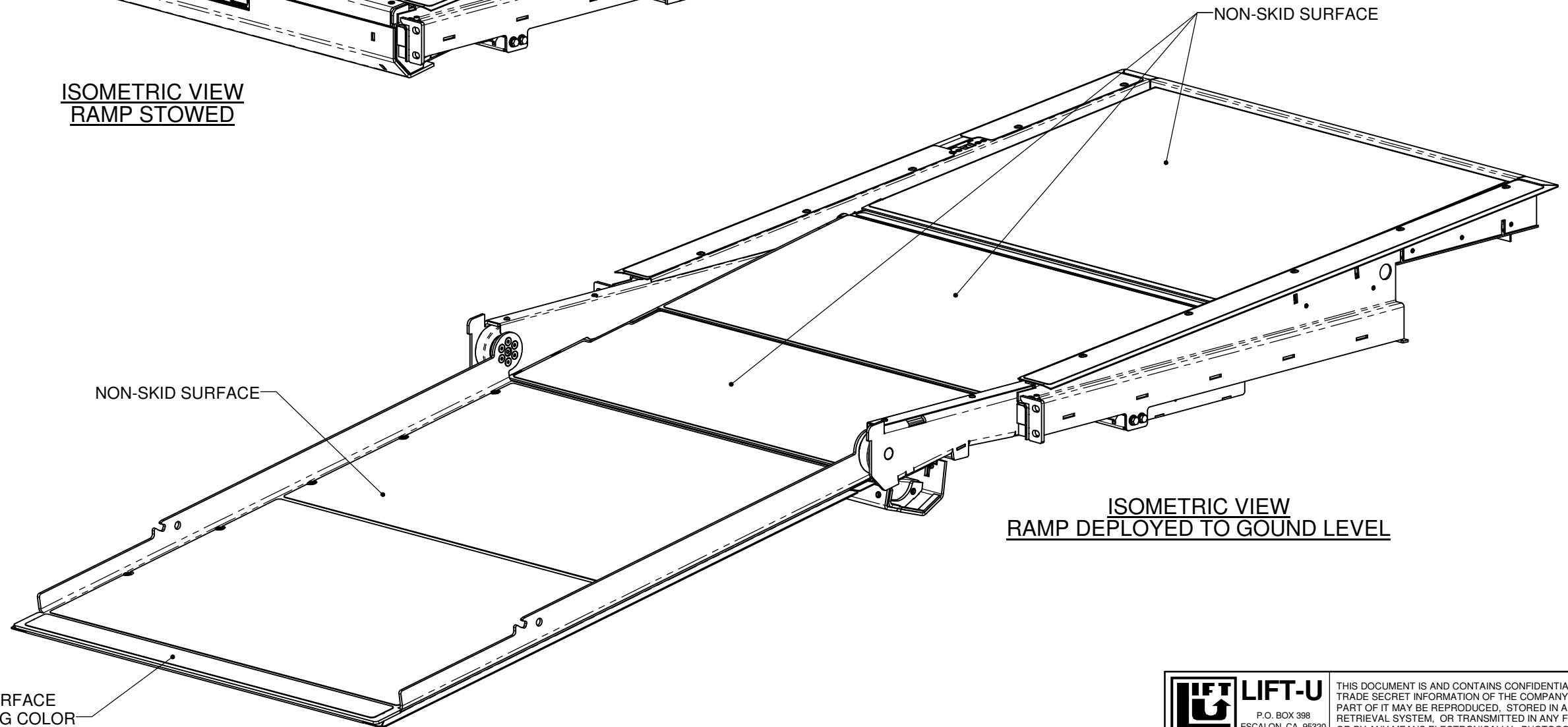
LIFT-U
P.O. BOX 398
ESCALON, CA. 95320
209-838-2400

THIS DOCUMENT IS AND CONTAINS CONFIDENTIAL TRADE SECRET INFORMATION OF THE COMPANY. NO PART OF IT MAY BE REPRODUCED, STORED IN A RETRIEVAL SYSTEM, OR TRANSMITTED IN ANY FORM OR BY ANY MEANS ELECTRONICALLY, PHOTOCOPYING, RECORDING OR OTHERWISE, WITHOUT THE PRIOR WRITTEN PERMISSION OF HOGAN MFG., INC. THIS DOCUMENT IS LOANED FOR THE LIMITED PURPOSES STATED HEREIN ONLY, AND REMAINS THE PROPERTY OF THE COMPANY.

A DIVISION OF HOGAN MFG., INC.		TITLE RAMP OPERATION/ENVELOPE	
DOCUMENT NO. 741-0004	SHEET NO. 3 OF 4	REVISION A	



ISOMETRIC VIEW
RAMP STOWED



ISOMETRIC VIEW
RAMP DEPLOYED TO GROUND LEVEL



LIFT-U
P.O. BOX 398
ESCALON, CA. 95320
209-838-2400

THIS DOCUMENT IS AND CONTAINS CONFIDENTIAL TRADE SECRET INFORMATION OF THE COMPANY. NO PART OF IT MAY BE REPRODUCED, STORED IN A RETRIEVAL SYSTEM, OR TRANSMITTED IN ANY FORM OR BY ANY MEANS ELECTRONICALLY, PHOTOCOPYING, RECORDING OR OTHERWISE, WITHOUT THE PRIOR WRITTEN PERMISSION OF HOGAN MFG., INC. THIS DOCUMENT IS LOANED FOR THE LIMITED PURPOSES STATED HEREIN ONLY, AND REMAINS THE PROPERTY OF THE COMPANY.

A DIVISION OF
HOGAN MFG., INC.

TITLE RAMP OPERATION/ENVELOPE

DOCUMENT NO. 741-0004

SHEET NO. 4 OF 4

REVISION A