

**ADA RAMP SLOPE REQUIREMENTS FOR 12" STEP HEIGHT TO GROUND:**

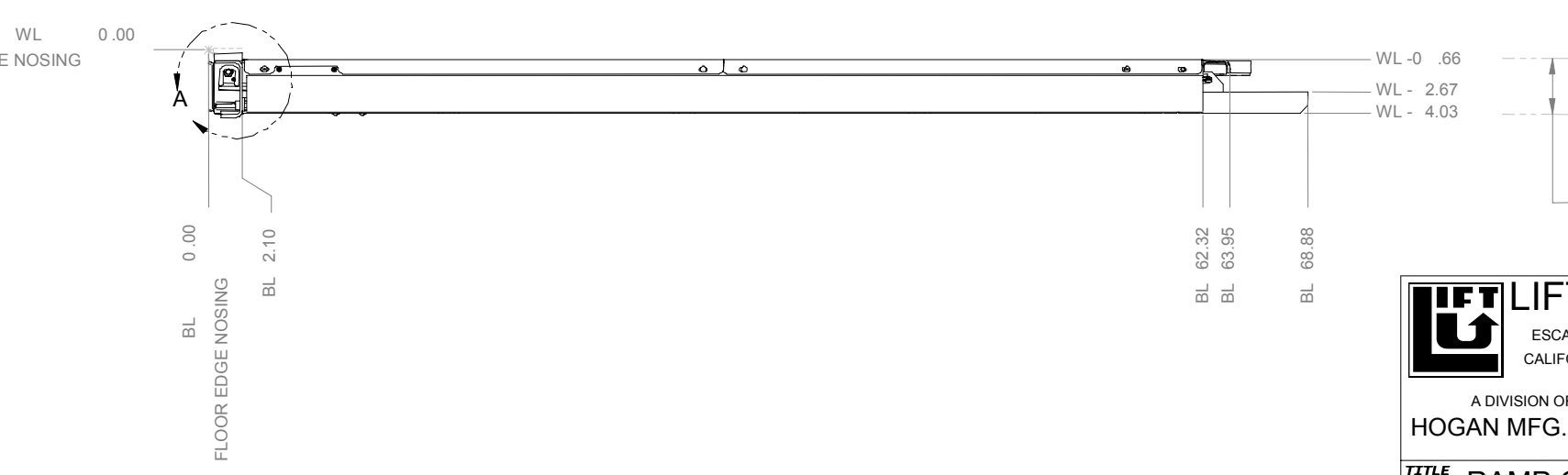
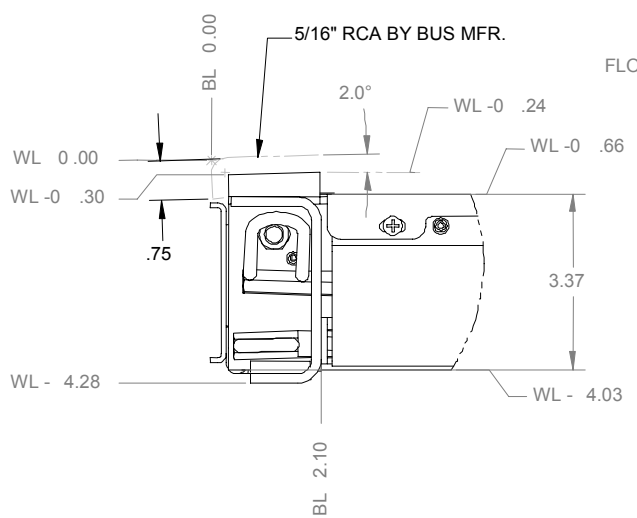
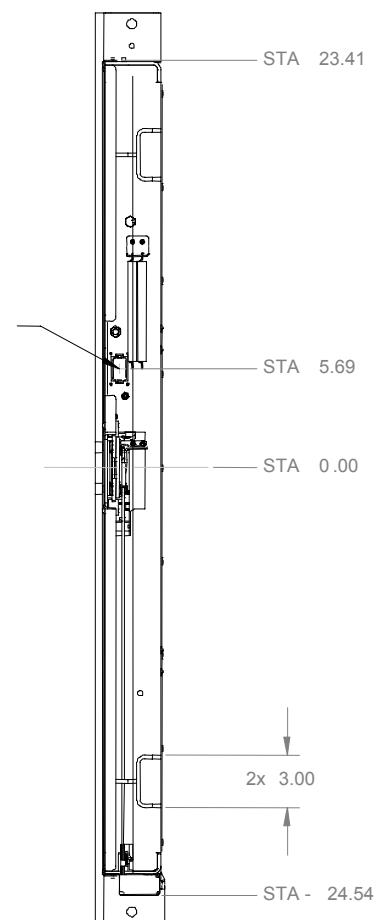
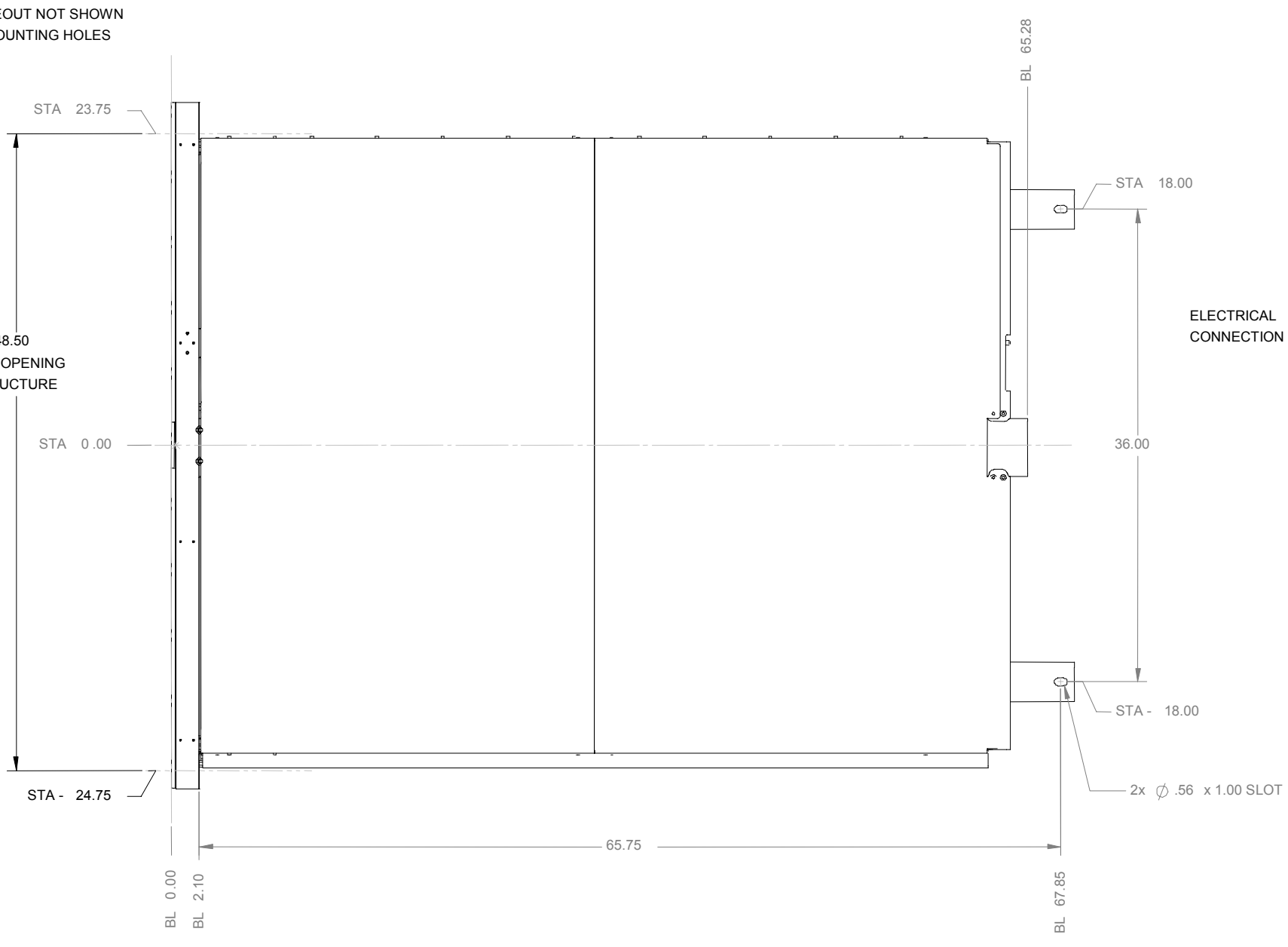
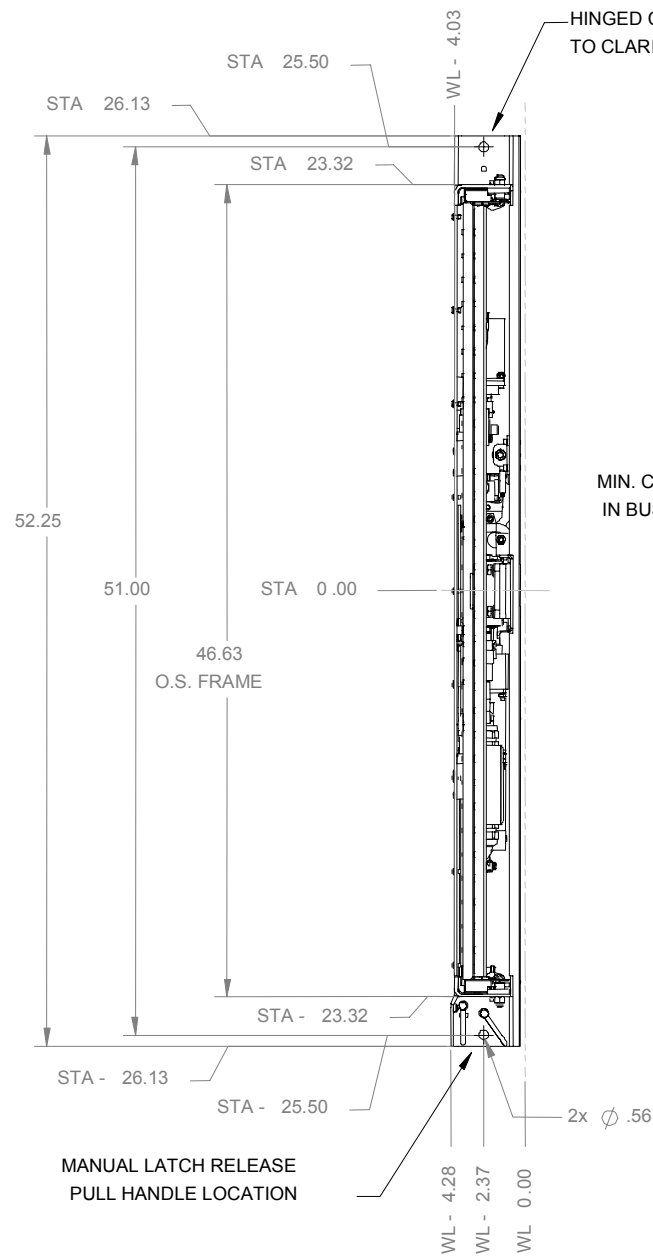
STEP HT ABOVE 6" CURB	MAXIMUM RAMP SLOPE	MINIMUM RAMP LENGTH
> 3" TO 6"	1:6 (9.462 DEG.)	36.497"
> 6" TO 9"	1:8 (7.125 DEG.)	48.373"
MAX SLOPE TO GROUND	1:4 (14.036 DEG.)	49.477"

**LIFT-U**  
ESCALON,  
CALIFORNIA

A DIVISION OF  
**HOGAN MFG., INC.**

THIS DOCUMENT IS AND CONTAINS TRADE SECRET INFORMATION OF THE COMPANY. NO PART OF IT MAY BE REPRODUCED, STORED IN A RETRIEVAL SYSTEM, OR TRANSMITTED IN ANY FORM OR BY ANY MEANS ELECTRONICALLY, PHOTOCOPYING, RECORDING OR OTHERWISE, WITHOUT THE PRIOR WRITTEN PERMISSION OF HOGAN MFG., INC. THIS DOCUMENT IS LOANED FOR THE LIMITED PURPOSES STATED HEREIN ONLY, AND REMAINS THE PROPERTY OF THE COMPANY.

<b>TITLE</b> RAMP OPERATION/ENVELOPE		
<b>DOCUMENT NO.</b> 721-0001	<b>SHEET NO.</b> 1 OF 3	<b>REVISION</b> D



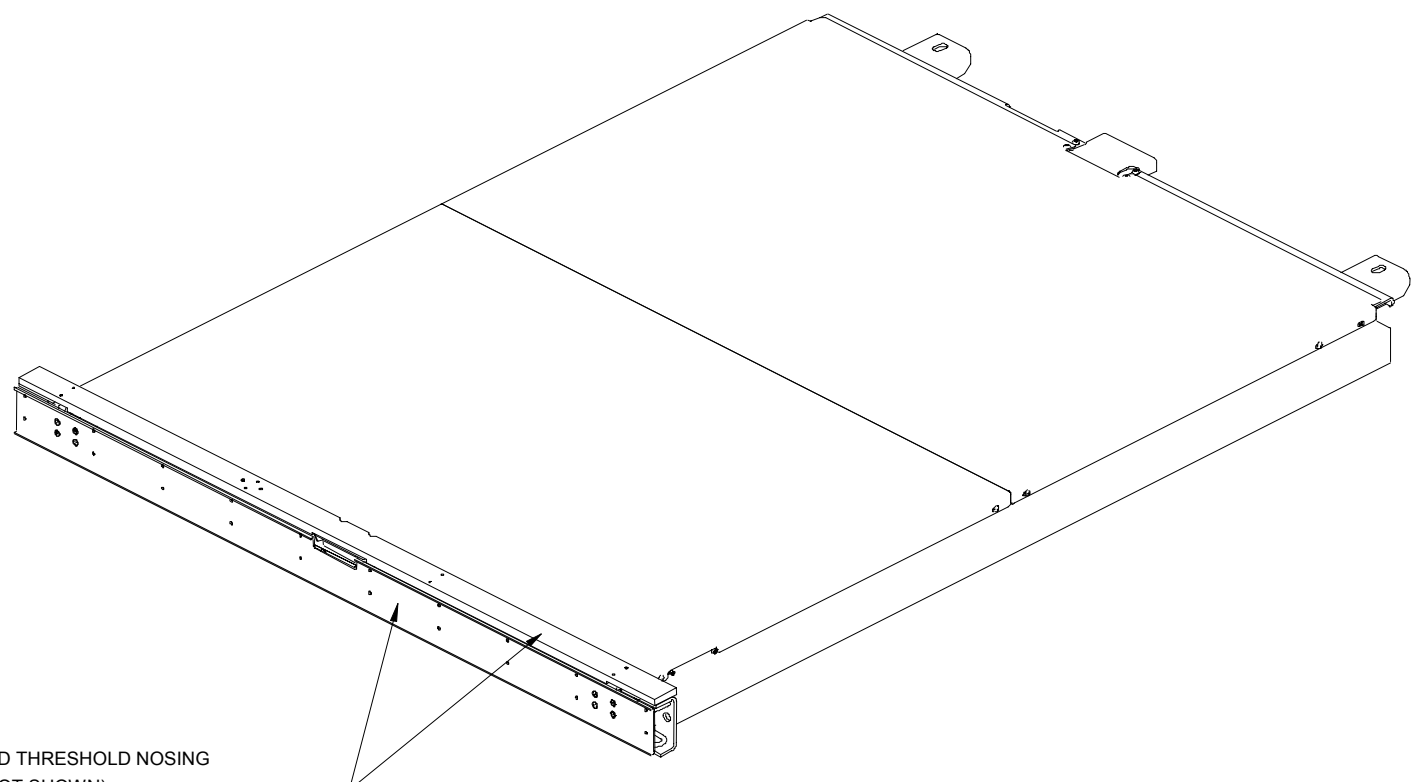
DETAIL A



A DIVISION OF  
**HOGAN MFG., INC.**

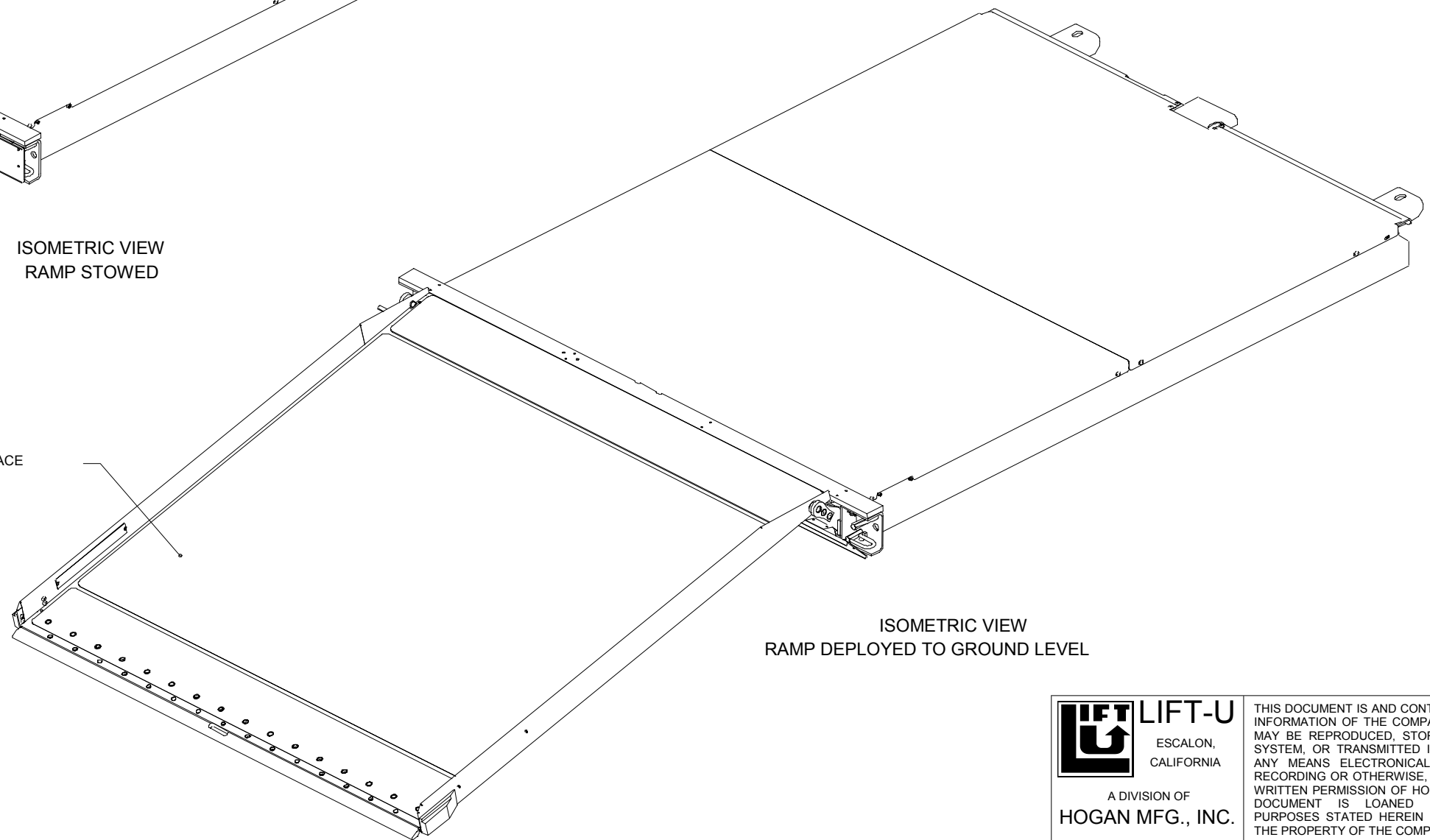
THIS DOCUMENT IS AND CONTAINS TRADE SECRET INFORMATION OF THE COMPANY. NO PART OF IT MAY BE REPRODUCED, STORED IN A RETRIEVAL SYSTEM, OR TRANSMITTED IN ANY FORM OR BY ANY MEANS ELECTRONICALLY, PHOTOCOPYING, RECORDING OR OTHERWISE, WITHOUT THE PRIOR WRITTEN PERMISSION OF HOGAN MFG., INC. THIS DOCUMENT IS LOANED FOR THE LIMITED PURPOSES STATED HEREIN ONLY, AND REMAINS THE PROPERTY OF THE COMPANY.

TITLE <b>RAMP OPERATION/ENVELOPE</b>		
DOCUMENT NO.	721-0001	SHEET NO. 2 OF 3
		REVISION <b>D</b>



RCA INSERT AND THRESHOLD NOSING  
BY BUS MFR. (NOT SHOWN)

ISOMETRIC VIEW  
RAMP STOWED



RAMP NON-SKID SURFACE

ISOMETRIC VIEW  
RAMP DEPLOYED TO GROUND LEVEL



A DIVISION OF  
**HOGAN MFG., INC.**

THIS DOCUMENT IS AND CONTAINS TRADE SECRET INFORMATION OF THE COMPANY. NO PART OF IT MAY BE REPRODUCED, STORED IN A RETRIEVAL SYSTEM, OR TRANSMITTED IN ANY FORM OR BY ANY MEANS ELECTRONICALLY, PHOTOCOPYING, RECORDING OR OTHERWISE, WITHOUT THE PRIOR WRITTEN PERMISSION OF HOGAN MFG., INC. THIS DOCUMENT IS LOANED FOR THE LIMITED PURPOSES STATED HEREIN ONLY, AND REMAINS THE PROPERTY OF THE COMPANY.

<b>TITLE</b> RAMP OPERATION/ENVELOPE		
<b>DOCUMENT NO.</b>	721-0001	<b>SHEET NO.</b> 3 OF 3
		<b>REVISION</b> D