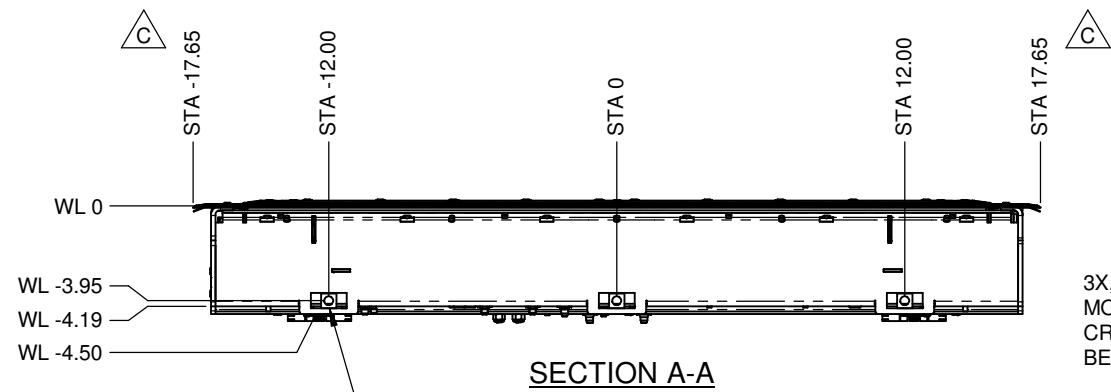
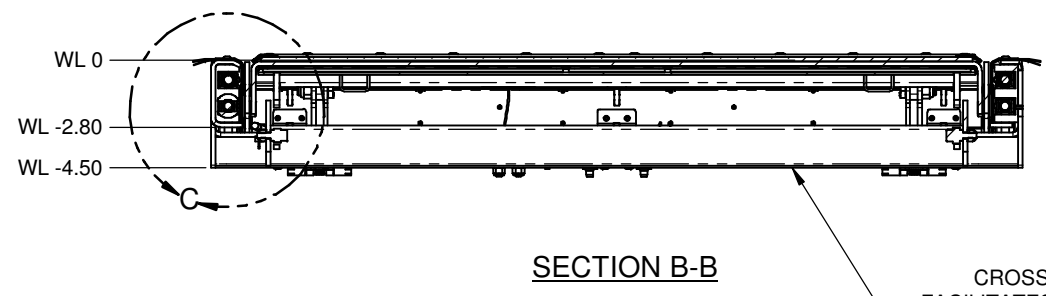


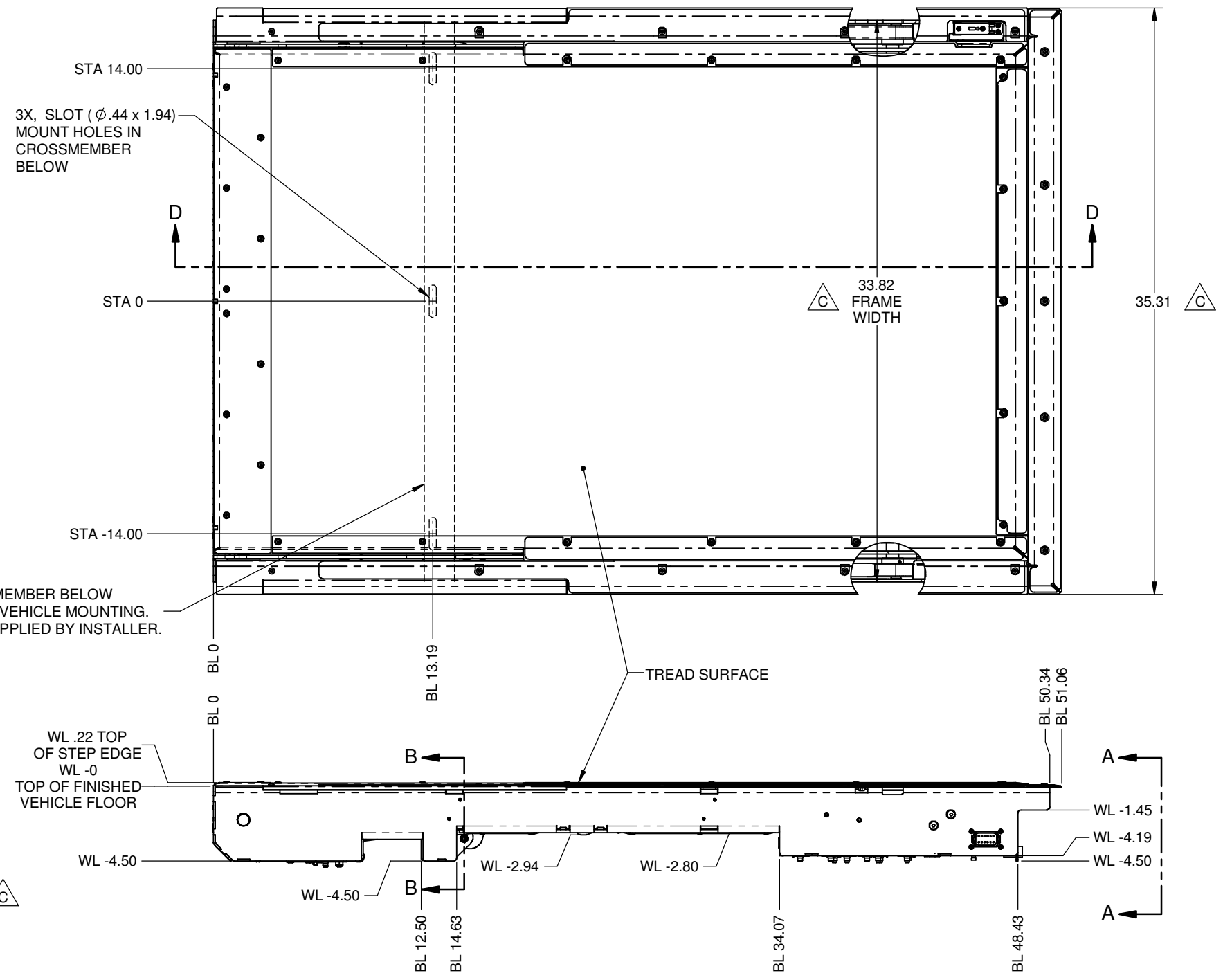
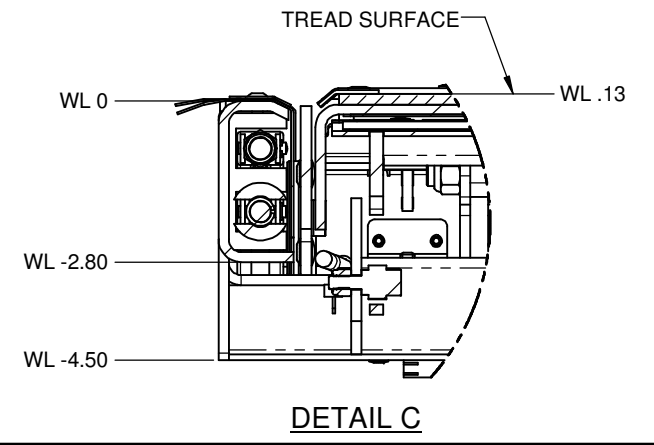
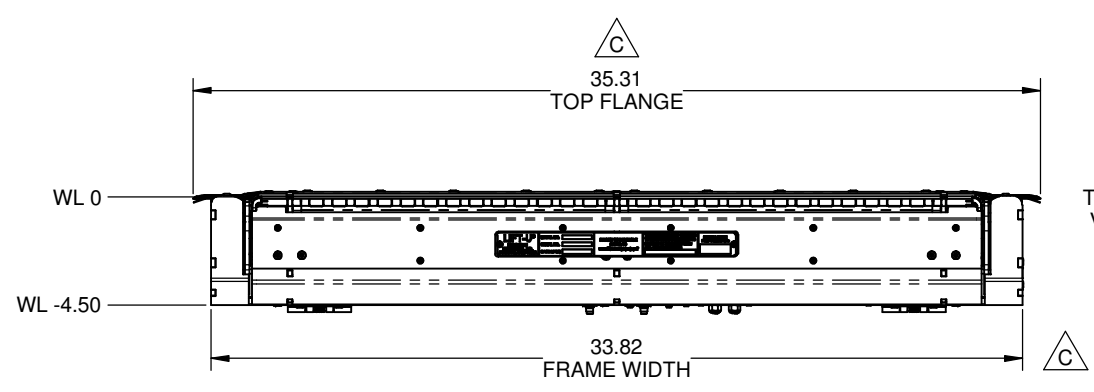
REVISIONS						
REV	ECO	DESCRIPTION	CREATED	DATE	APPROVED	DATE
B		UPDATED PER DESIGN CHANGE	WAC	2-27-13		
C		FRAME WIDTH WAS 33.73	DPJ	06/13/2013		



3X, OPENING (.64 x 1.50) FOR MOUNTING BLOCK WHICH FACILITATES ROADSIDE VEHICLE MOUNTING. HARDWARE SUPPLIED BY INSTALLER.



CROSSMEMBER BELOW FACILITATES VEHICLE MOUNTING. HARDWARE SUPPLIED BY INSTALLER.



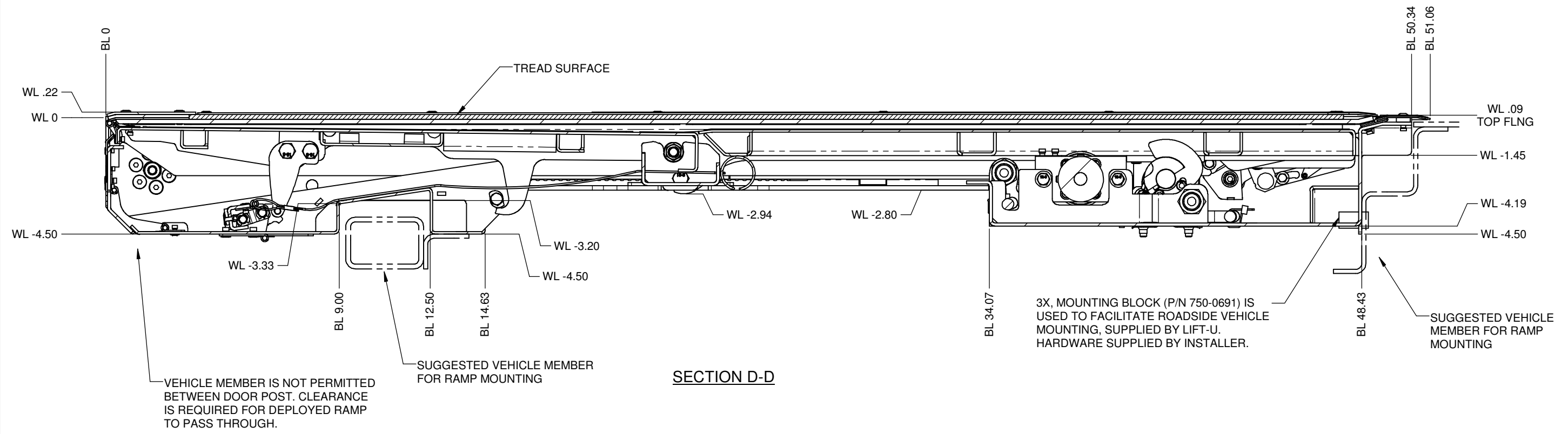
3X, SLOT (ϕ .44 x 1.94) MOUNT HOLES IN CROSSMEMBER BELOW

33.82 FRAME WIDTH


ELEVATION VIEW RAMP STOWED

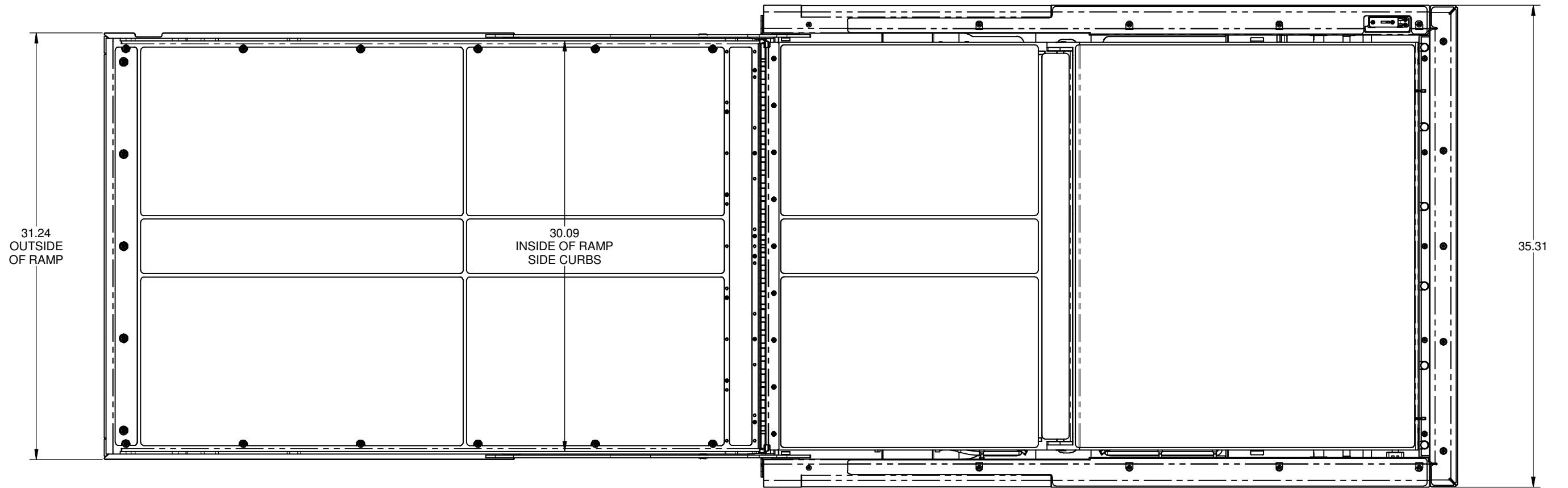
MAXIMUM INSTALLED INCLINE: 1°

	LIFT-U P.O. BOX 398 ESCALON, CA. 95320 209-838-2400	THIS DOCUMENT IS AND CONTAINS CONFIDENTIAL TRADE SECRET INFORMATION OF THE COMPANY. NO PART OF IT MAY BE REPRODUCED, STORED IN A RETRIEVAL SYSTEM, OR TRANSMITTED IN ANY FORM OR BY ANY MEANS ELECTRONICALLY, PHOTOCOPIING, RECORDING OR OTHERWISE, WITHOUT THE PRIOR WRITTEN PERMISSION OF HOGAN MFG., INC. THIS DOCUMENT IS LOANED FOR THE LIMITED PURPOSES STATED HEREIN ONLY, AND REMAINS THE PROPERTY OF THE COMPANY.
	A DIVISION OF HOGAN MFG., INC.	
TITLE RAMP OPERATION/ENVELOPE		
DOCUMENT NO. 751-0002	SHEET NO. 1 OF 5	REVISION C



MAXIMUM INSTALLED INCLINE: 1°

 LIFT-U P.O. BOX 398 ESCALON, CA. 95320 209-838-2400	THIS DOCUMENT IS AND CONTAINS CONFIDENTIAL TRADE SECRET INFORMATION OF THE COMPANY. NO PART OF IT MAY BE REPRODUCED, STORED IN A RETRIEVAL SYSTEM, OR TRANSMITTED IN ANY FORM OR BY ANY MEANS ELECTRONICALLY, PHOTOCOPYING, RECORDING OR OTHERWISE, WITHOUT THE PRIOR WRITTEN PERMISSION OF HOGAN MFG., INC. THIS DOCUMENT IS LOANED FOR THE LIMITED PURPOSES STATED HEREIN ONLY, AND REMAINS THE PROPERTY OF THE COMPANY.	
	A DIVISION OF HOGAN MFG., INC.	
TITLE RAMP OPERATION/ENVELOPE		
DOCUMENT NO. 751-0002	SHEET NO. 2 OF 5	REVISION C



PLAN VIEW
RAMP DEPLOYED TO GROUND LEVEL

MAXIMUM INSTALLED INCLINE: 1°



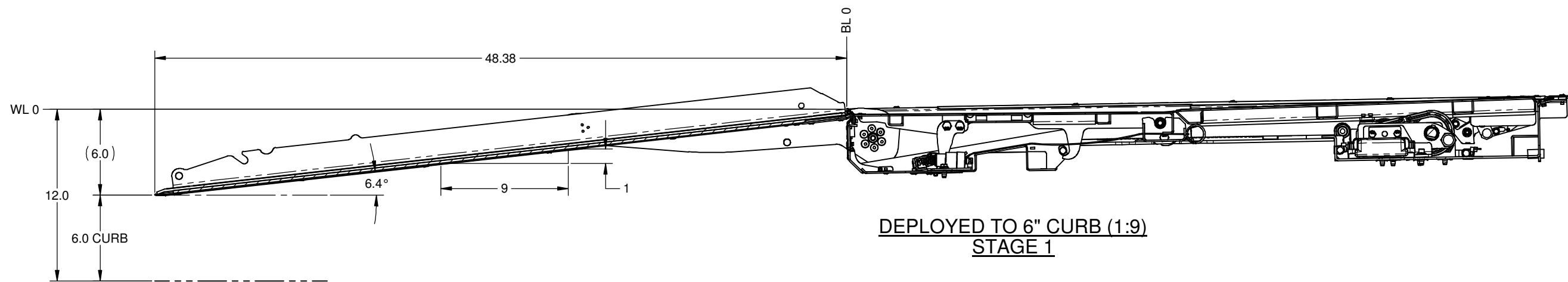
LIFT-U®

P.O. BOX 398
 ESCALON, CA. 95320
 209-838-2400

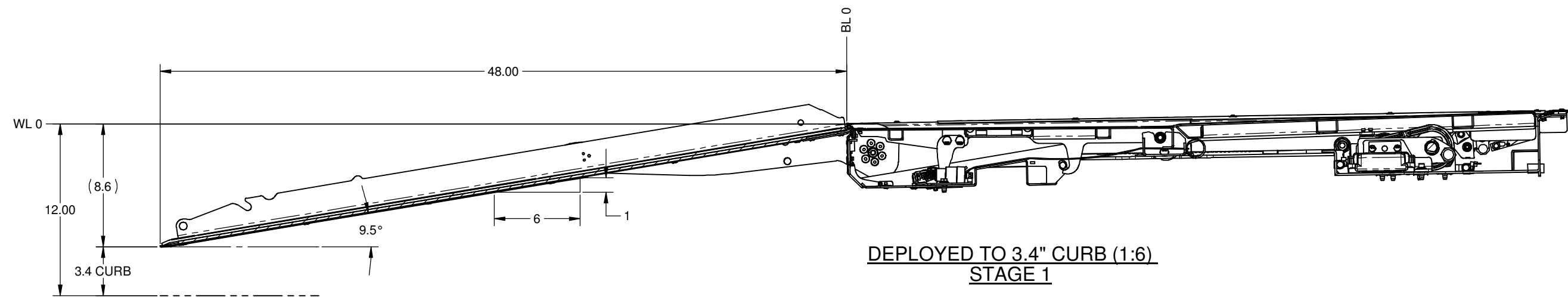
A DIVISION OF
HOGAN MFG., INC.

THIS DOCUMENT IS AND CONTAINS CONFIDENTIAL
 TRADE SECRET INFORMATION OF THE COMPANY. NO
 PART OF IT MAY BE REPRODUCED, STORED IN A
 RETRIEVAL SYSTEM, OR TRANSMITTED IN ANY FORM
 OR BY ANY MEANS ELECTRONICALLY, PHOTOCOPYING,
 RECORDING OR OTHERWISE, WITHOUT THE PRIOR
 WRITTEN PERMISSION OF HOGAN MFG, INC.
 THIS DOCUMENT IS LOANED FOR THE LIMITED
 PURPOSES STATED HEREIN ONLY, AND REMAINS
 THE PROPERTY OF THE COMPANY.

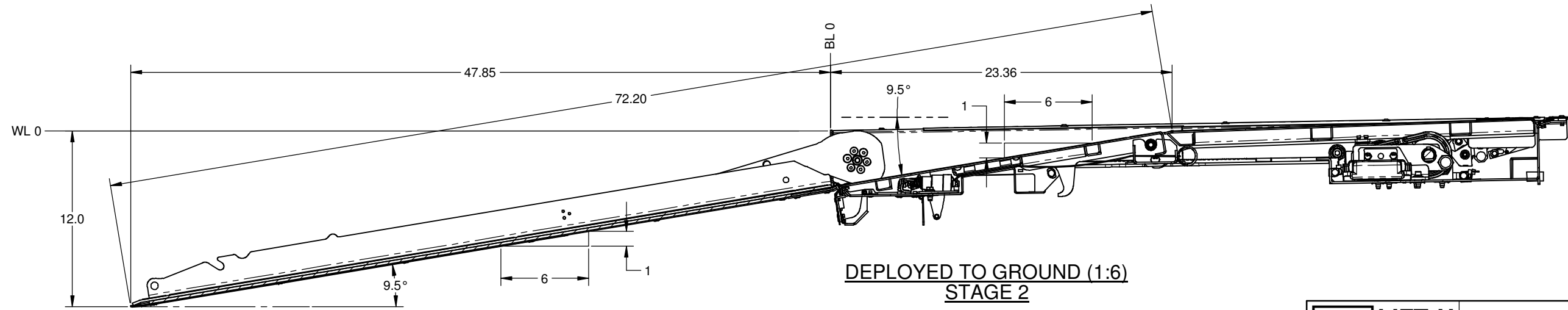
TITLE		RAMP OPERATION/ENVELOPE	
DOCUMENT NO.	751-0002	SHEET NO.	3 OF 5
			REVISION C



DEPLOYED TO 6" CURB (1:9)
STAGE 1




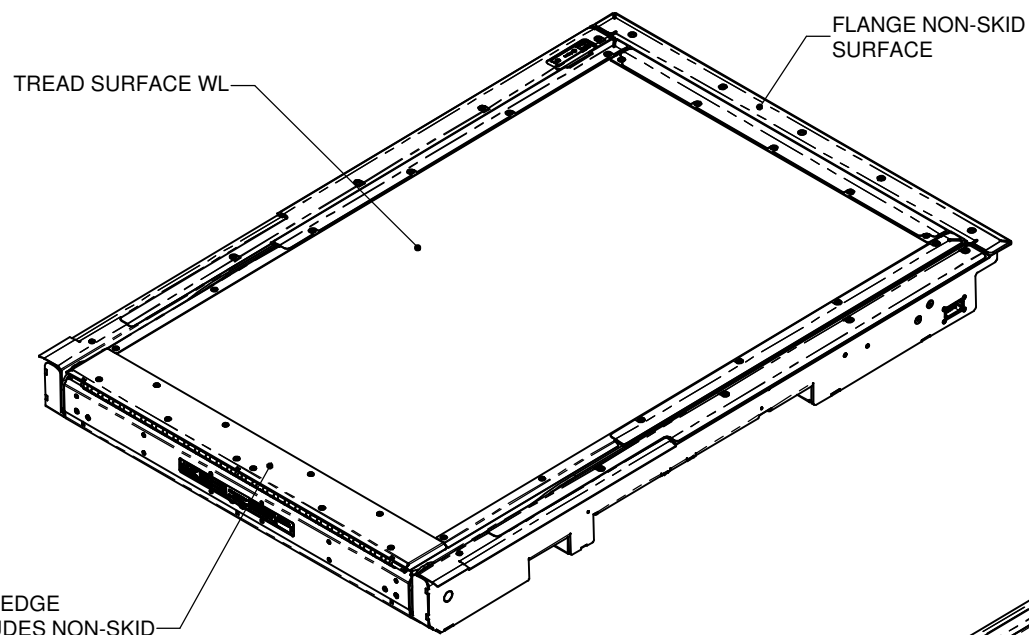
DEPLOYED TO 3.4" CURB (1:6)
STAGE 1



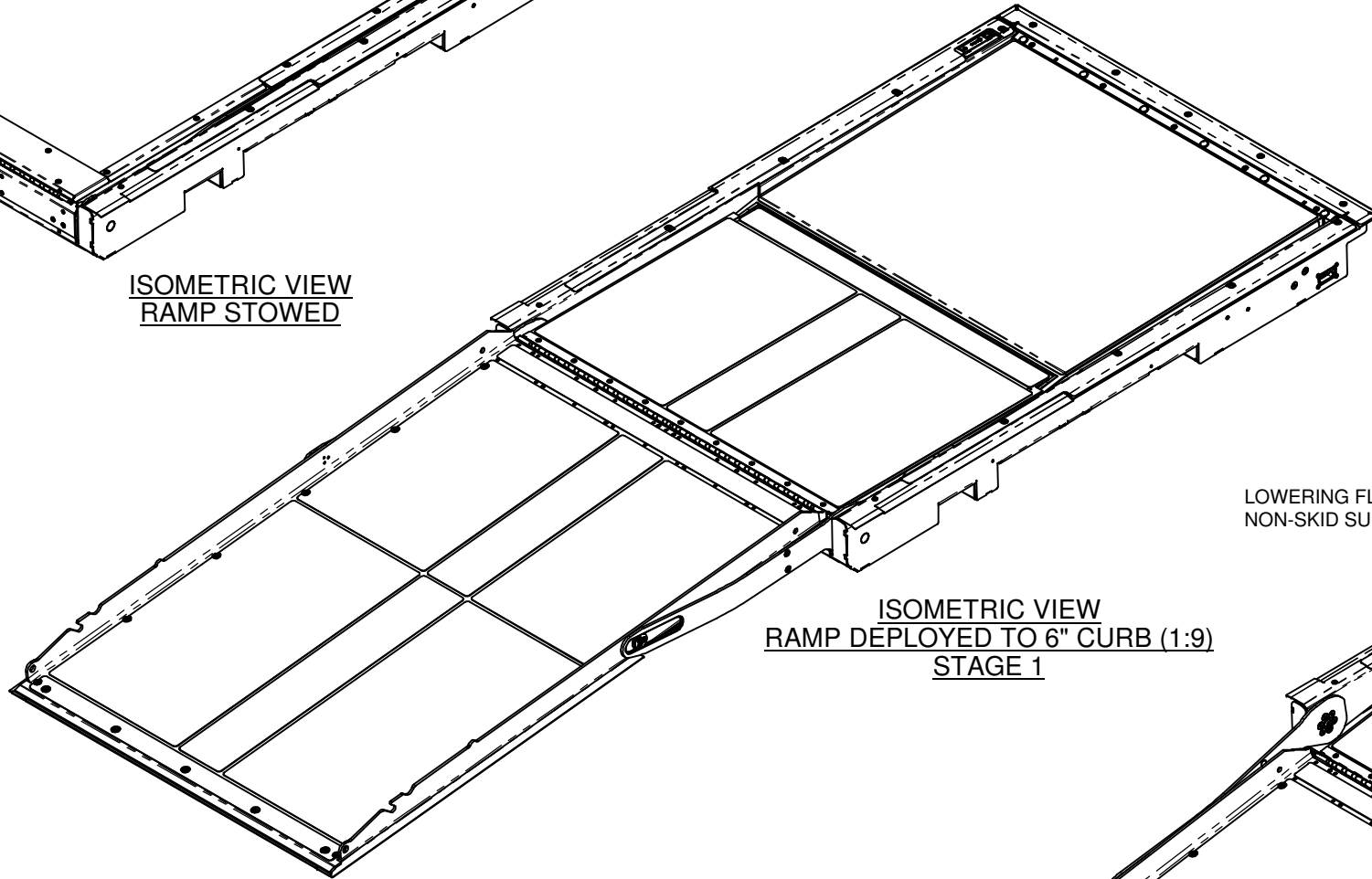
DEPLOYED TO GROUND (1:6)
STAGE 2

RAMP SHOWN INSTALLED AT 1° ANGLE

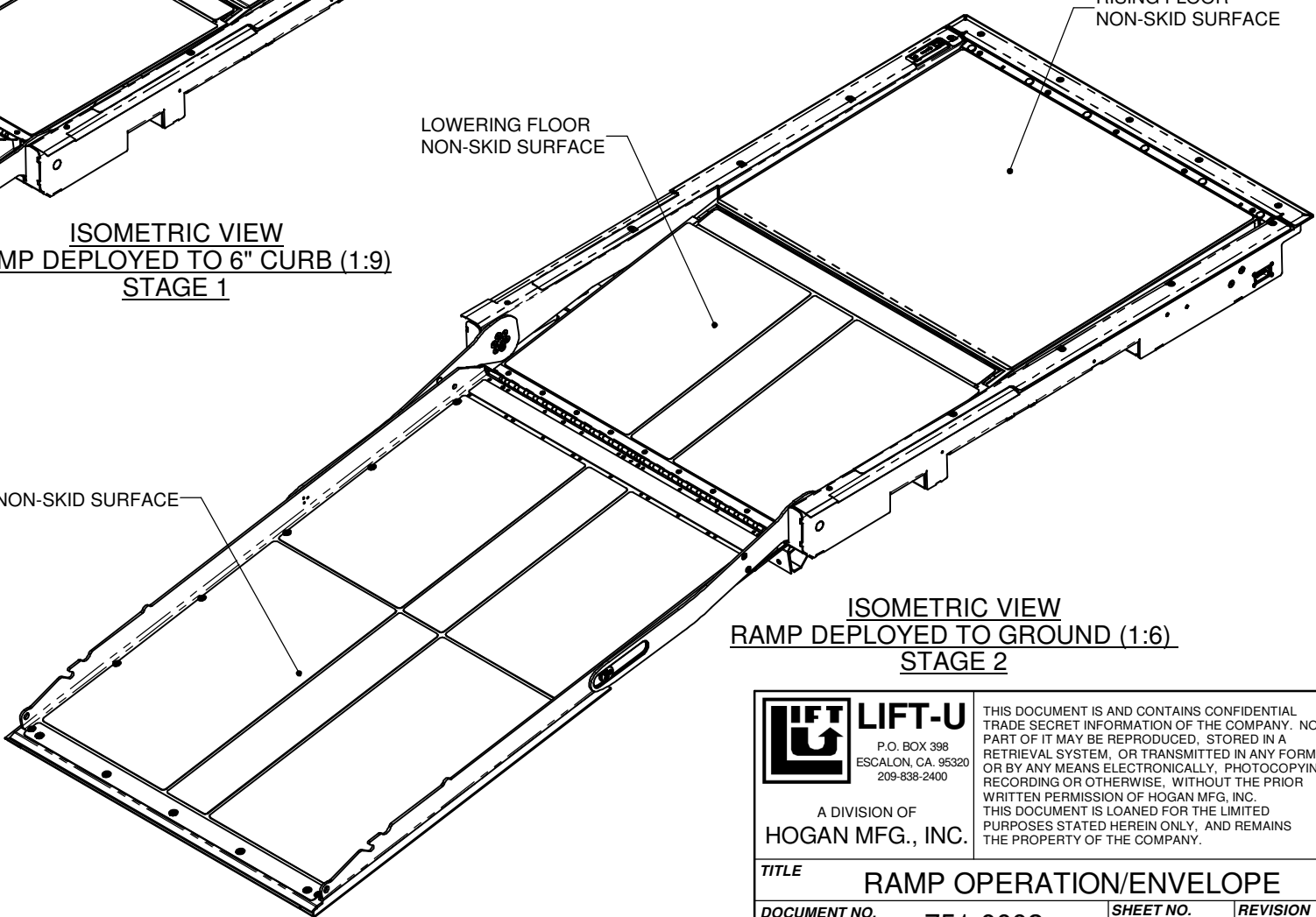
 LIFT-U P.O. BOX 398 ESCALON, CA. 95320 209-838-2400	THIS DOCUMENT IS AND CONTAINS CONFIDENTIAL TRADE SECRET INFORMATION OF THE COMPANY. NO PART OF IT MAY BE REPRODUCED, STORED IN A RETRIEVAL SYSTEM, OR TRANSMITTED IN ANY FORM OR BY ANY MEANS ELECTRONICALLY, PHOTOCOPIING, RECORDING OR OTHERWISE, WITHOUT THE PRIOR WRITTEN PERMISSION OF HOGAN MFG., INC. THIS DOCUMENT IS LOANED FOR THE LIMITED PURPOSES STATED HEREIN ONLY, AND REMAINS THE PROPERTY OF THE COMPANY.	
	A DIVISION OF HOGAN MFG., INC.	
TITLE RAMP OPERATION/ENVELOPE		
DOCUMENT NO. 751-0002	SHEET NO. 4 OF 5	REVISION C



ISOMETRIC VIEW
RAMP STOWED




ISOMETRIC VIEW
RAMP DEPLOYED TO 6" CURB (1:9)
STAGE 1



ISOMETRIC VIEW
RAMP DEPLOYED TO GROUND (1:6)
STAGE 2

MAXIMUM INSTALLED INCLINE: 1°

 LIFT-U P.O. BOX 398 ESCALON, CA. 95320 209-838-2400	THIS DOCUMENT IS AND CONTAINS CONFIDENTIAL TRADE SECRET INFORMATION OF THE COMPANY. NO PART OF IT MAY BE REPRODUCED, STORED IN A RETRIEVAL SYSTEM, OR TRANSMITTED IN ANY FORM OR BY ANY MEANS ELECTRONICALLY, PHOTOCOPIING, RECORDING OR OTHERWISE, WITHOUT THE PRIOR WRITTEN PERMISSION OF HOGAN MFG, INC. THIS DOCUMENT IS LOANED FOR THE LIMITED PURPOSES STATED HEREIN ONLY, AND REMAINS THE PROPERTY OF THE COMPANY.	
	A DIVISION OF HOGAN MFG., INC.	
TITLE RAMP OPERATION/ENVELOPE		
DOCUMENT NO. 751-0002	SHEET NO. 5 OF 5	REVISION C