

THIS DRAWING ILLUSTRATES A LIFT PLATFORM AND OPERATING MECHANISM WITHIN THE PARAMETERS OF MILLWORK WALLS. THE LIFT PLATFORM REQUIRES 3/8\"/>

MILLWORK WALLS ARE SHOWN IN SHADED / TRANSPARENT MODE ON SHEET 1 OF 5 TO VIEW ENCASED LIFT ASSEMBLY.

POWER NOTE:
BUILDING POWER TO BE SUPPLIED AND ROUTED TO ELECTRICAL CONTROL PANEL BY OTHERS. FURNISH 115 VAC, 3 WIRE, 15 AMP, SINGLE PHASE SOURCE POWER.

- ADVISORY NOTES:**
1. THIS DRAWING IS SUBJECT TO CHANGE PENDING APPLICABLE STATE AND LOCAL CODES, AND CUSTOMER APPROVAL.
 2. CUSTOMER MUST PROVIDE APPLICABLE STATE AND LOCAL CODES TO LIFT-U PRIOR TO DESIGN.
 3. PRIOR TO INSTALLATION, THE CUSTOMER MAY BE REQUIRED TO OBTAIN A VARIANCE FROM THE PRESIDING AUTHORITY FOR NON-COMPLIANT FEATURES.
 4. DRAWING MUST BE SIGNED BY CUSTOMER AND RETURNED TO LIFT-U PRIOR TO PRODUCTION RELEASE. CUSTOMER APPROVAL SIGNIFIES THAT ALL DIMENSIONS ARE CORRECT TO THEIR SPECIFICATIONS.
 5. SEE SHEET 5 OF 5 FOR LIFT SPECIFICATIONS.

REFERENCE ONLY

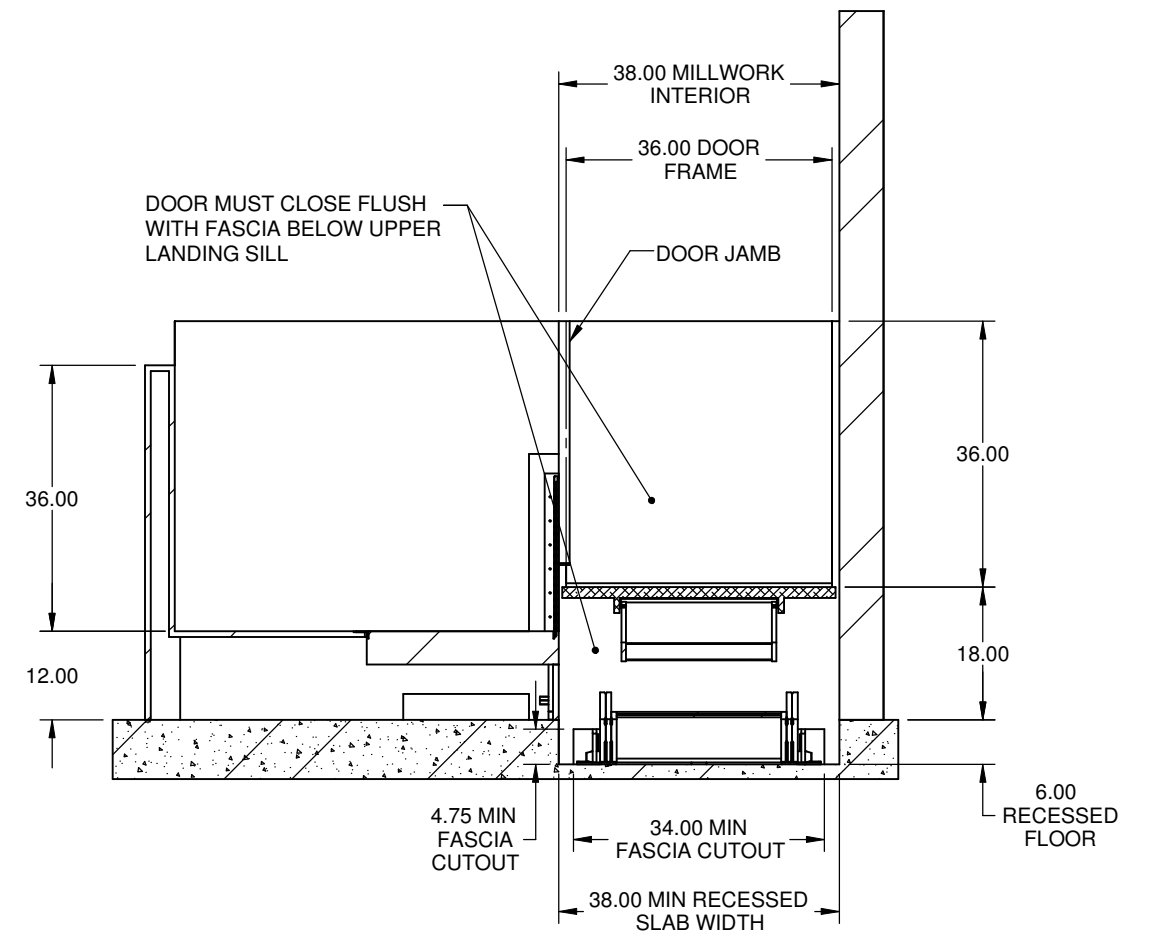
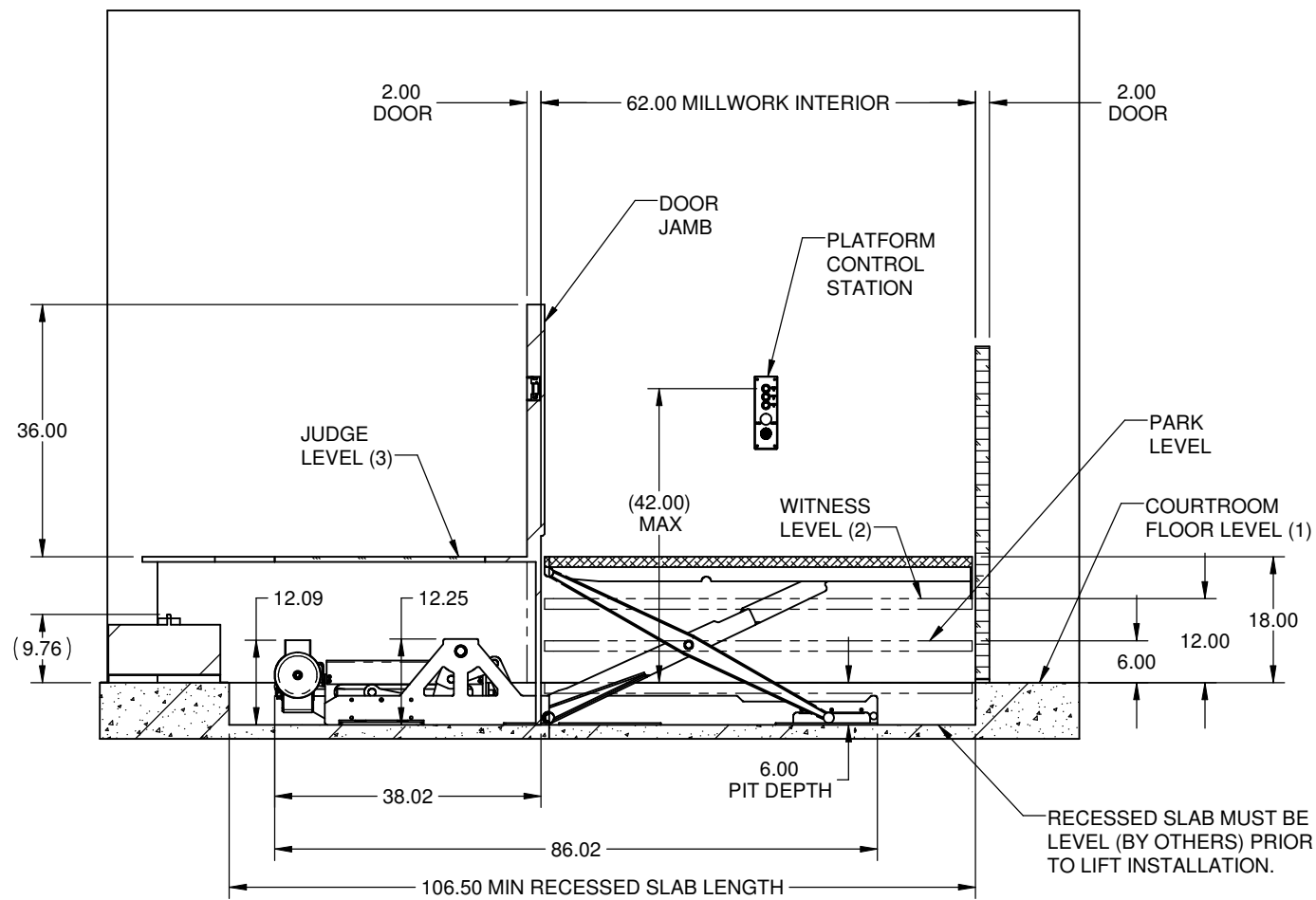
NOTES:

THIS DRAWING IS GENERIC AND PROVIDED TO ILLUSTRATE LIFT-U'S RECOMMENDED VMW LIFT / MILLWORK INTERFACE.

THE DIMENSIONS AND DETAILS WILL VARY FOR EACH APPLICATION. THEREFORE, FOR EACH PROJECT APPLICATION REFER TO ITS CORRESPONDING LIFT CONFIGURATION DRAWING FOR GENERAL ARRANGEMENT LAYOUT AND LIFT ENVELOPE DIMENSIONS.

ALL MILLWORK FRAMING AND VENEERED PANEL FINISHES ENCASEING THE LIFT ARE FURNISHED AND INSTALLED BY OTHERS.

<p>LIFT-U P.O. BOX 398 ESCALON, CA. 95320 209-838-2400</p> <p>A DIVISION OF HOGAN MFG., INC.</p>	<p>THIS DOCUMENT IS AND CONTAINS CONFIDENTIAL TRADE SECRET INFORMATION OF THE COMPANY. NO PART OF IT MAY BE REPRODUCED, STORED IN A RETRIEVAL SYSTEM, OR TRANSMITTED IN ANY FORM OR BY ANY MEANS ELECTRONICALLY, PHOTOCOPYING, RECORDING OR OTHERWISE, WITHOUT THE PRIOR WRITTEN PERMISSION OF HOGAN MFG., INC. THIS DOCUMENT IS LOANED FOR THE LIMITED PURPOSES STATED HEREIN ONLY, AND REMAINS THE PROPERTY OF THE COMPANY.</p>	
	<p>TITLE LIFT CONFIGURATION, 6" - 18" RISE</p>	
<p>DOCUMENT NO. 910-0092</p>	<p>SHEET NO. 1 OF 5</p>	<p>REVISION A</p>




REFERENCE ONLY

NOTES:

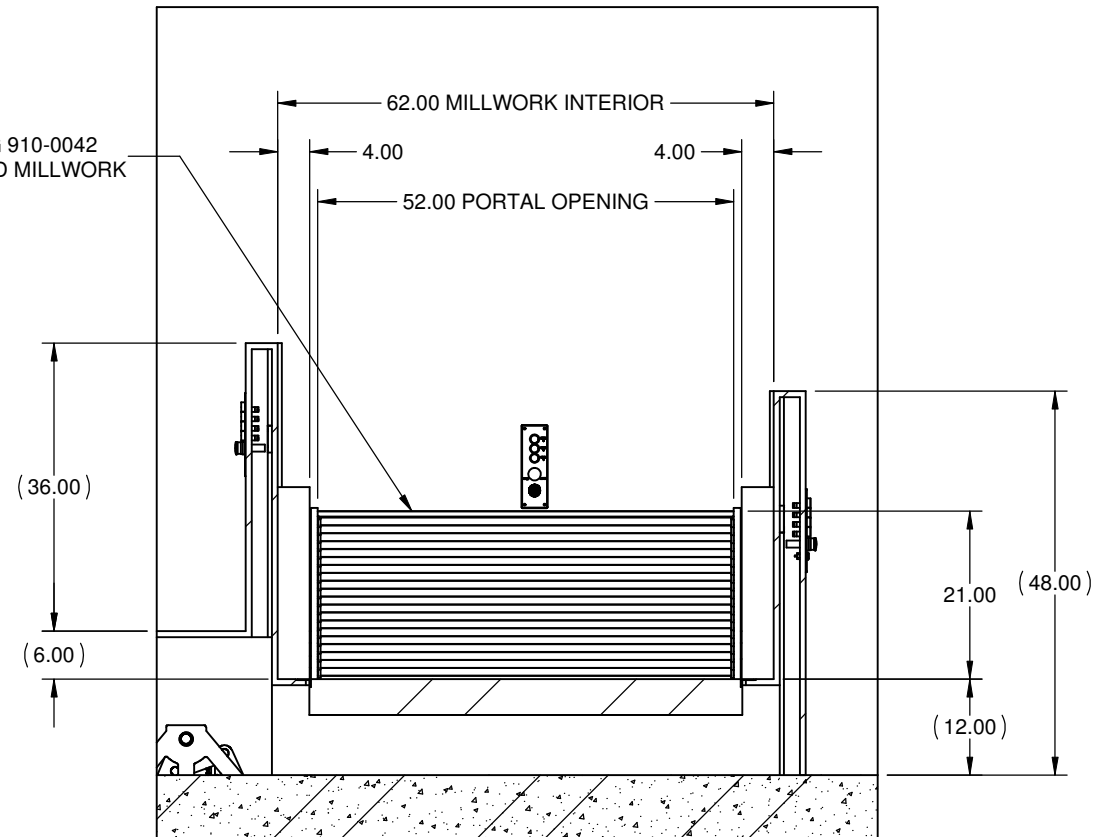
THIS DRAWING IS GENERIC AND PROVIDED TO ILLUSTRATE LIFT-U'S RECOMMENDED VMW LIFT / MILLWORK INTERFACE.

THE DIMENSIONS AND DETAILS WILL VARY FOR EACH APPLICATION. THEREFORE, FOR EACH PROJECT APPLICATION REFER TO ITS CORRESPONDING LIFT CONFIGURATION DRAWING FOR GENERAL ARRANGEMENT LAYOUT AND LIFT ENVELOPE DIMENSIONS.

ALL MILLWORK FRAMING AND VENEERED PANEL FINISHES ENCASING THE LIFT ARE FURNISHED AND INSTALLED BY OTHERS.

 LIFT-U P.O. BOX 398 ESCALON, CA. 95320 209-838-2400	THIS DOCUMENT IS AND CONTAINS CONFIDENTIAL TRADE SECRET INFORMATION OF THE COMPANY. NO PART OF IT MAY BE REPRODUCED, STORED IN A RETRIEVAL SYSTEM, OR TRANSMITTED IN ANY FORM OR BY ANY MEANS ELECTRONICALLY, PHOTOCOPYING, RECORDING OR OTHERWISE, WITHOUT THE PRIOR WRITTEN PERMISSION OF HOGAN MFG., INC. THIS DOCUMENT IS LOANED FOR THE LIMITED PURPOSES STATED HEREIN ONLY, AND REMAINS THE PROPERTY OF THE COMPANY.	
	A DIVISION OF HOGAN MFG., INC.	
TITLE LIFT CONFIGURATION, 6" - 18" RISE		
DOCUMENT NO. 910-0092	SHEET NO. 2 OF 5	REVISION A

ROLL-UP BARRIER:
REFER TO DRAWING 910-0042
FOR RECOMMENDED MILLWORK
INTERFACE.



SECTION C-C


REFERENCE ONLY

NOTES:

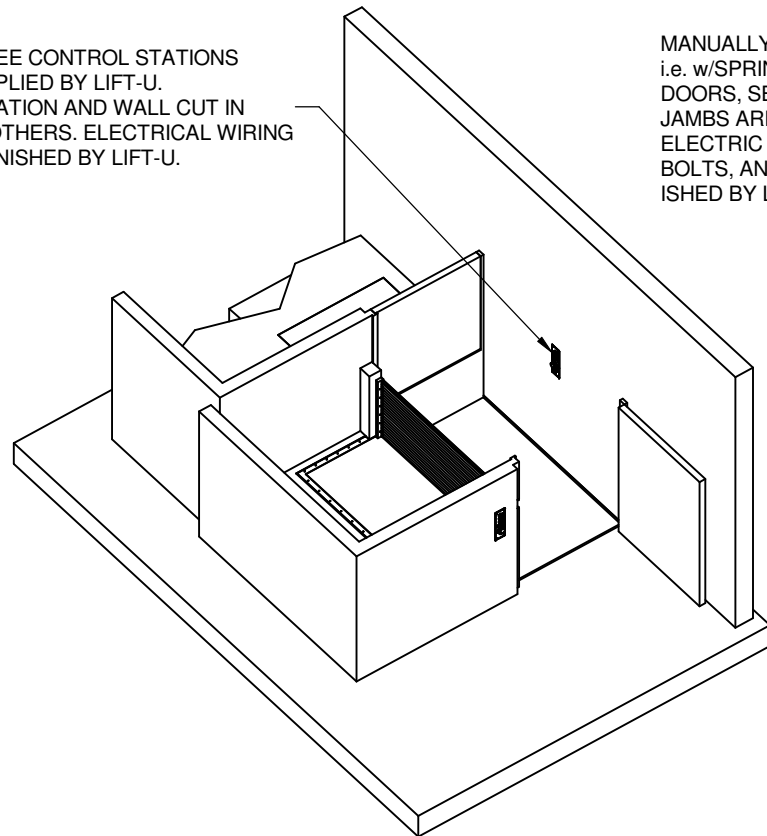
THIS DRAWING IS GENERIC AND PROVIDED TO ILLUSTRATE LIFT-U'S RECOMMENDED VMW LIFT / MILLWORK INTERFACE.

THE DIMENSIONS AND DETAILS WILL VARY FOR EACH APPLICATION. THEREFORE, FOR EACH PROJECT APPLICATION REFER TO ITS CORRESPONDING LIFT CONFIGURATION DRAWING FOR GENERAL ARRANGEMENT LAYOUT AND LIFT ENVELOPE DIMENSIONS.

ALL MILLWORK FRAMING AND VENEERED PANEL FINISHES ENCASING THE LIFT ARE FURNISHED AND INSTALLED BY OTHERS.

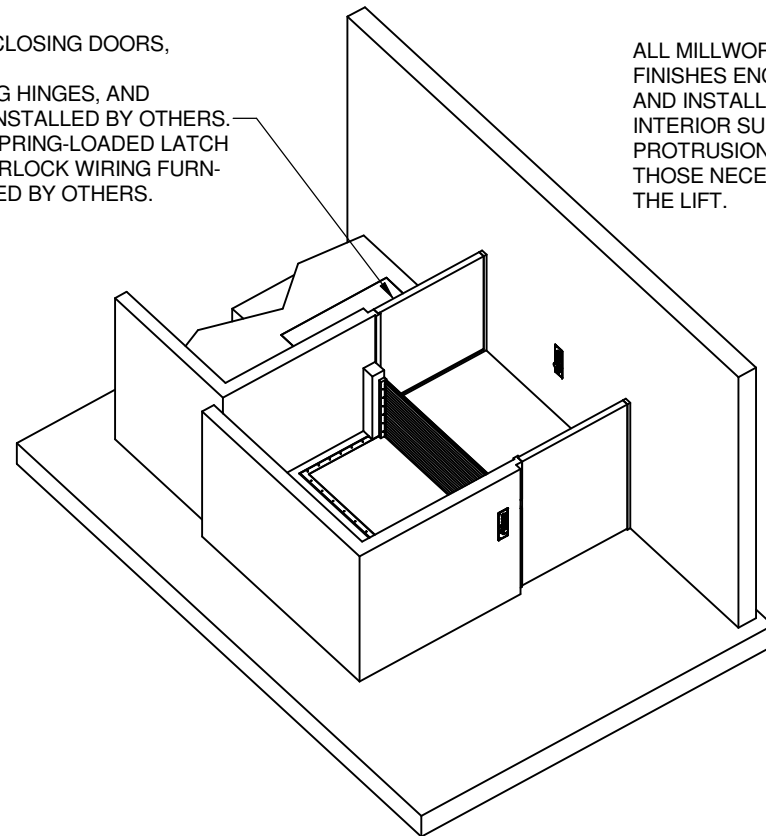
 LIFT-U <small>P.O. BOX 398 ESCALON, CA. 95320 209-838-2400</small>	<small>THIS DOCUMENT IS AND CONTAINS CONFIDENTIAL TRADE SECRET INFORMATION OF THE COMPANY. NO PART OF IT MAY BE REPRODUCED, STORED IN A RETRIEVAL SYSTEM, OR TRANSMITTED IN ANY FORM OR BY ANY MEANS ELECTRONICALLY, PHOTOCOPYING, RECORDING OR OTHERWISE, WITHOUT THE PRIOR WRITTEN PERMISSION OF HOGAN MFG., INC. THIS DOCUMENT IS LOANED FOR THE LIMITED PURPOSES STATED HEREIN ONLY, AND REMAINS THE PROPERTY OF THE COMPANY.</small>	
	<small>A DIVISION OF</small> HOGAN MFG., INC.	
TITLE LIFT CONFIGURATION, 6" - 18" RISE		
<small>DOCUMENT NO.</small> 910-0092	<small>SHEET NO.</small> 3 OF 5	<small>REVISION</small> A

THREE CONTROL STATIONS SUPPLIED BY LIFT-U. LOCATION AND WALL CUT IN BY OTHERS. ELECTRICAL WIRING FURNISHED BY LIFT-U.



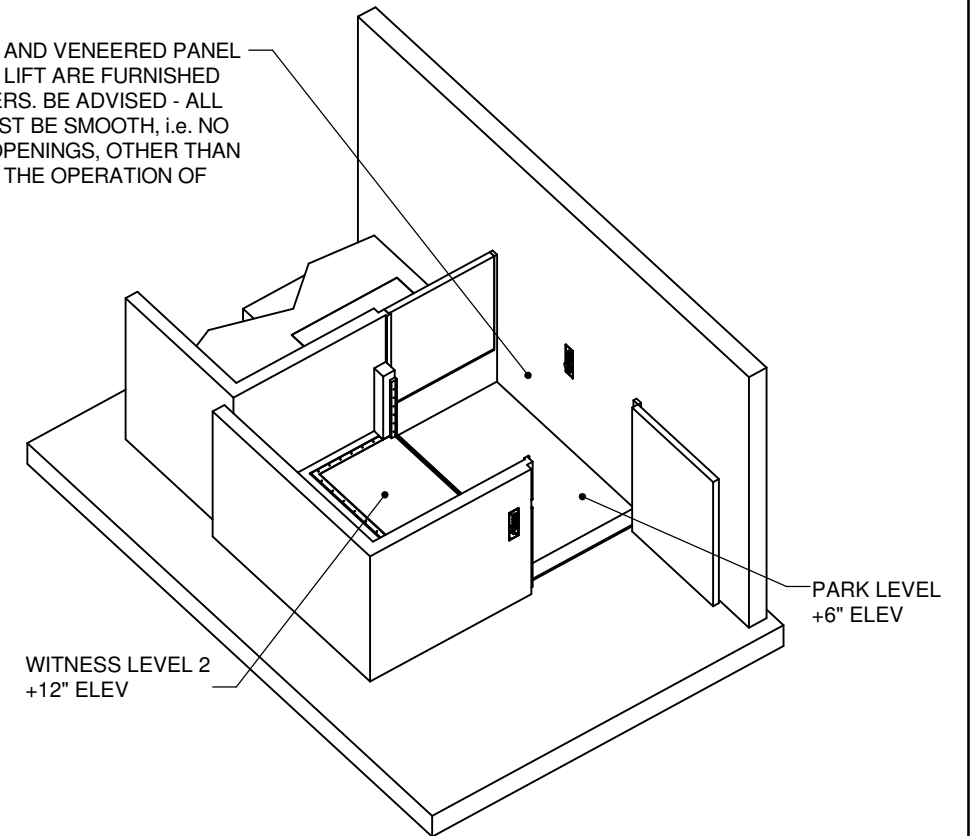
PLATFORM SHOWN AT LOWER LEVEL (1) READY FOR PASSENGER INGRESS OR EGRESS

MANUALLY OPERATED, SELF-CLOSING DOORS, i.e. w/SPRING HINGES. DOORS, SELF-CLOSING SPRING HINGES, AND JAMBS ARE FURNISHED AND INSTALLED BY OTHERS. ELECTRIC STRIKE LATCHES, SPRING-LOADED LATCH BOLTS, AND ELECTRICAL INTERLOCK WIRING FURNISHED BY LIFT-U AND INSTALLED BY OTHERS.



DOORS ARE CLOSED AND LOCKED WHEN PLATFORM RAISES AND LOWERS

ALL MILLWORK FRAMING AND VENEERED PANEL FINISHES ENCASING THE LIFT ARE FURNISHED AND INSTALLED BY OTHERS. BE ADVISED - ALL INTERIOR SURFACES MUST BE SMOOTH, i.e. NO PROTRUSIONS AND NO OPENINGS, OTHER THAN THOSE NECESSARY FOR THE OPERATION OF THE LIFT.



PLATFORM SHOWN AT PARK LEVEL FOR USE BY ABLE-BODIED PERSONS ROLL-UP BARRIER IS STOWED

WITNESS LEVEL 2 +12" ELEV

PARK LEVEL +6" ELEV

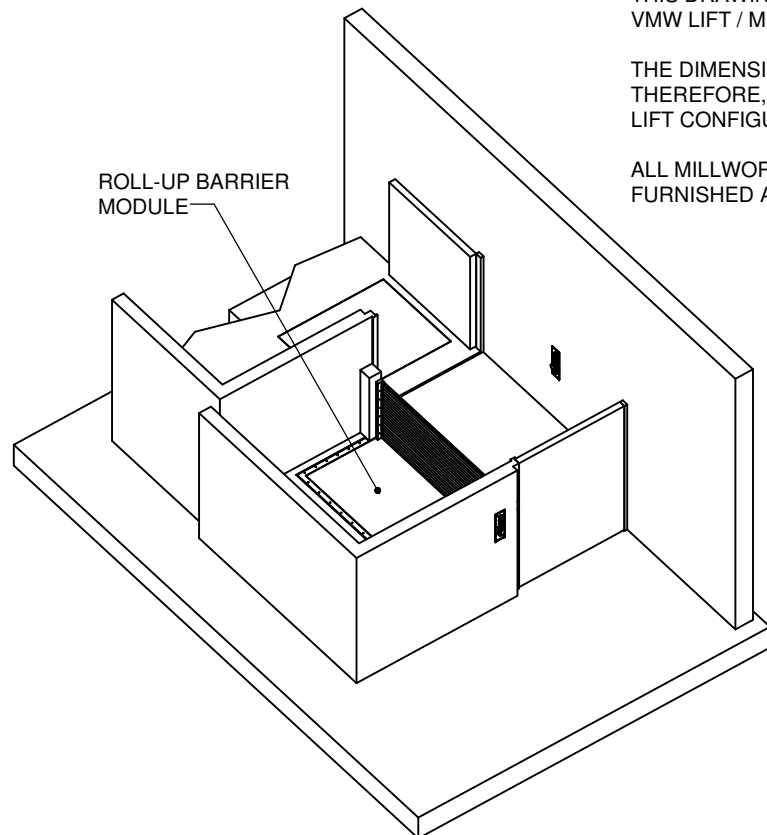
NOTES:

THIS DRAWING IS GENERIC AND PROVIDED TO ILLUSTRATE LIFT-U'S RECOMMENDED VMW LIFT / MILLWORK INTERFACE.

THE DIMENSIONS AND DETAILS WILL VARY FOR EACH APPLICATION. THEREFORE, FOR EACH PROJECT APPLICATION REFER TO ITS CORRESPONDING LIFT CONFIGURATION DRAWING FOR GENERAL ARRANGEMENT LAYOUT AND LIFT ENVELOPE DIMENSIONS.

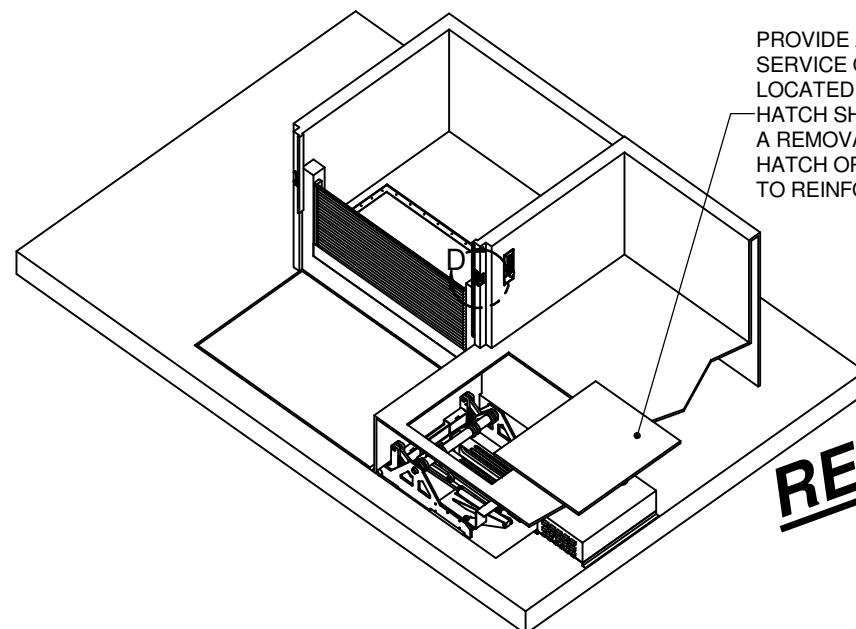
ALL MILLWORK FRAMING AND VENEERED PANEL FINISHES ENCASING THE LIFT ARE FURNISHED AND INSTALLED BY OTHERS.

ROLL-UP BARRIER MODULE

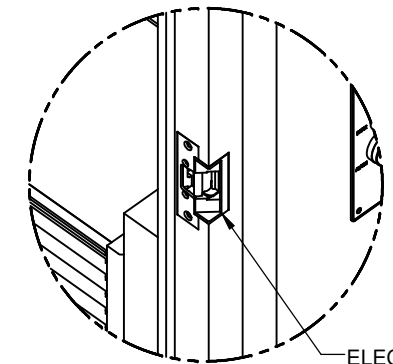


PLATFORM SHOWN AT JUDGE LEVEL (3) READY FOR PASSENGER INGRESS OR EGRESS

PROVIDE AN ACCESS HATCH TO ENABLE SERVICE ON MOTOR AND ELECTRONICS LOCATED BELOW UPPER LANDING. HATCH SHOULD BE NO LESS THAN 30" x 36". A REMOVABLE JOIST WITHIN THE FRAMED HATCH OPENING SHOULD BE POSITIONED TO REINFORCE THE HATCH COVER.



REVERSE ISOMETRIC VIEW BACK WALL AND DOORS NOT SHOWN FOR CLARITY



ELECTRIC STRIKE LATCH CUT INTO DOOR JAMB

DETAIL D 2 PLACES

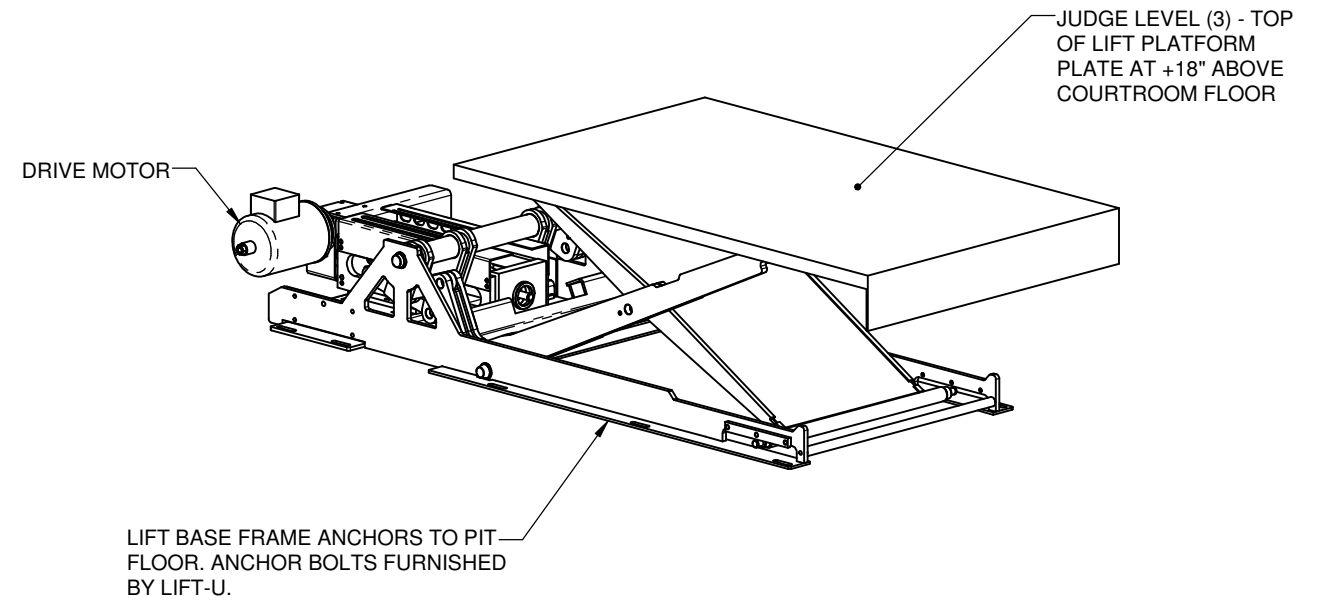
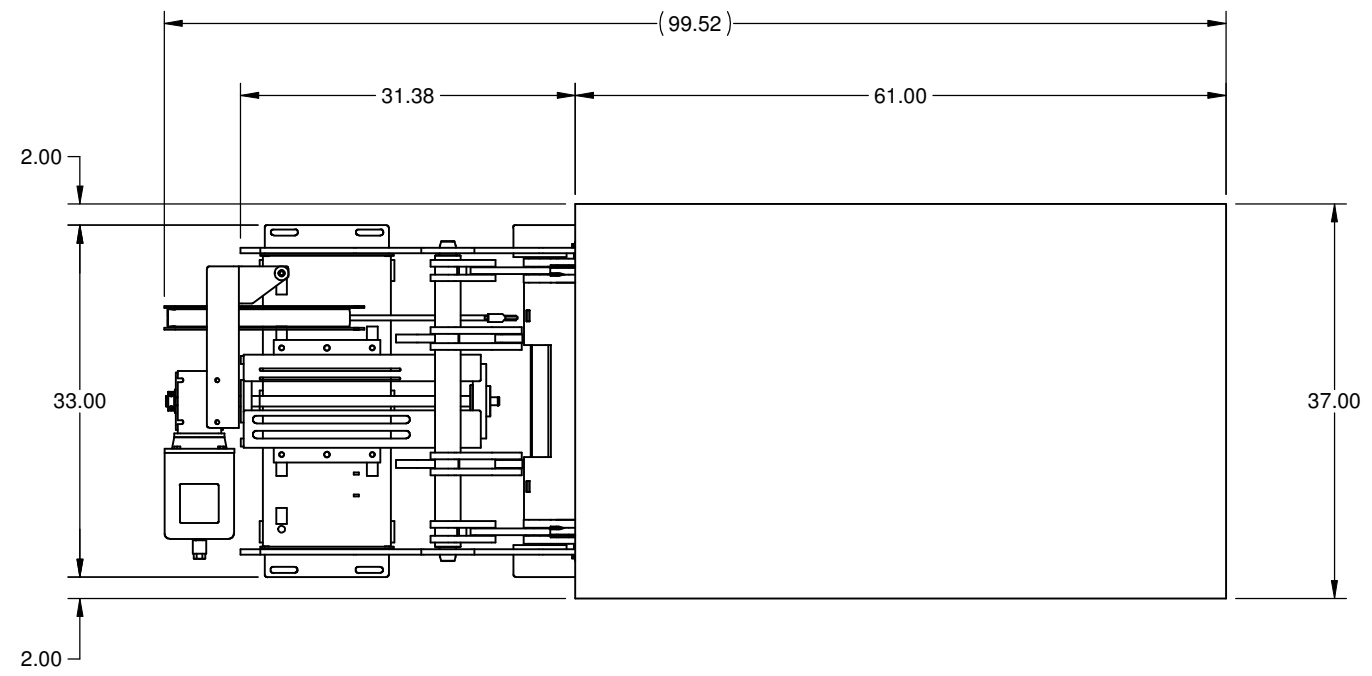
REFERENCE ONLY



A DIVISION OF HOGAN MFG., INC.

THIS DOCUMENT IS AND CONTAINS CONFIDENTIAL TRADE SECRET INFORMATION OF THE COMPANY. NO PART OF IT MAY BE REPRODUCED, STORED IN A RETRIEVAL SYSTEM, OR TRANSMITTED IN ANY FORM OR BY ANY MEANS ELECTRONICALLY, PHOTOCOPYING, RECORDING OR OTHERWISE, WITHOUT THE PRIOR WRITTEN PERMISSION OF HOGAN MFG, INC. THIS DOCUMENT IS LOANED FOR THE LIMITED PURPOSES STATED HEREIN ONLY, AND REMAINS THE PROPERTY OF THE COMPANY.

TITLE	LIFT CONFIGURATION, 6" - 18" RISE		
DOCUMENT NO.	910-0092	SHEET NO.	4 OF 5
		REVISION	A



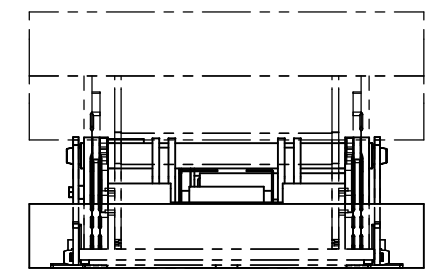
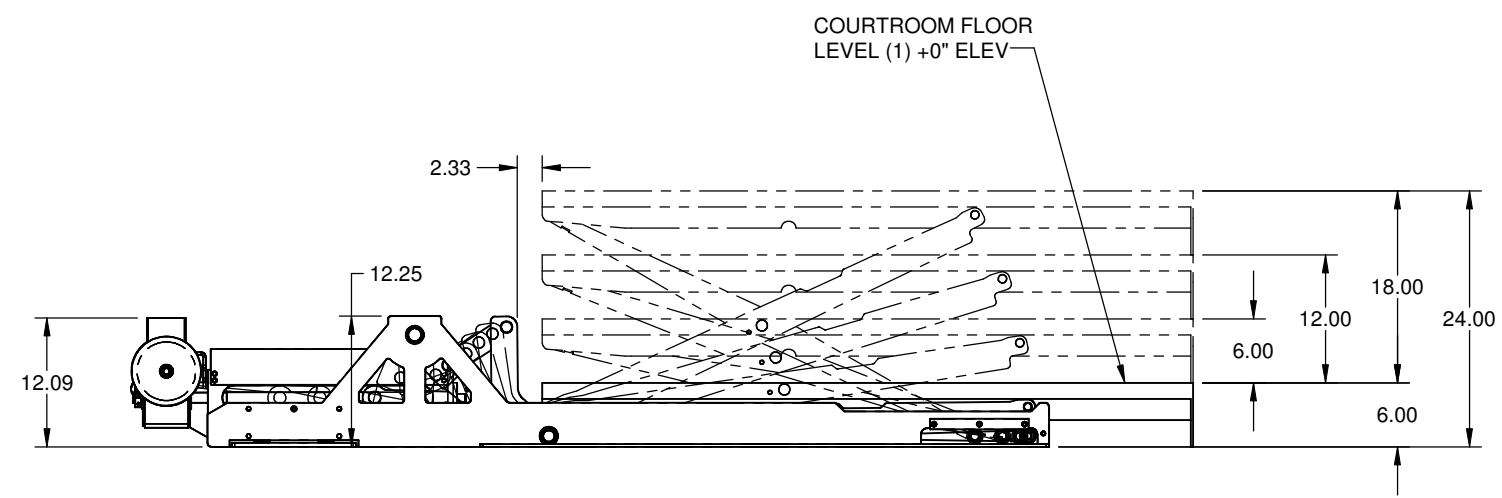
PERSPECTIVE VIEW

NOTES:

THIS DRAWING IS GENERIC AND PROVIDED TO ILLUSTRATE LIFT-U'S RECOMMENDED VMW LIFT / MILLWORK INTERFACE.

THE DIMENSIONS AND DETAILS WILL VARY FOR EACH APPLICATION. THEREFORE, FOR EACH PROJECT APPLICATION REFER TO ITS CORRESPONDING LIFT CONFIGURATION DRAWING FOR GENERAL ARRANGEMENT LAYOUT AND LIFT ENVELOPE DIMENSIONS.

ALL MILLWORK FRAMING AND VENEERED PANEL FINISHES ENCASING THE LIFT ARE FURNISHED AND INSTALLED BY OTHERS.



LIFT ENVELOPE DIMENSIONS

REFERENCE ONLY

<p>LIFT-U P.O. BOX 398 ESCALON, CA. 95320 209-838-2400</p> <p>A DIVISION OF HOGAN MFG., INC.</p>	<p>THIS DOCUMENT IS AND CONTAINS CONFIDENTIAL TRADE SECRET INFORMATION OF THE COMPANY. NO PART OF IT MAY BE REPRODUCED, STORED IN A RETRIEVAL SYSTEM, OR TRANSMITTED IN ANY FORM OR BY ANY MEANS ELECTRONICALLY, PHOTOCOPYING, RECORDING OR OTHERWISE, WITHOUT THE PRIOR WRITTEN PERMISSION OF HOGAN MFG., INC. THIS DOCUMENT IS LOANED FOR THE LIMITED PURPOSES STATED HEREIN ONLY, AND REMAINS THE PROPERTY OF THE COMPANY.</p>	
	<p>TITLE</p> <p>LIFT CONFIGURATION, 6" - 18" RISE</p>	<p>DOCUMENT NO. 910-0092</p>
<p>SHEET NO. 5 OF 5</p>		<p>REVISION A</p>