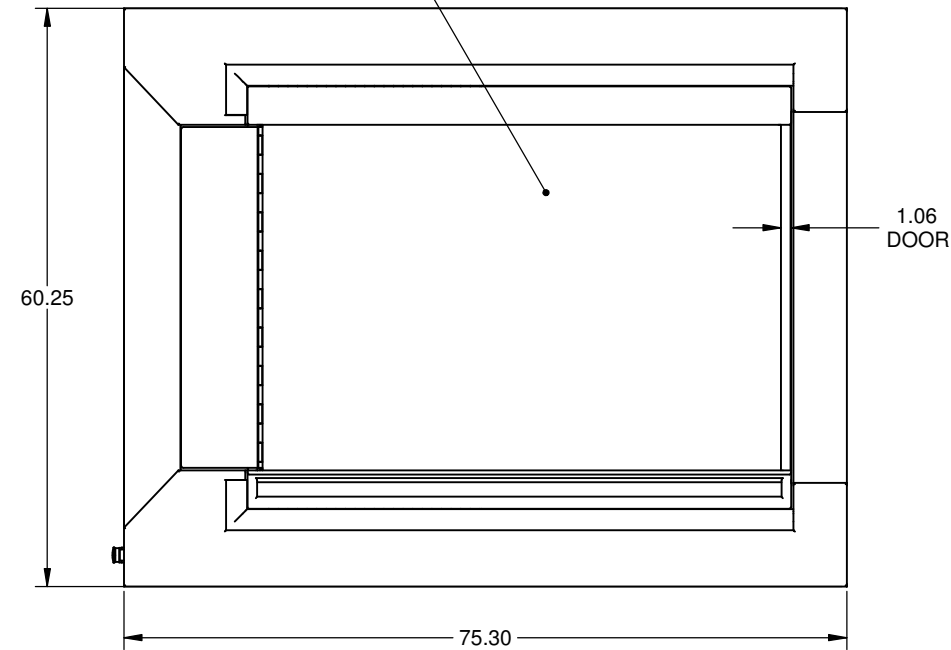


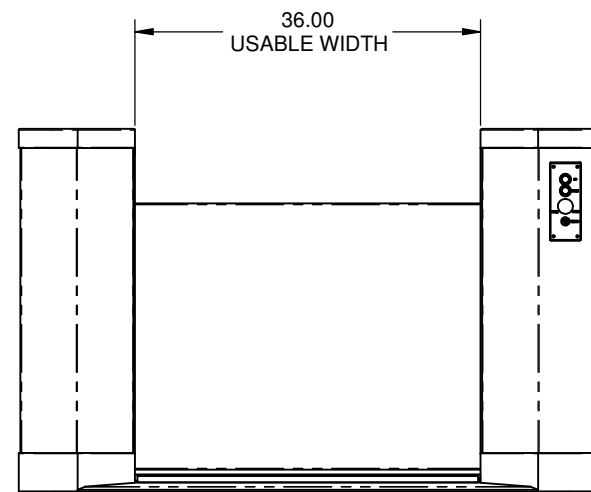
REVISIONS									
LTR	ECO	APPD	DATE	DESCRIPTION	DFTR	DATE	CHKR	DATE	
A				PRE-PRODUCTION RELEASE	ECW	11/29/2007			

PLATFORM IS COVERED WITH BLACK NON-SKID VINYL

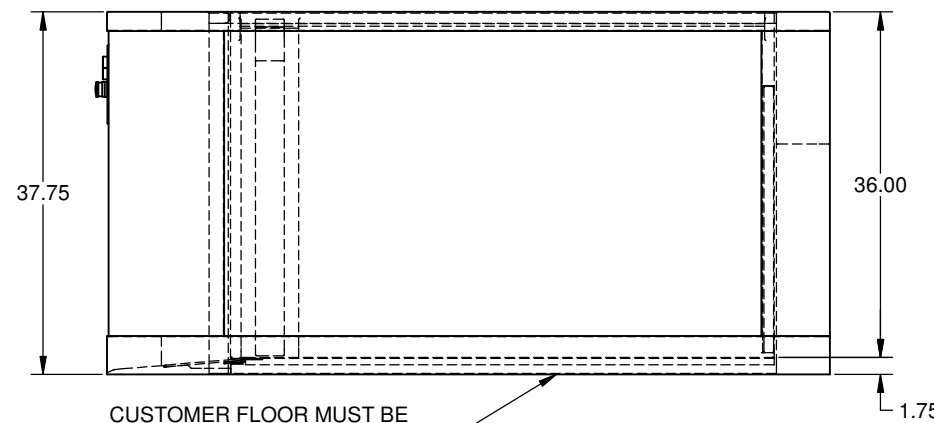


NOTES:

- 1) THIS DRAWING IS SUBJECT TO CHANGE PENDING APPLICABLE STATE AND LOCAL CODES, AND CUSTOMER APPROVAL.
- 2) CUSTOMER MUST PROVIDE APPLICABLE STATE AND LOCAL CODES TO LIFT-U PRIOR TO DESIGN.
- 3) DRAWING MUST BE SIGNED BY CUSTOMER AND RETURNED TO LIFT-U PRIOR TO PRODUCTION RELEASE. CUSTOMER APPROVAL SIGNIFIES THAT ALL DIMENSIONS ARE CORRECT TO THEIR SPECIFICATIONS.
- 4) SEE SHEET 2 OF 3 FOR LIFT SPECIFICATIONS.

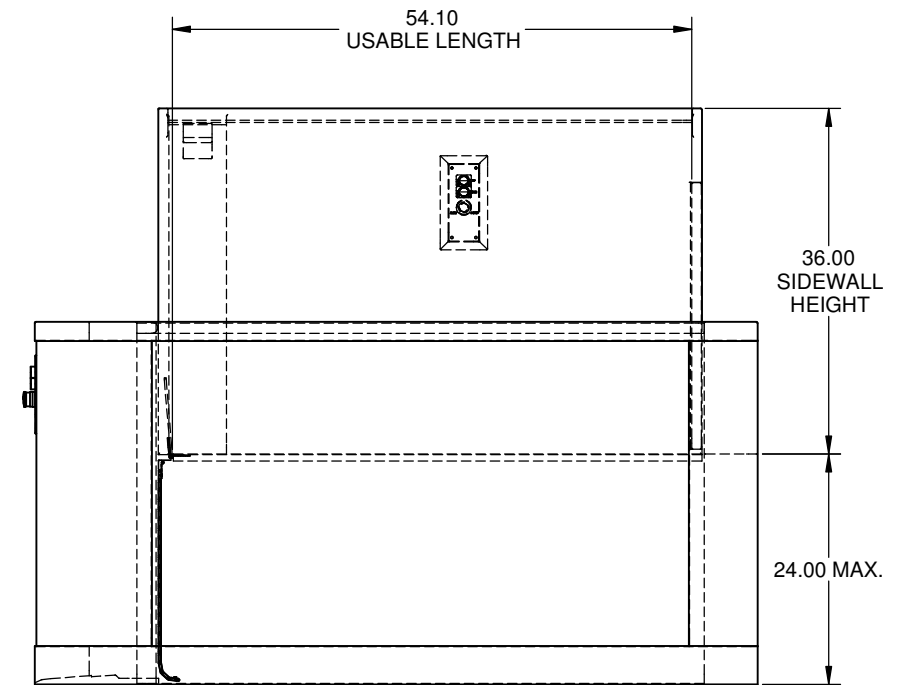


LIFT BASE ANCHORS TO FLOOR. ANCHOR BOLTS FURNISHED BY LIFT-U.



CUSTOMER FLOOR MUST BE LEVEL (BY OTHERS) PRIOR TO INSTALLATION

RIGHT ELEVATION VIEW PLATFORM AT LOWER LEVEL (1)



RIGHT ELEVATION VIEW PLATFORM AT UPPER LEVEL (2)

DRAWING CERTIFICATION

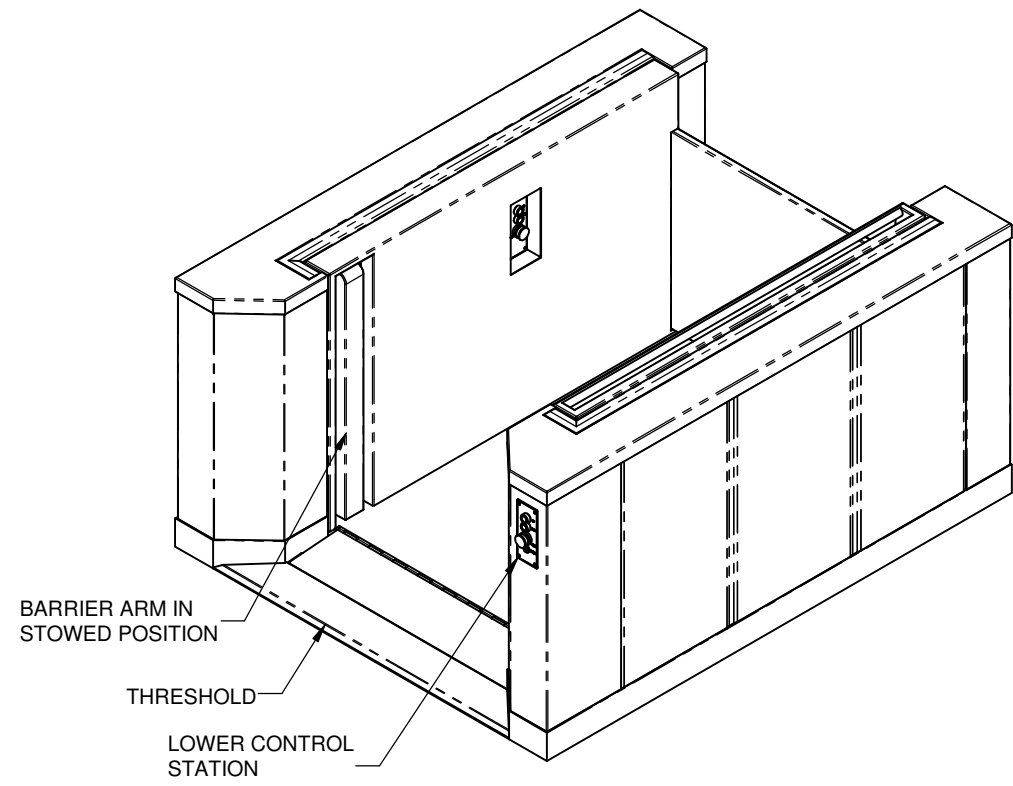
CUSTOMER:	
APPROVAL SIGNATURE:	
DATE:	
PROJECT NAME:	
PROJECT LOCATION:	
DRAWING REV:	



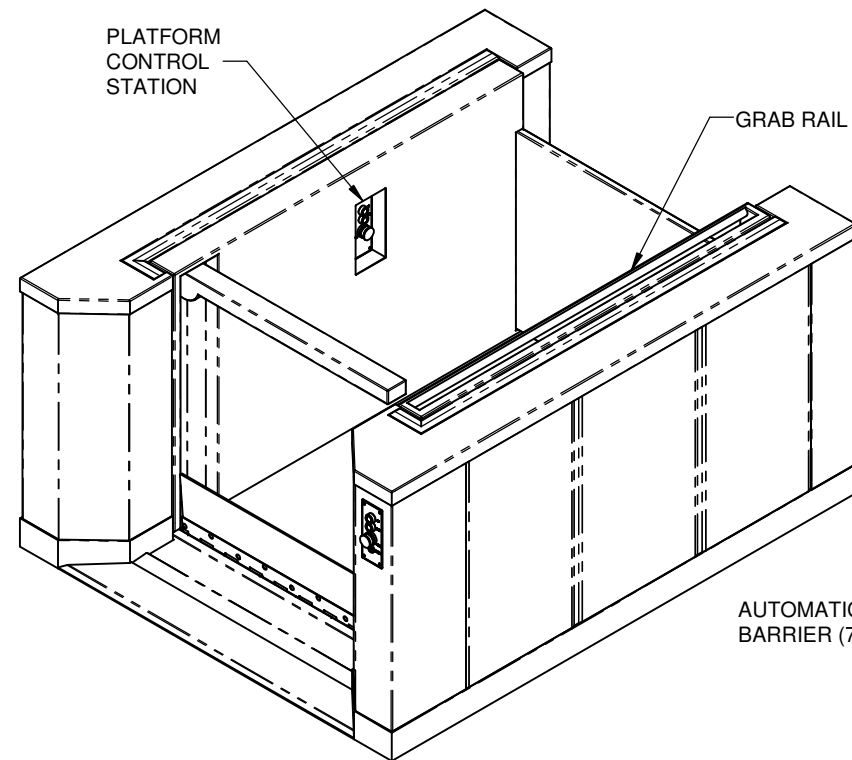
A DIVISION OF HOGAN MFG., INC.

THIS DOCUMENT IS AND CONTAINS CONFIDENTIAL TRADE SECRET INFORMATION OF THE COMPANY. NO PART OF IT MAY BE REPRODUCED, STORED IN A RETRIEVAL SYSTEM, OR TRANSMITTED IN ANY FORM OR BY ANY MEANS ELECTRONICALLY, PHOTOCOPYING, RECORDING OR OTHERWISE, WITHOUT THE PRIOR WRITTEN PERMISSION OF HOGAN MFG, INC. THIS DOCUMENT IS LOANED FOR THE LIMITED PURPOSES STATED HEREIN ONLY, AND REMAINS THE PROPERTY OF THE COMPANY.

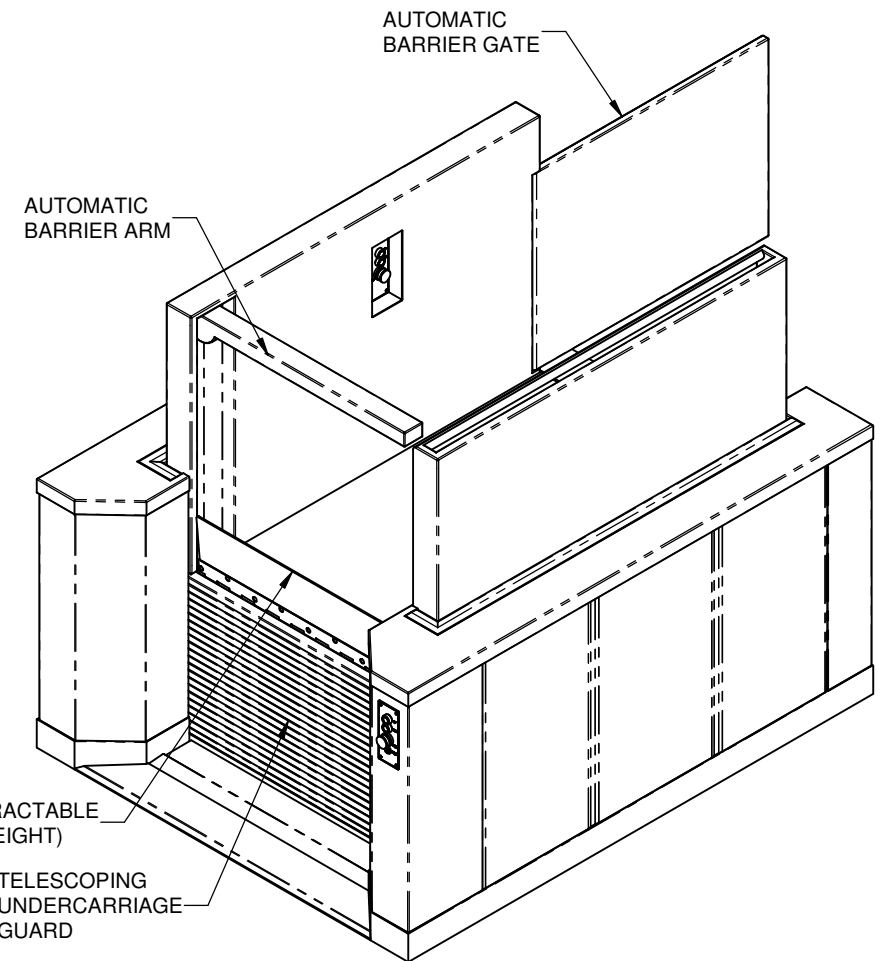
TITLE LIFT CONFIGURATION, 24" RISE MAX.		
DOCUMENT NO. 902-0002	SHEET NO. 1 OF 3	REVISION A



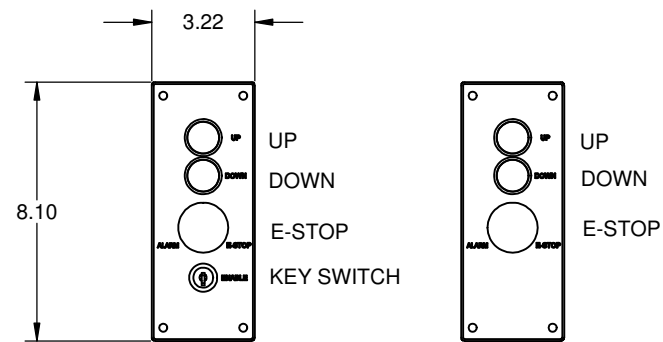
PLATFORM SHOWN AT LOWER LEVEL (1)
READY FOR PASSENGER INGRESS OR EGRESS
FRONT PERSPECTIVE



BARRIERS ARE CLOSED AND LOCKED WHEN
PLATFORM RAISES AND LOWERS
FRONT PERSPECTIVE



PLATFORM SHOWN AT UPPER LEVEL (2)
READY FOR PASSENGER INGRESS OR EGRESS
FRONT PERSPECTIVE



LOWER CONTROL STATION

PLATFORM & UPPER CONTROL STATION

LIFT SPECIFICATIONS

SPEED: 10 FT/MINUTE MAXIMUM
DRIVE: 2 ACME SCREW JACKS
CAPACITY: 750 LBS. MAX. OPERATING LOAD
VERTICAL TRAVEL: 24 IN. MAX.
PLATFORM DIMS: 36 IN. x 54.10 IN. USEABLE
POWER SOURCE: 115 VAC - 15 AMP - 3 WIRE - 1 PH (LINE, NEUTRAL, GROUND)
CONTROL STATIONS: PLATFORM AND LOWER LEVEL - LIFT MOUNTED; UPPER LEVEL - SHIPPED LOOSE FOR WALL MOUNTING BY OTHERS
MANUAL OPERATION: LOWERING MEANS PROVIDED
EXTERIOR FINISH: STANDARD TEXTURED BROWN
CONTROL ENCLOSURE TYPE: TBD



LIFT-U
P.O. BOX 398
ESCALON, CA. 95320
209-838-2400

A DIVISION OF
HOGAN MFG., INC.

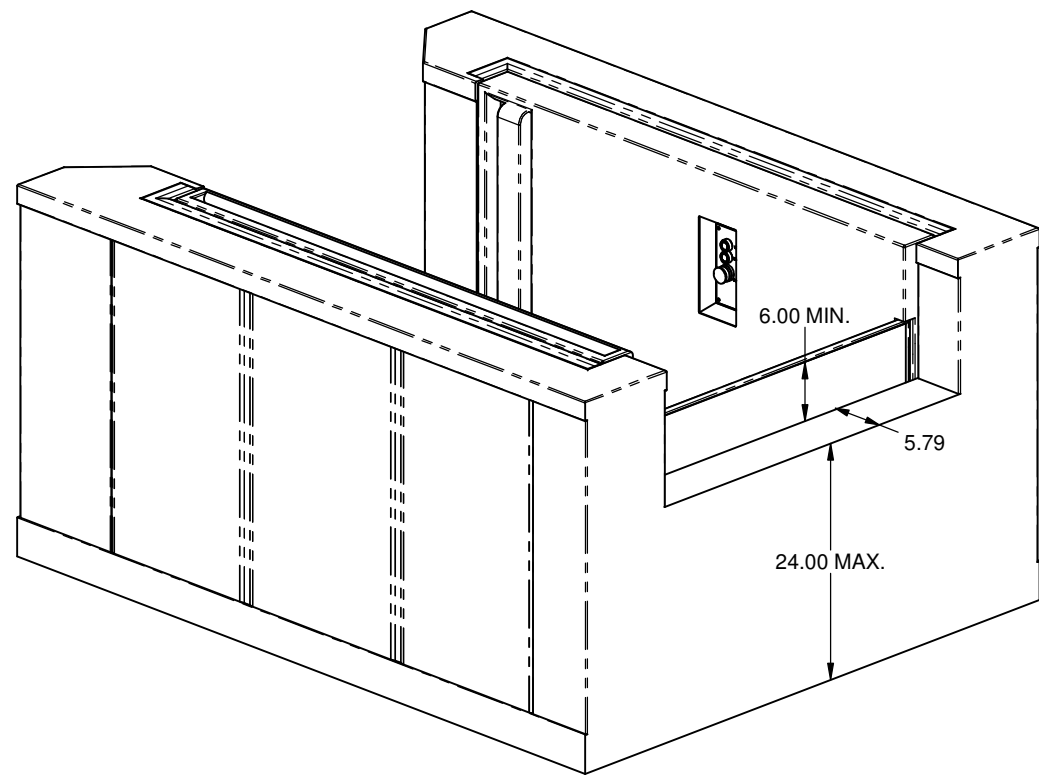
THIS DOCUMENT IS AND CONTAINS CONFIDENTIAL TRADE SECRET INFORMATION OF THE COMPANY. NO PART OF IT MAY BE REPRODUCED, STORED IN A RETRIEVAL SYSTEM, OR TRANSMITTED IN ANY FORM OR BY ANY MEANS ELECTRONICALLY, PHOTOCOPYING, RECORDING OR OTHERWISE, WITHOUT THE PRIOR WRITTEN PERMISSION OF HOGAN MFG, INC. THIS DOCUMENT IS LOANED FOR THE LIMITED PURPOSES STATED HEREIN ONLY, AND REMAINS THE PROPERTY OF THE COMPANY.

TITLE **LIFT CONFIGURATION, 24" RISE MAX.**

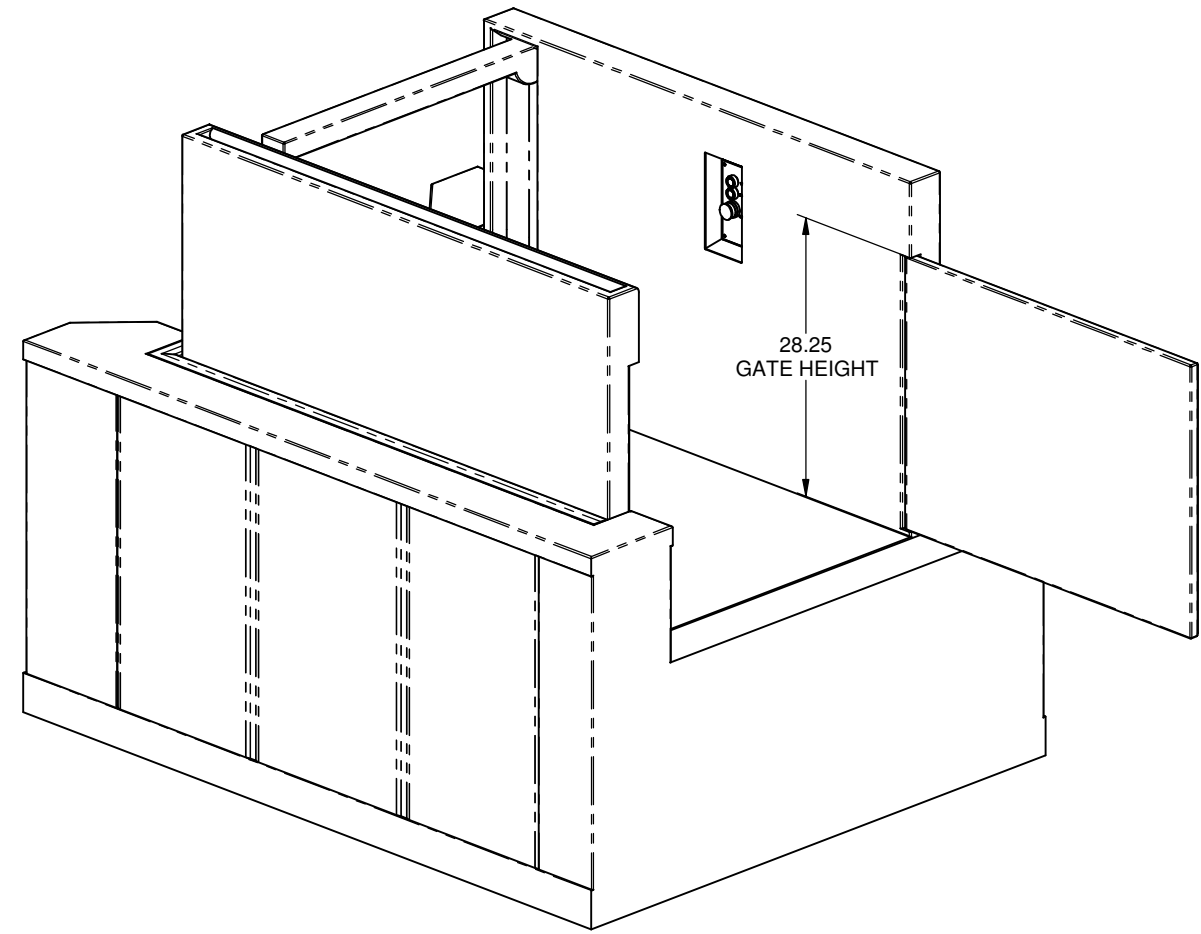
DOCUMENT NO. **902-0002**

SHEET NO. **2 OF 3**

REVISION **A**



PLATFORM SHOWN AT LOWER LEVEL (1)
 READY FOR PASSENGER INGRESS OR EGRESS
 REAR PERSPECTIVE



PLATFORM SHOWN AT UPPER LEVEL (2)
 READY FOR PASSENGER INGRESS OR EGRESS
 REAR PERSPECTIVE



LIFT-U
 P.O. BOX 398
 ESCALON, CA. 95320
 209-838-2400
 A DIVISION OF
HOGAN MFG., INC.

THIS DOCUMENT IS AND CONTAINS CONFIDENTIAL
 TRADE SECRET INFORMATION OF THE COMPANY. NO
 PART OF IT MAY BE REPRODUCED, STORED IN A
 RETRIEVAL SYSTEM, OR TRANSMITTED IN ANY FORM
 OR BY ANY MEANS ELECTRONICALLY, PHOTOCOPYING,
 RECORDING OR OTHERWISE, WITHOUT THE PRIOR
 WRITTEN PERMISSION OF HOGAN MFG, INC.
 THIS DOCUMENT IS LOANED FOR THE LIMITED
 PURPOSES STATED HEREIN ONLY, AND REMAINS
 THE PROPERTY OF THE COMPANY.

TITLE		
LIFT CONFIGURATION, 24" RISE MAX.		
DOCUMENT NO.	902-0002	SHEET NO.
		3 OF 3
		REVISION
		A