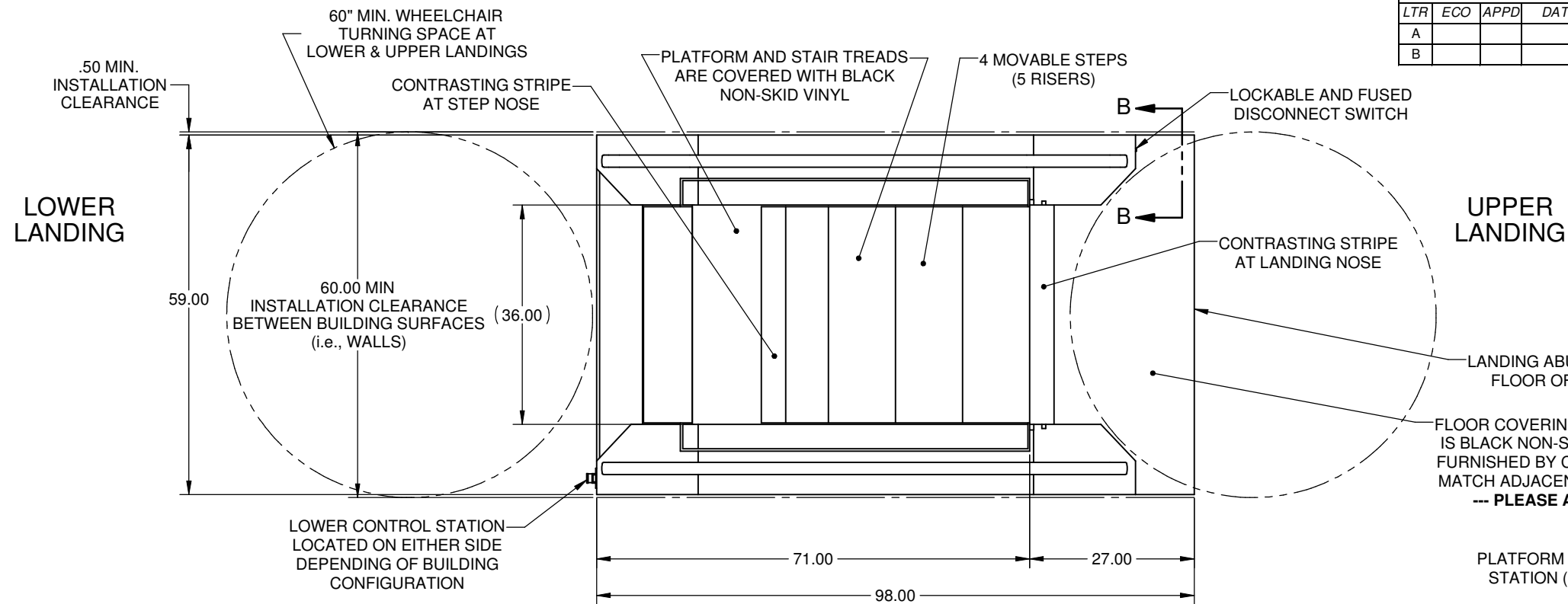
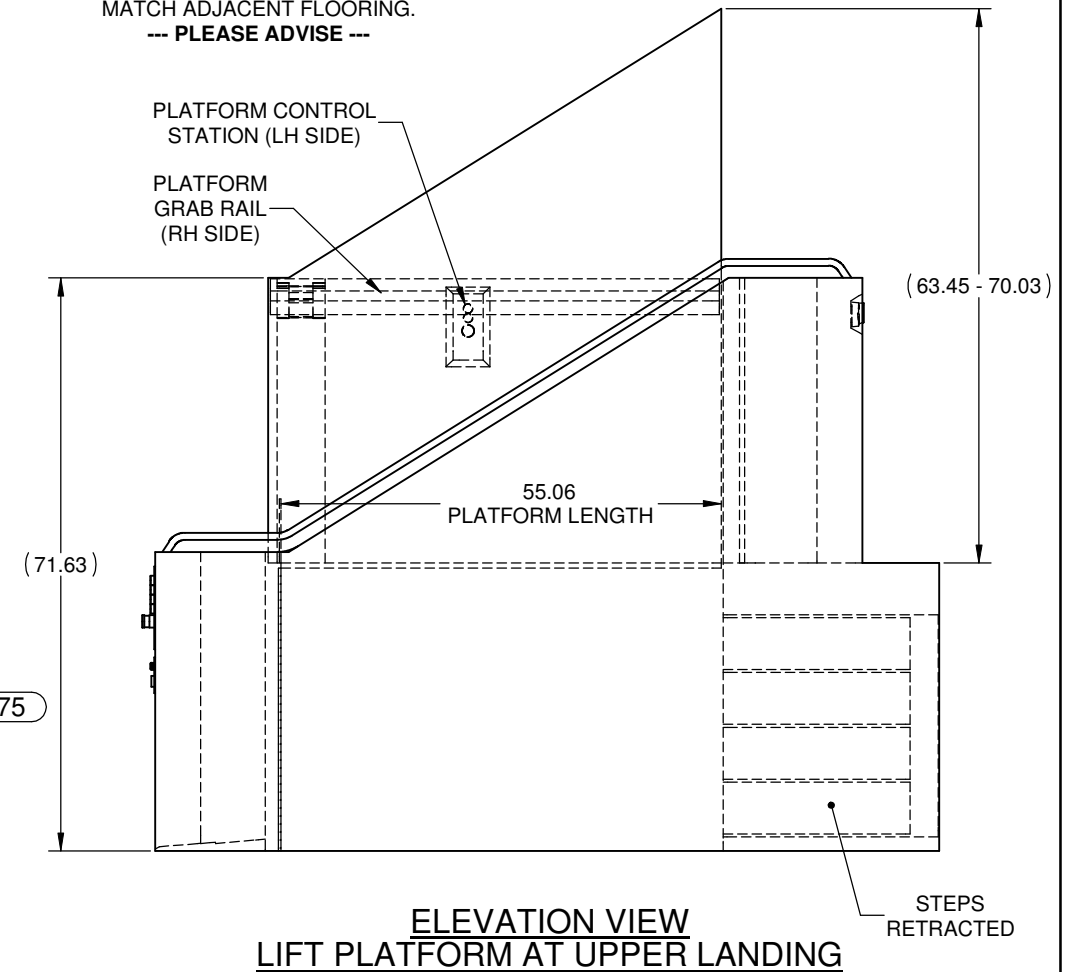
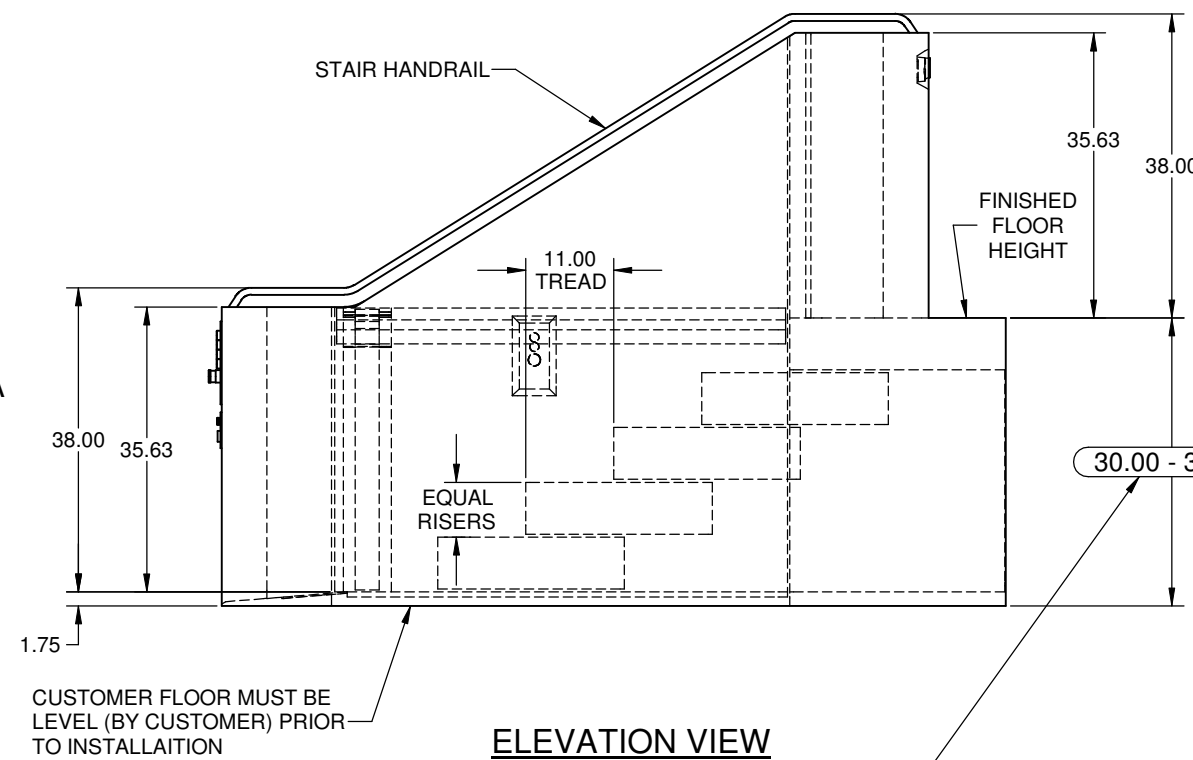
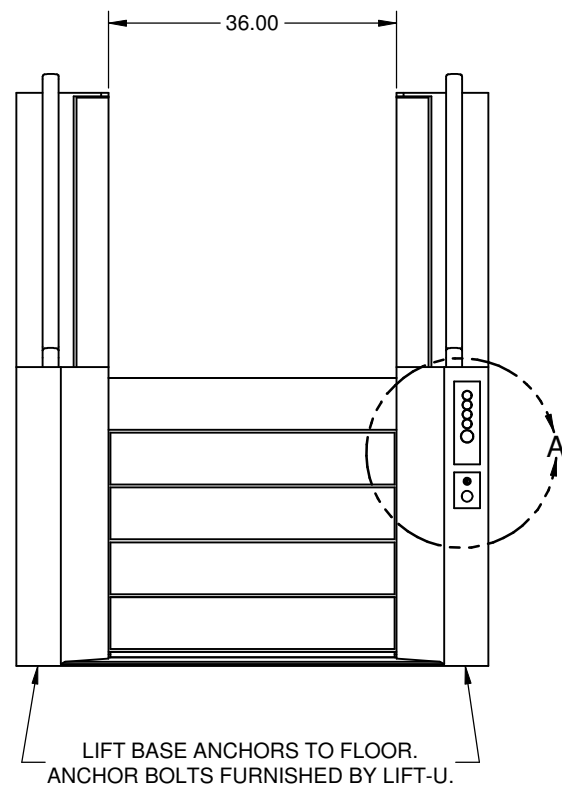


REVISIONS								
LTR	ECO	APPD	DATE	DESCRIPTION	DFTR	DATE	CHKR	DATE
A				RELEASED	CAL	3/13/2009		
B				ADDED 60" TURNING SPACE, NOTES & SHEET 2	BSA	10/18/2011		



- NOTES:**
1. THIS DRAWING IS SUBJECT TO CHANGE PENDING APPLICABLE STATE AND LOCAL CODES, AND CUSTOMER APPROVAL.
 2. CUSTOMER MUST PROVIDE APPLICABLE STATE AND LOCAL CODES TO LIFT-U PRIOR TO DESIGN.
 3. DRAWING MUST BE SIGNED BY CUSTOMER AND RETURNED TO LIFT-U PRIOR TO PRODUCTION RELEASE. CUSTOMER APPROVAL SIGNIFIES THAT ALL DIMENSIONS ARE CORRECT TO THEIR SPECIFICATIONS.
 4. SEE SHEET 2 OF 3 FOR LIFT SPECIFICATIONS.



APPROVAL NOTE:
CONTRACTOR MUST VERIFY LANDING HEIGHT PRIOR TO RELEASE FOR FABRICATION. MEASUREMENT TO BE TAKEN FROM BASE FLOOR AT THE LOWER LANDING TO THE FINISH FLOOR AT THE UPPER LANDING.

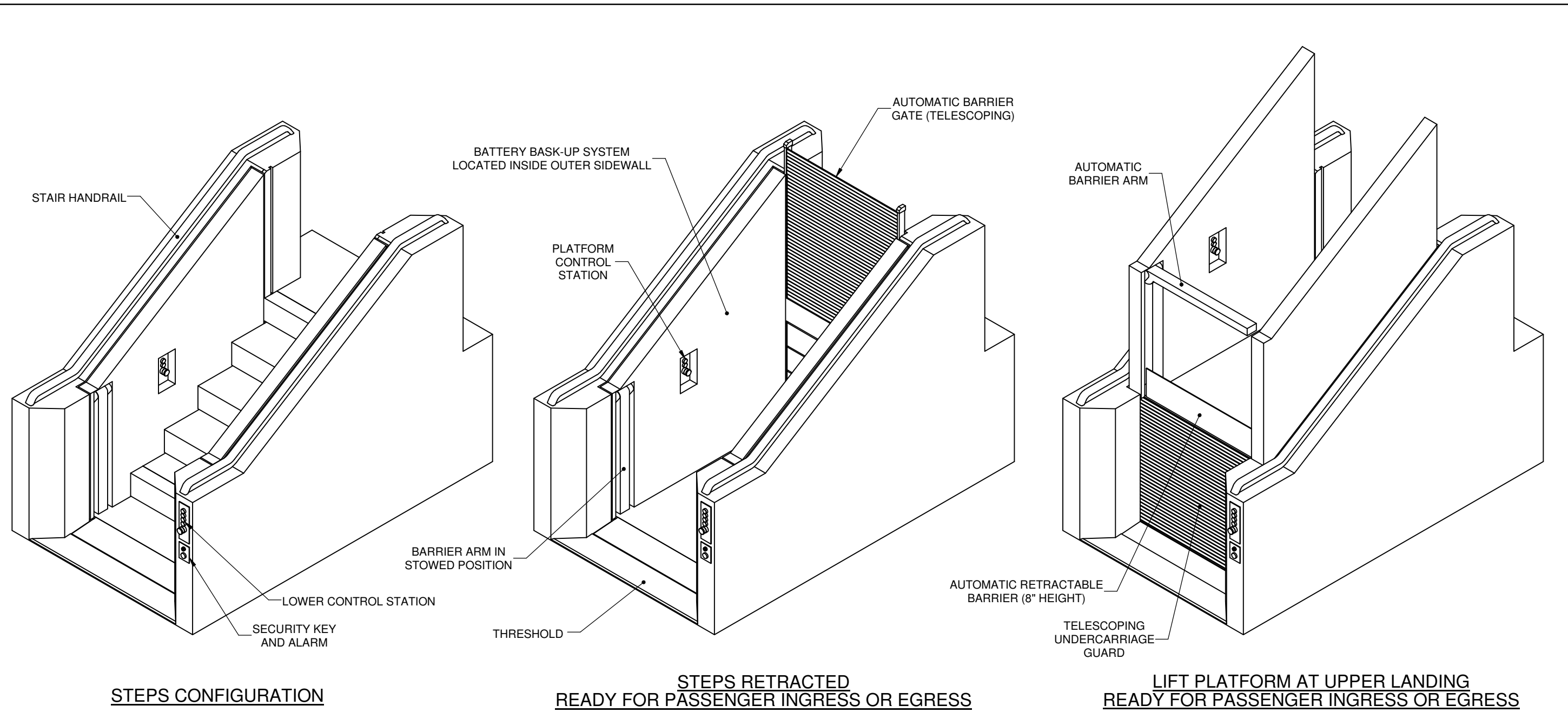
LIFT-U
 P.O. BOX 398
 ESCALON, CA. 95320
 209-838-2400

A DIVISION OF
HOGAN MFG., INC.

THIS DOCUMENT IS AND CONTAINS CONFIDENTIAL TRADE SECRET INFORMATION OF THE COMPANY. NO PART OF IT MAY BE REPRODUCED, STORED IN A RETRIEVAL SYSTEM, OR TRANSMITTED IN ANY FORM OR BY ANY MEANS ELECTRONICALLY, PHOTOCOPYING, RECORDING OR OTHERWISE, WITHOUT THE PRIOR WRITTEN PERMISSION OF HOGAN MFG., INC. THIS DOCUMENT IS LOANED FOR THE LIMITED PURPOSES STATED HEREIN ONLY, AND REMAINS THE PROPERTY OF THE COMPANY.

TITLE LIFT CONFIGURATION, 4-STEP

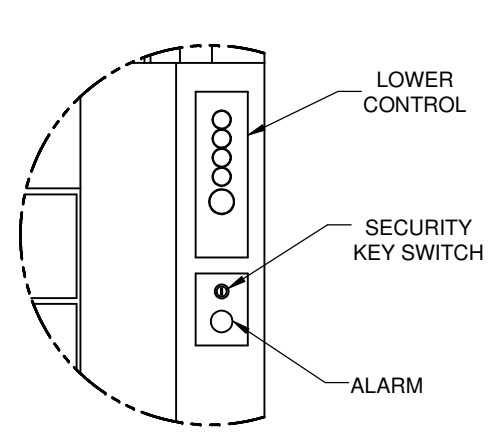
DOCUMENT NO. 910-0082 **SHEET NO.** 1 OF 2 **REVISION** B



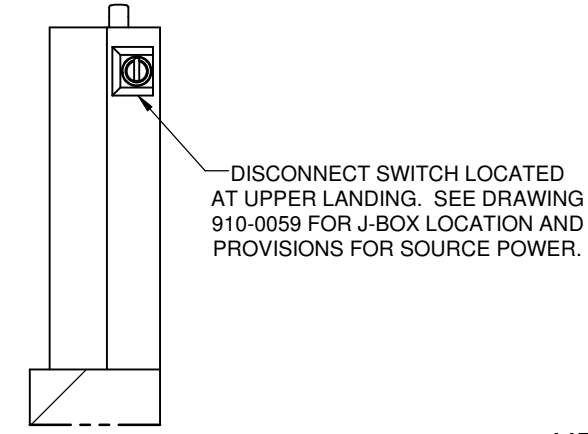
STEPS CONFIGURATION

STEPS RETRACTED
READY FOR PASSENGER INGRESS OR EGRESS

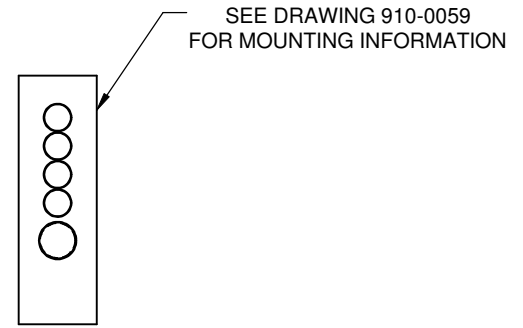
LIFT PLATFORM AT UPPER LANDING
READY FOR PASSENGER INGRESS OR EGRESS



DETAIL A




SECTION B-B
VIEW ROTATED FOR CLARITY



UPPER CONTROLS STATION

REFERENCE ONLY

 LIFT-U P.O. BOX 398 ESCALON, CA. 95320 209-838-2400	THIS DOCUMENT IS AND CONTAINS CONFIDENTIAL TRADE SECRET INFORMATION OF THE COMPANY. NO PART OF IT MAY BE REPRODUCED, STORED IN A RETRIEVAL SYSTEM, OR TRANSMITTED IN ANY FORM OR BY ANY MEANS ELECTRONICALLY, PHOTOCOPYING, RECORDING OR OTHERWISE, WITHOUT THE PRIOR WRITTEN PERMISSION OF HOGAN MFG., INC. THIS DOCUMENT IS LOANED FOR THE LIMITED PURPOSES STATED HEREIN ONLY, AND REMAINS THE PROPERTY OF THE COMPANY.	
	A DIVISION OF HOGAN MFG., INC.	
TITLE LIFT CONFIGURATION, 4-STEP		
DOCUMENT NO. 910-0082	SHEET NO. 2 OF 2	REVISION B