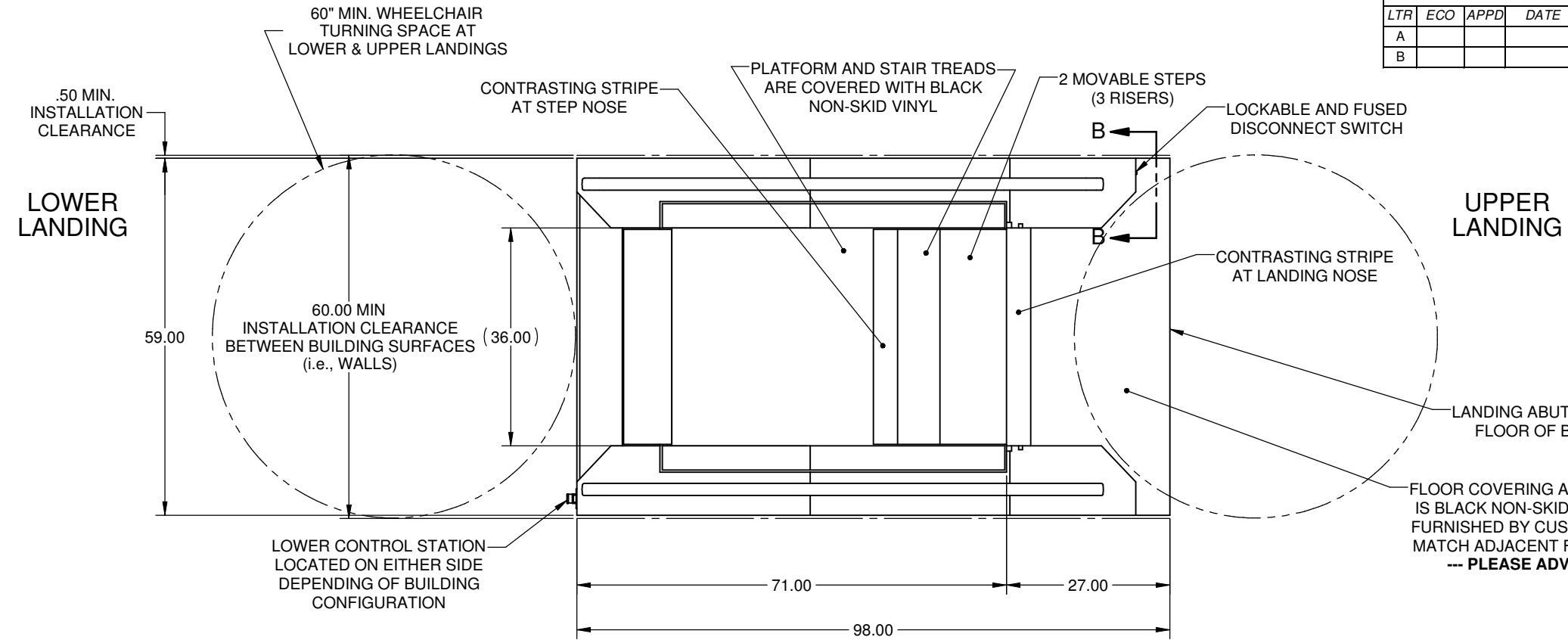
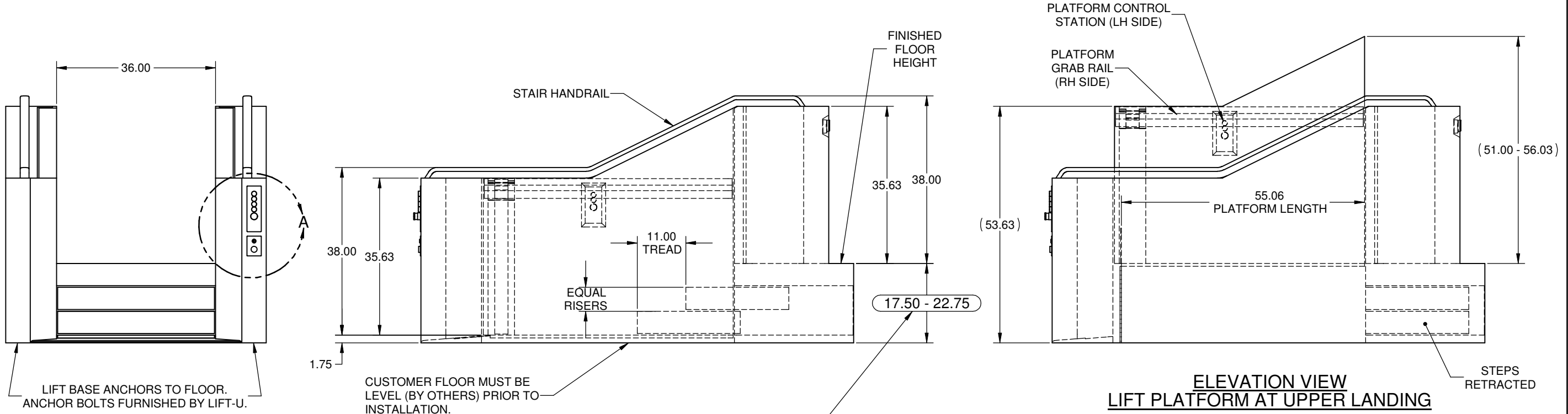


REVISIONS									
LTR	ECO	APPD	DATE	DESCRIPTION	DFTR	DATE	CHKR	DATE	
A				RELEASED	CAL	3/13/2009			
B				ADDED 60" TURN SPACE, NOTES & SHEET 2	BSA	10/18/2011			



- NOTES:**
1. THIS DRAWING IS SUBJECT TO CHANGE PENDING APPLICABLE STATE AND LOCAL CODES, AND CUSTOMER APPROVAL.
 2. CUSTOMER MUST PROVIDE APPLICABLE STATE AND LOCAL CODES TO LIFT-U PRIOR TO DESIGN.
 3. DRAWING MUST BE SIGNED BY CUSTOMER AND RETURNED TO LIFT-U PRIOR TO PRODUCTION RELEASE. CUSTOMER APPROVAL SIGNIFIES THAT ALL DIMENSIONS ARE CORRECT TO THEIR SPECIFICATIONS.
 4. SEE SHEET 2 OF 3 FOR LIFT SPECIFICATIONS.

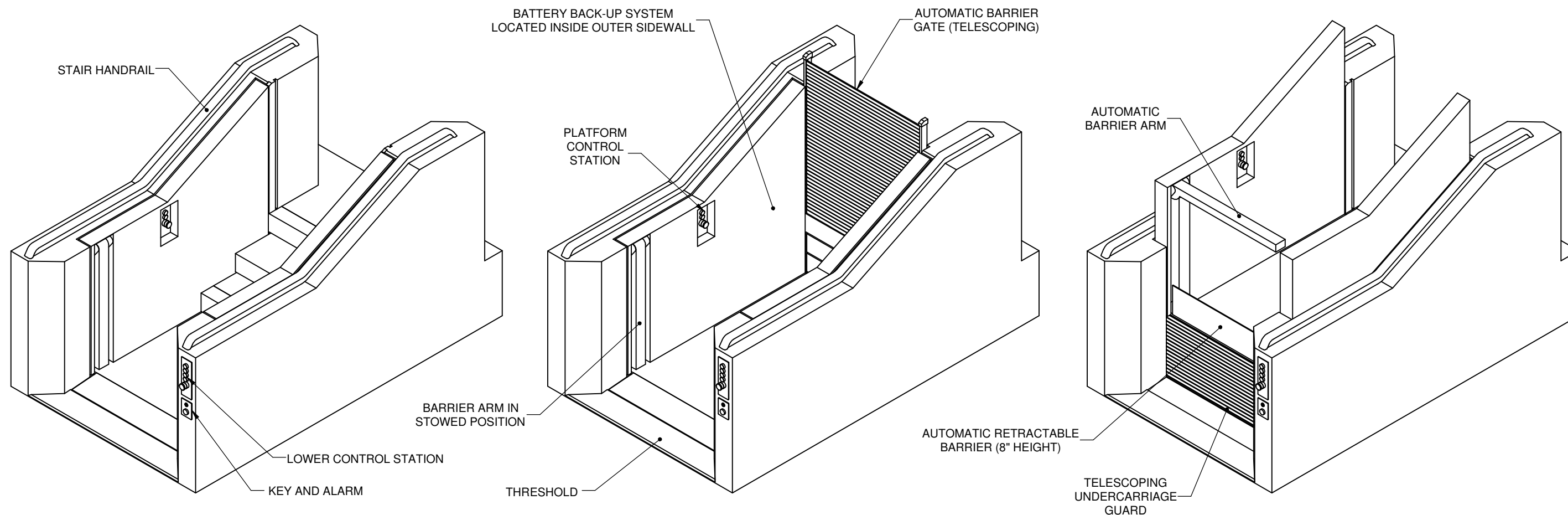


**ELEVATION VIEW
STEPS CONFIGURATION**

**ELEVATION VIEW
LIFT PLATFORM AT UPPER LANDING**

**APPROVAL NOTE:
CONTRACTOR MUST VERIFY LANDING HEIGHT
PRIOR TO RELEASE FOR FABRICATION.
MEASUREMENT TO BE TAKEN FROM BASE FLOOR
AT THE LOWER LANDING TO THE FINISH FLOOR
AT THE UPPER LANDING.**

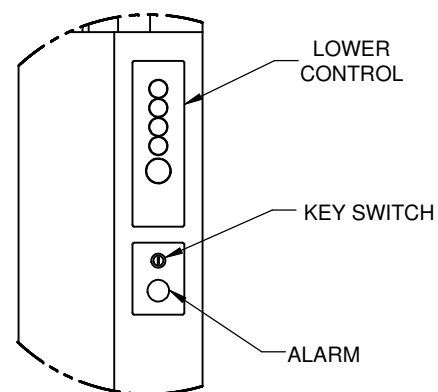
<p>LIFT-U P.O. BOX 398 ESCALON, CA. 95320 209-838-2400</p> <p>A DIVISION OF HOGAN MFG., INC.</p>	<p>THIS DOCUMENT IS AND CONTAINS CONFIDENTIAL TRADE SECRET INFORMATION OF THE COMPANY. NO PART OF IT MAY BE REPRODUCED, STORED IN A RETRIEVAL SYSTEM, OR TRANSMITTED IN ANY FORM OR BY ANY MEANS ELECTRONICALLY, PHOTOCOPIING, RECORDING OR OTHERWISE, WITHOUT THE PRIOR WRITTEN PERMISSION OF HOGAN MFG, INC. THIS DOCUMENT IS LOANED FOR THE LIMITED PURPOSES STATED HEREIN ONLY, AND REMAINS THE PROPERTY OF THE COMPANY.</p>	
	<p>TITLE LIFT CONFIGURATION, 2-STEP</p>	
<p>DOCUMENT NO. 910-0080</p>	<p>SHEET NO. 1 OF 2</p>	<p>REVISION B</p>



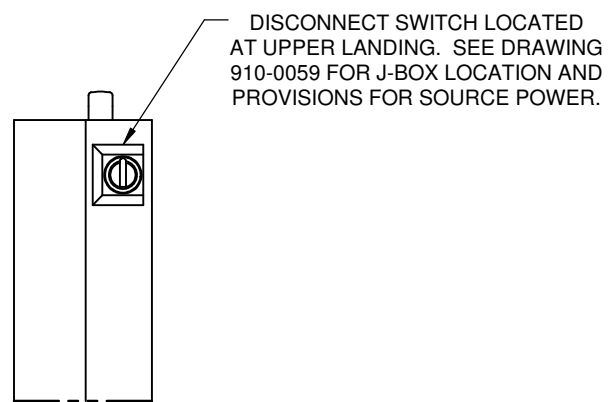
STEPS CONFIGURATION

STEPS RETRACTED
READY FOR PASSENGER INGRESS OR EGRESS

LIFT PLATFORM AT UPPER LANDING
READY FOR PASSENGER INGRESS OR EGRESS

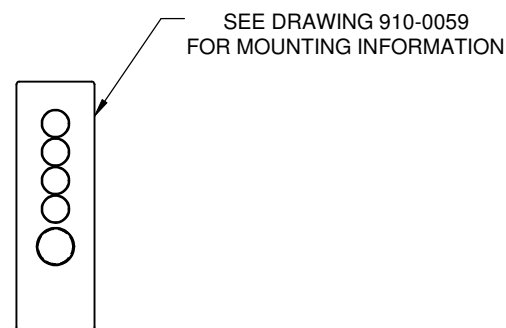


DETAIL A




SECTION B-B

VIEW ROTATED FOR CLARITY



UPPER CONTROLS STATION

REFERENCE ONLY

 LIFT-U P.O. BOX 398 ESCALON, CA. 95320 209-838-2400	THIS DOCUMENT IS AND CONTAINS CONFIDENTIAL TRADE SECRET INFORMATION OF THE COMPANY. NO PART OF IT MAY BE REPRODUCED, STORED IN A RETRIEVAL SYSTEM, OR TRANSMITTED IN ANY FORM OR BY ANY MEANS ELECTRONICALLY, PHOTOCOPYING, RECORDING OR OTHERWISE, WITHOUT THE PRIOR WRITTEN PERMISSION OF HOGAN MFG., INC. THIS DOCUMENT IS LOANED FOR THE LIMITED PURPOSES STATED HEREIN ONLY, AND REMAINS THE PROPERTY OF THE COMPANY.	
	A DIVISION OF HOGAN MFG., INC.	
TITLE LIFT CONFIGURATION, 2-STEP		
DOCUMENT NO. 910-0080	SHEET NO. 2 OF 2	REVISION B