

REVISIONS						
REV	ECO	DESCRIPTION	CREATED	DATE	APPROVED	DATE
A		RELEASED	WAC	4-19-16		

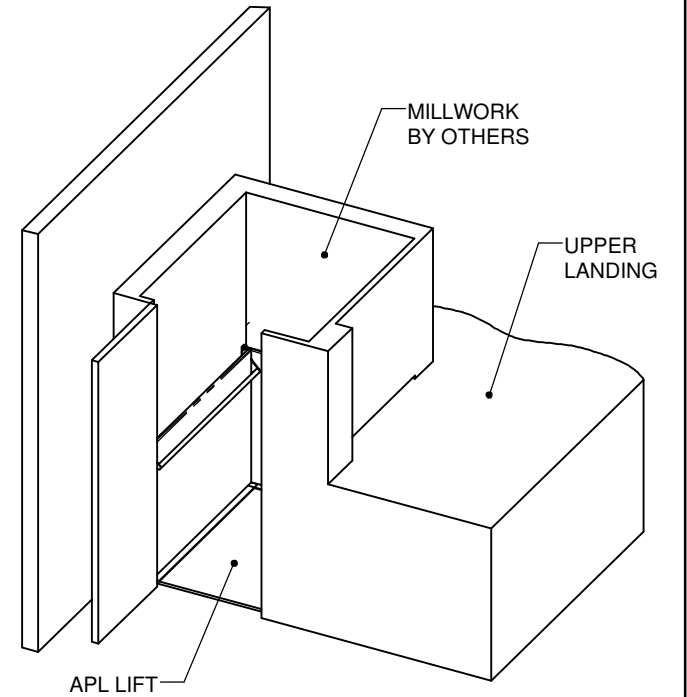
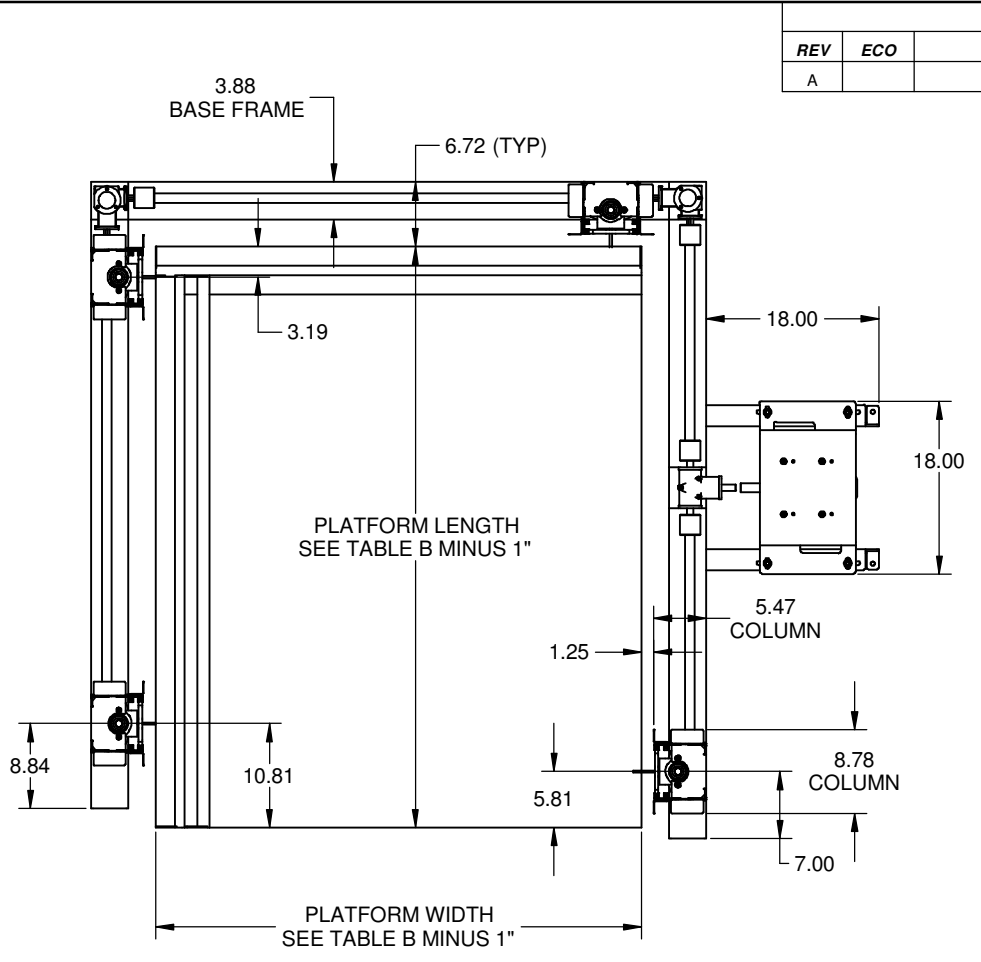
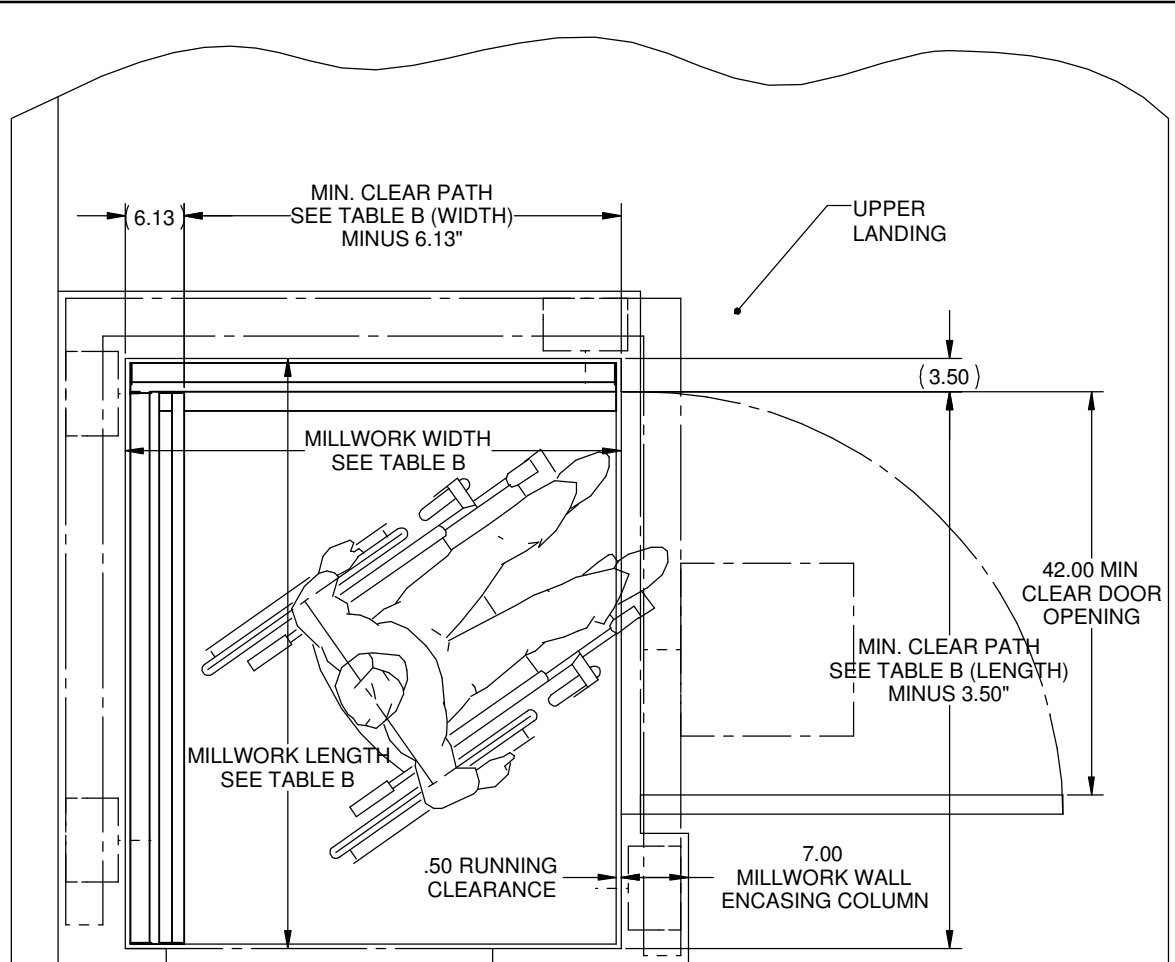
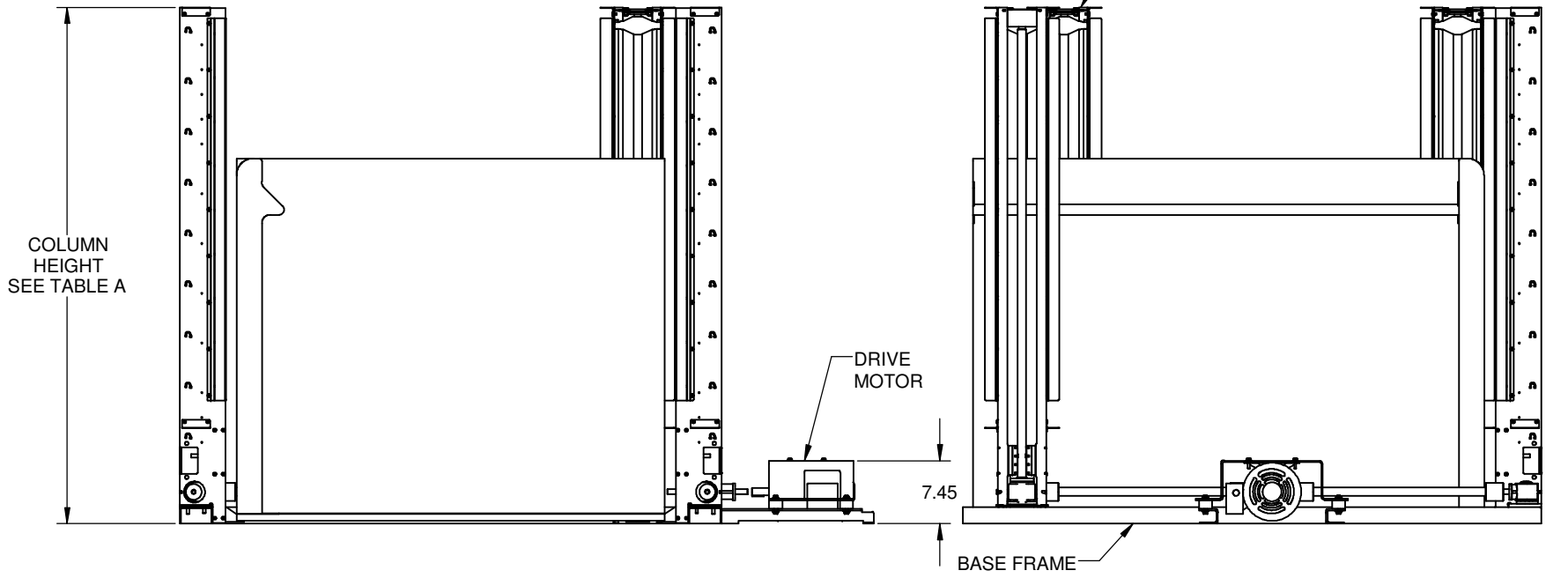


TABLE B	
APL 90 DEG EGRESS	
WIDTH	LENGTH
42.13"	63.50"
43.13"	62.50"
44.13"	61.50"
45.13"	60.50"



APL SIMPLE TEMPLATE  
MILLWORK FOOTPRINT SHOWN

APL DETAILED LIFT TEMPLATE

- NOTES:
- SPECIFIC TO THIS CONFIGURATION, THE MINIMUM PLATFORM WIDTH CORRESPONDS TO THE MINIMUM PLATFORM LENGTH - REFER TO TABLE. PLATFORMS SHOULD NOT EXCEED 18 SQ. FT.
  - MAXIMUM VERTICAL TRAVEL IS 48".
  - FOR LIFT APPLICATIONS THAT DO NOT CORRESPOND WITH LIFT-U'S STANDARD TEMPLATES, CONTACT LIFT-U FOR EVALUATION.
  - FOR ADDITIONAL INFORMATION, INCLUDING MILLWORK INTERFACE DETAILS, REFER TO APL LIFT APPLICATION GUIDELINES.

TABLE A	
COLUMN HEIGHT	LIFT TRAVEL
25"	UP TO 12"
37"	UP TO 24"
49"	UP TO 36"
61"	UP TO 48"

**LIFT-U**  
P.O. BOX 398  
ESCALON, CA. 95320  
209-838-2400

A DIVISION OF  
**HOGAN MFG., INC.**

THIS DOCUMENT IS AND CONTAINS CONFIDENTIAL TRADE SECRET INFORMATION OF THE COMPANY. NO PART OF IT MAY BE REPRODUCED, STORED IN A RETRIEVAL SYSTEM, OR TRANSMITTED IN ANY FORM OR BY ANY MEANS ELECTRONICALLY, PHOTOCOPIING, RECORDING OR OTHERWISE, WITHOUT THE PRIOR WRITTEN PERMISSION OF HOGAN MFG, INC. THIS DOCUMENT IS LOANED FOR THE LIMITED PURPOSES STATED HEREIN ONLY, AND REMAINS THE PROPERTY OF THE COMPANY.

TITLE		
<b>APL TEMPLATE, LAYOUT B</b>		
DOCUMENT NO.	SHEET NO.	REVISION
910-0118	1 OF 1	A