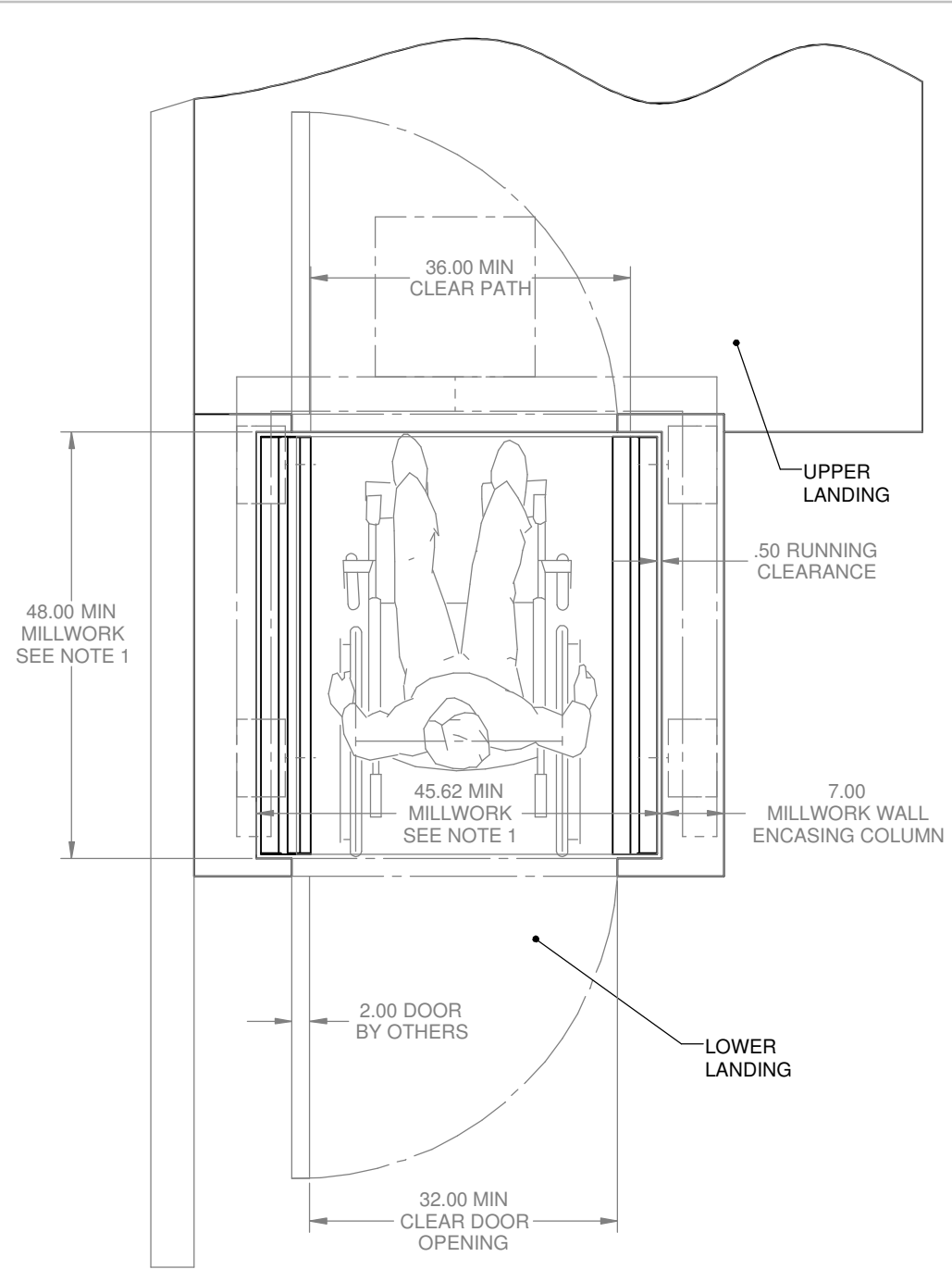


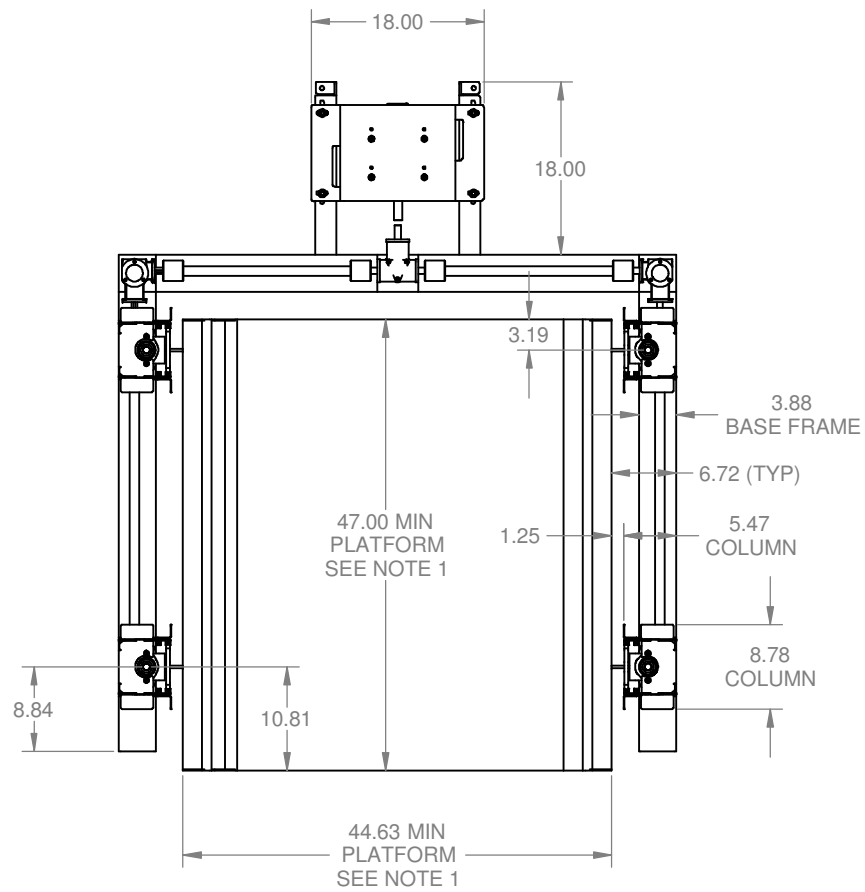
REVISIONS						
REV	ECO	DESCRIPTION	CREATED	DATE	APPROVED	DATE
A		RELEASED	WAC	4-18-16		



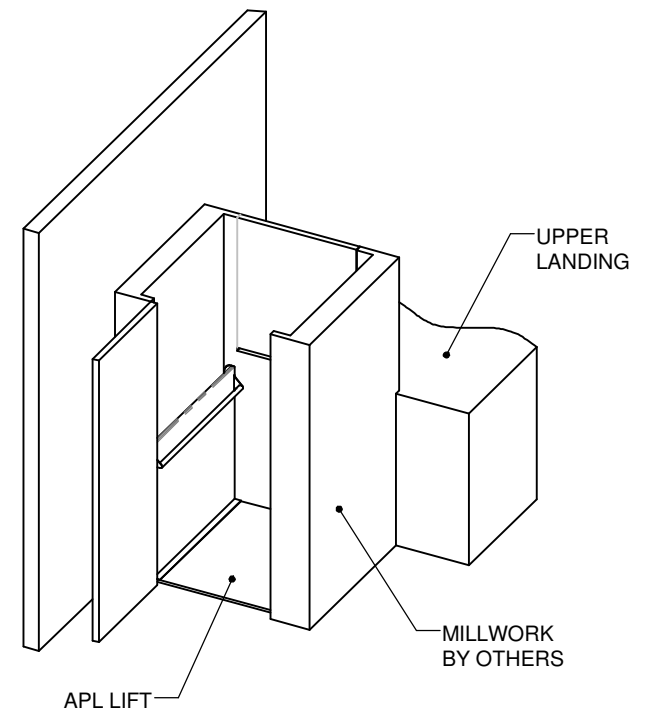
APL SIMPLE TEMPLATE
MILLWORK FOOTPRINT SHOWN

NOTES:

1. MINIMUM PLATFORM DIMENSIONS ARE SHOWN. PLATFORMS SHOULD NOT EXCEED 18 SQ. FT.
2. MAXIMUM VERTICAL TRAVEL IS 48".
3. FOR LIFT APPLICATIONS THAT DO NOT CORRESPOND WITH LIFT-U'S STANDARD TEMPLATES, CONTACT LIFT-U FOR EVALUATION.
4. FOR ADDITIONAL INFORMATION, INCLUDING MILLWORK INTERFACE DETAILS, REFER TO APL LIFT APPLICATION GUIDELINES.



APL DETAILED LIFT TEMPLATE



PERSPECTIVE VIEW

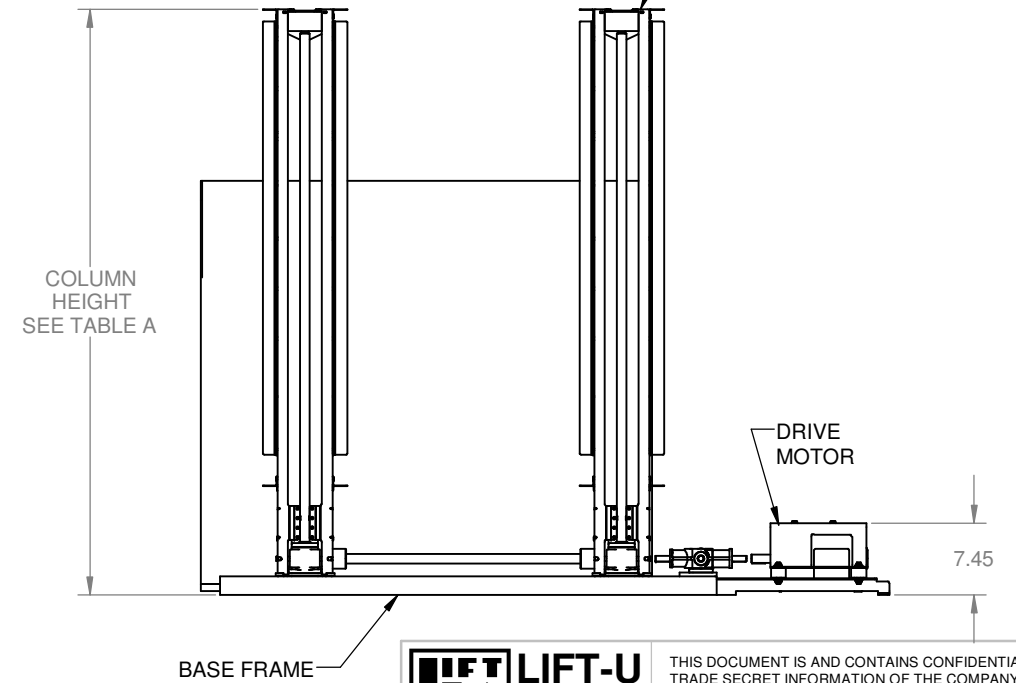
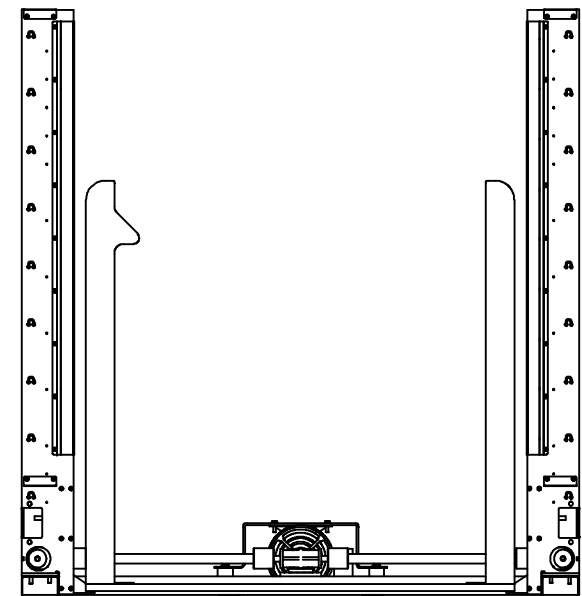


TABLE A	
COLUMN HEIGHT	LIFT TRAVEL
25"	UP TO 12"
37"	UP TO 24"
49"	UP TO 36"
61"	UP TO 48"



A DIVISION OF
HOGAN MFG., INC.

THIS DOCUMENT IS AND CONTAINS CONFIDENTIAL TRADE SECRET INFORMATION OF THE COMPANY. NO PART OF IT MAY BE REPRODUCED, STORED IN A RETRIEVAL SYSTEM, OR TRANSMITTED IN ANY FORM OR BY ANY MEANS ELECTRONICALLY, PHOTOCOPIING, RECORDING OR OTHERWISE, WITHOUT THE PRIOR WRITTEN PERMISSION OF HOGAN MFG, INC. THIS DOCUMENT IS LOANED FOR THE LIMITED PURPOSES STATED HEREIN ONLY, AND REMAINS THE PROPERTY OF THE COMPANY.

TITLE: APL TEMPLATE, LAYOUT A
DOCUMENT NO. 910-0117
SHEET NO. 1 OF 1
REVISION A