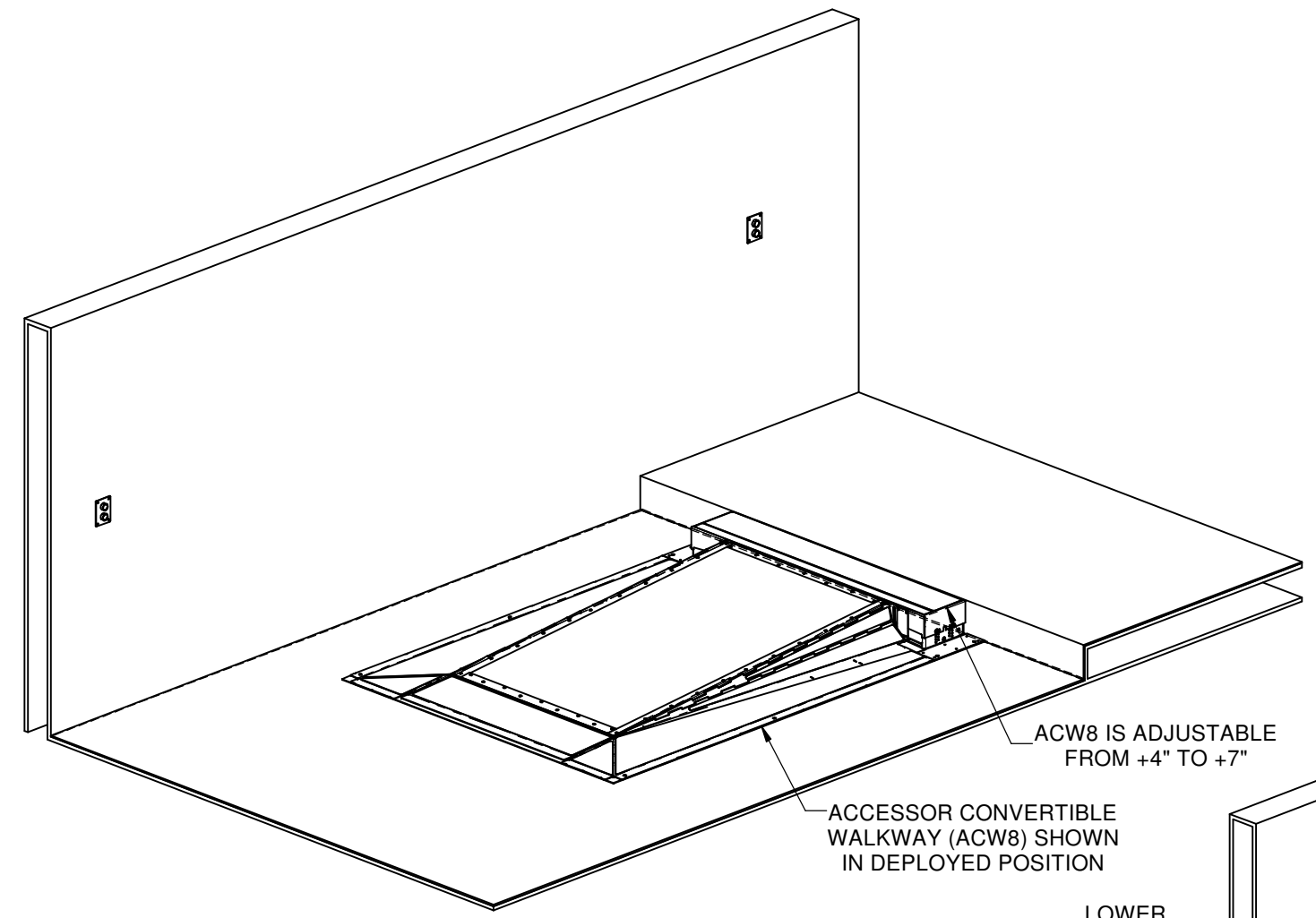
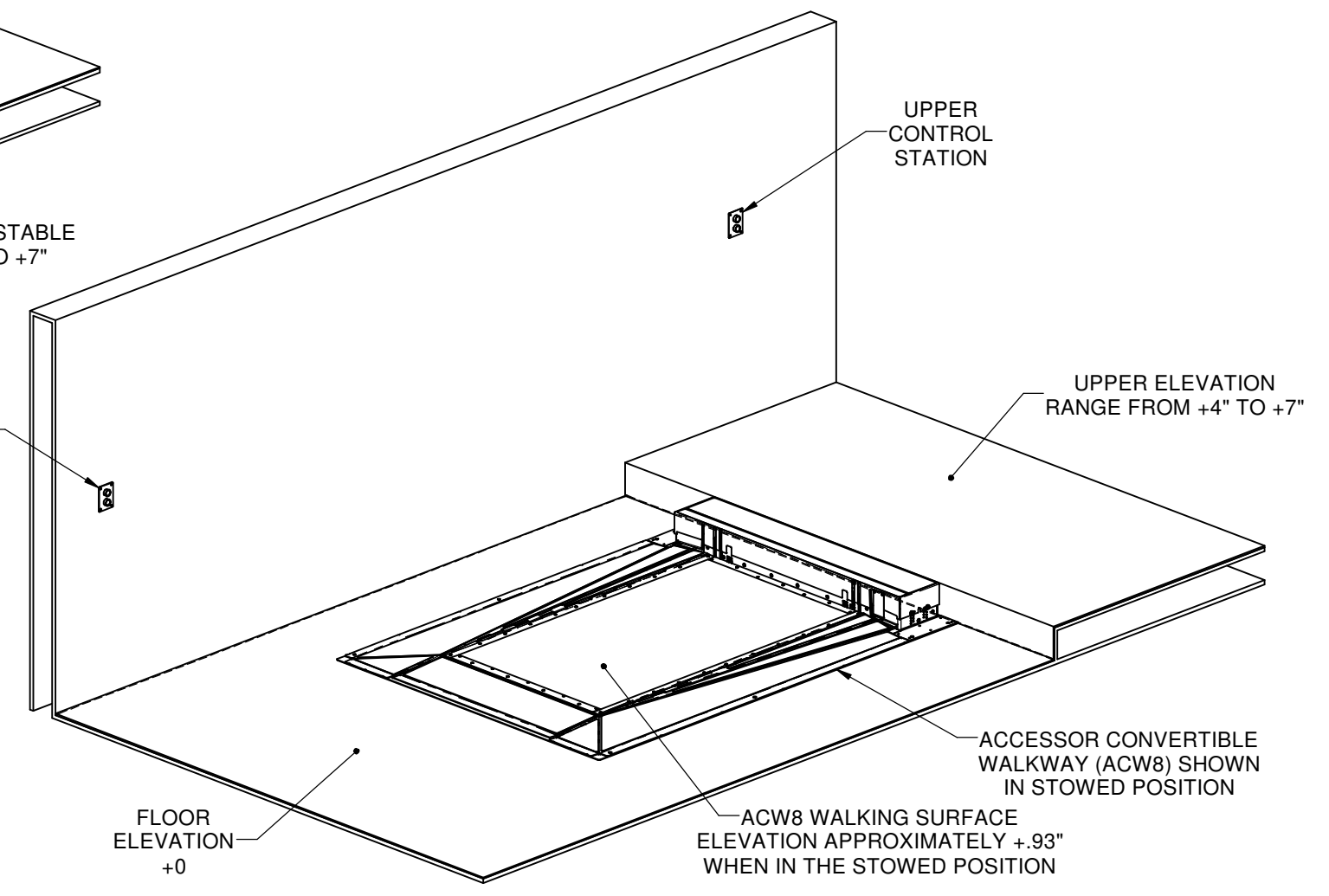


REVISIONS						
REV	ECO	DESCRIPTION	CREATED	DATE	APPROVED	DATE
A		RELEASED	CAL	2/27/2017		
B		PICTORIAL UPDATE	BSA	3-22-17		




DEPLOYED / INCLINED



STOWED / STEP

NOTE:
THIS DRAWING IS GENERIC AND PROVIDED FOR INFORMATION ONLY.
REFER TO ACW8 CONFIGURATION FOR SITE SPECIFIC CONDITIONS.

 LIFT-U <small>P.O. BOX 398 ESCALON, CA. 95320 209-838-2400</small>	<small>THIS DOCUMENT IS AND CONTAINS CONFIDENTIAL TRADE SECRET INFORMATION OF THE COMPANY. NO PART OF IT MAY BE REPRODUCED, STORED IN A RETRIEVAL SYSTEM, OR TRANSMITTED IN ANY FORM OR BY ANY MEANS ELECTRONICALLY, PHOTOCOPYING, RECORDING OR OTHERWISE, WITHOUT THE PRIOR WRITTEN PERMISSION OF HOGAN MFG, INC. THIS DOCUMENT IS LOANED FOR THE LIMITED PURPOSES STATED HEREIN ONLY, AND REMAINS THE PROPERTY OF THE COMPANY.</small>	
	A DIVISION OF HOGAN MFG., INC.	
TITLE ACW8 GENERIC LAYOUT (INDOOR)		
DOCUMENT NO. 920-1012	SHEET NO. 1 OF 1	REVISION B