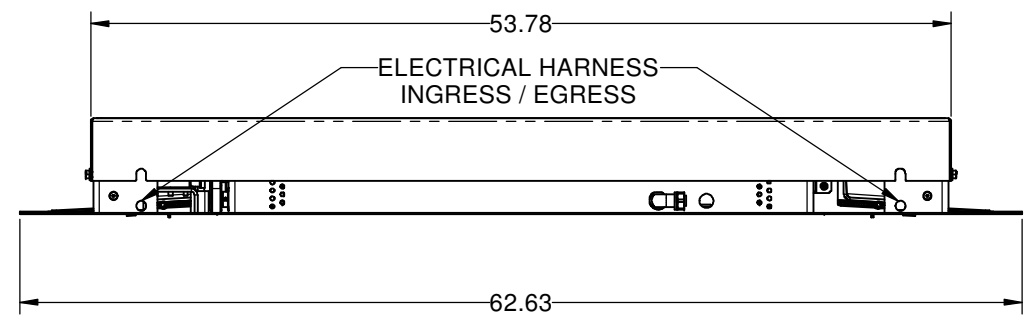
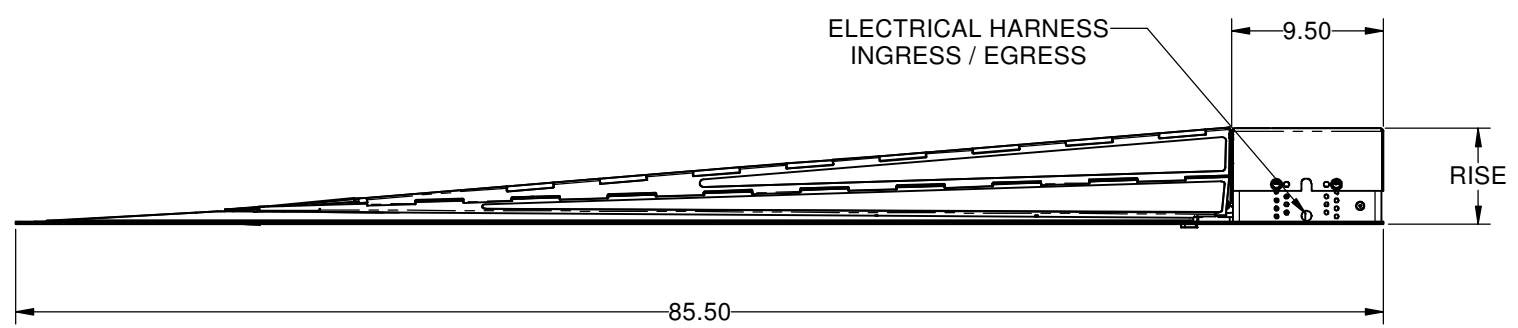


REVISIONS						
REV	ECO	DESCRIPTION	CREATED	DATE	APPROVED	DATE
A		RELEASED	BSA	2-1-17		
B		PICTORIAL UPDATE	BSA	3-22-17		



ELEVATION VIEW

SEE TABLE ON SHT 2 OF 3 FOR RISE, RUN AND ANGLE DIMENSIONS



LIFT-U[®]
P.O. BOX 388
ESCALON, CA. 95320
209-838-2400

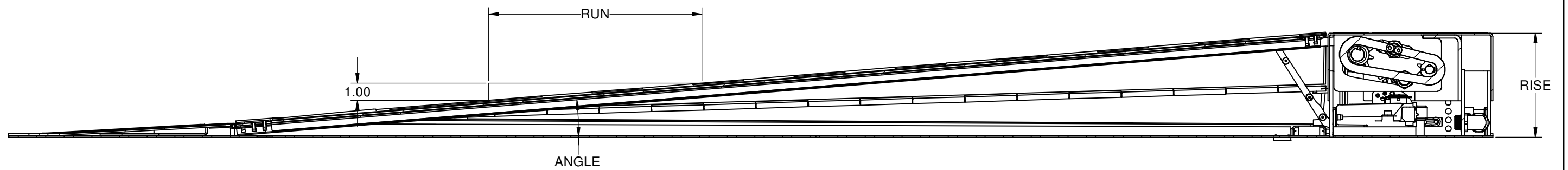
A DIVISION OF
HOGAN MFG., INC.

THIS DOCUMENT IS AND CONTAINS CONFIDENTIAL TRADE SECRET INFORMATION OF THE COMPANY. NO PART OF IT MAY BE REPRODUCED, STORED IN A RETRIEVAL SYSTEM, OR TRANSMITTED IN ANY FORM OR BY ANY MEANS ELECTRONICALLY, PHOTOCOPIING, RECORDING OR OTHERWISE, WITHOUT THE PRIOR WRITTEN PERMISSION OF HOGAN MFG, INC. THIS DOCUMENT IS LOANED FOR THE LIMITED PURPOSES STATED HEREIN ONLY, AND REMAINS THE PROPERTY OF THE COMPANY.

TITLE	ACW8 ENVELOPE (4"-7" RISE)		
DOCUMENT NO.	920-0006	SHEET NO.	1 OF 3
REVISION			B




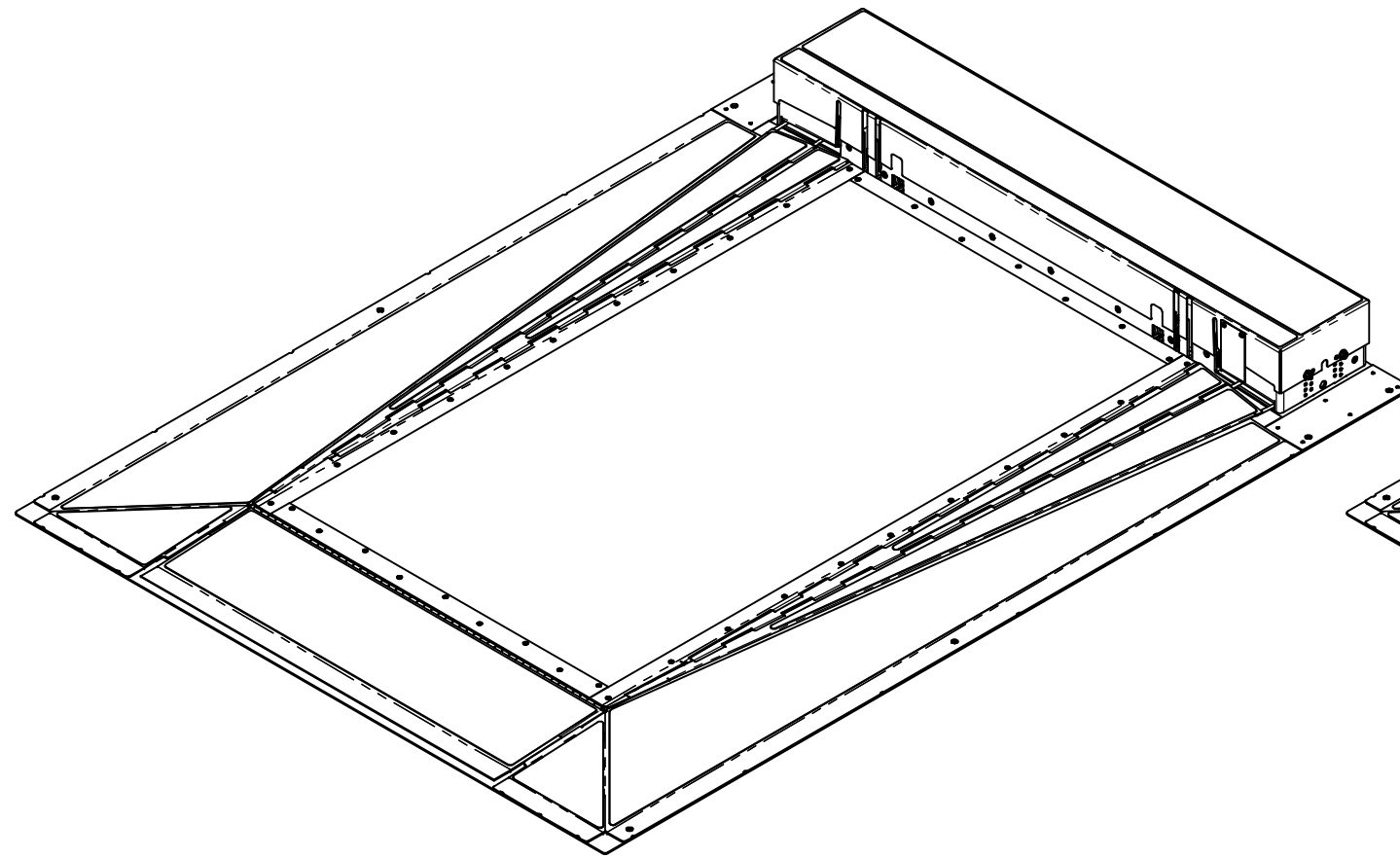
ELEVATION VIEW - STOWED POSITION (6" RISE SHOWN)



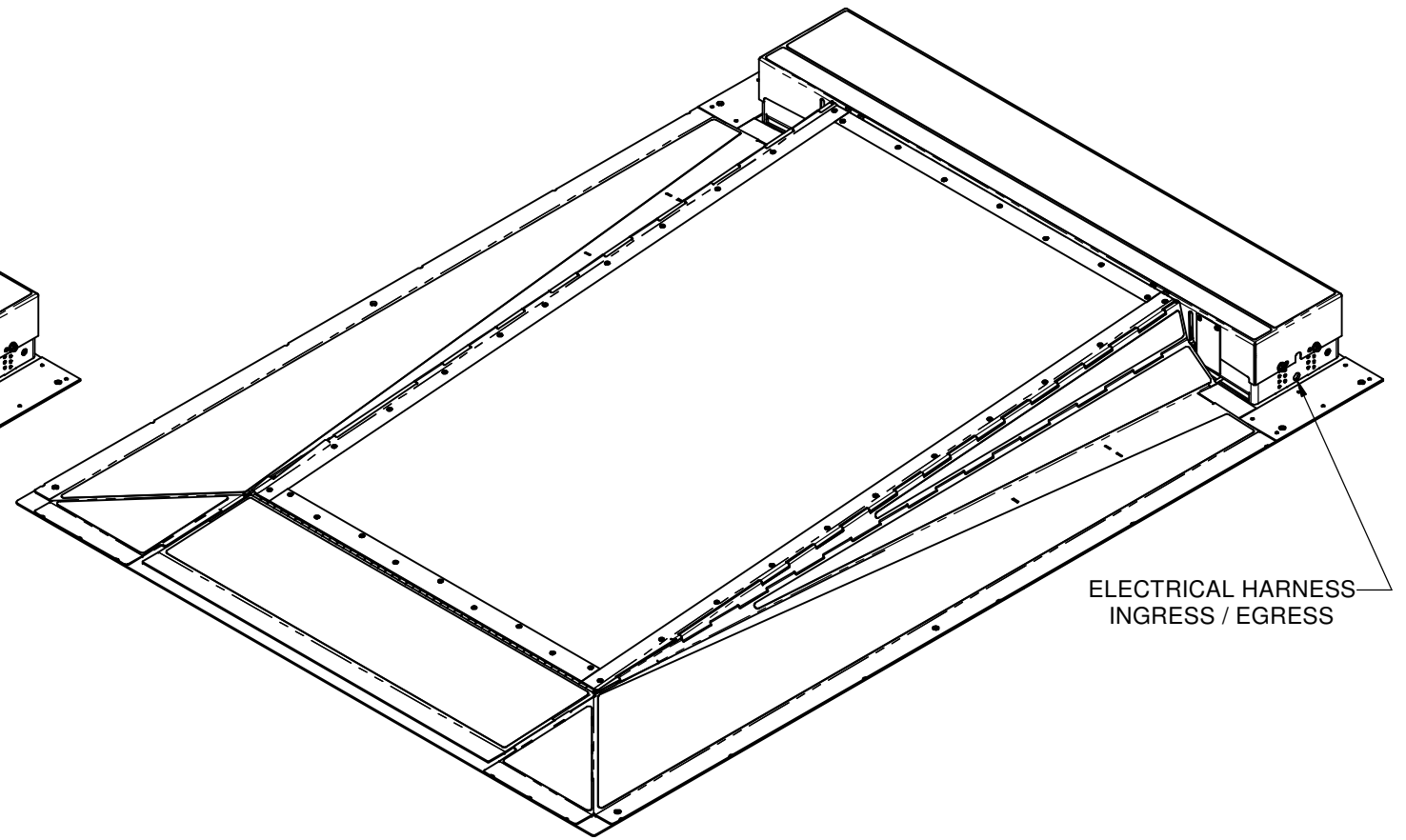
SECTION VIEW - DEPLOYED / INCLINED POSITION (6" RISE SHOWN)

<i>RISE</i>	<i>RUN</i>	<i>ANGLE</i>
4"	1 : 20	2.9°
4.50"	1 : 17	3.3°
5"	1 : 15	3.8°
5.50"	1 : 14	4.2°
6"	1 : 12	4.7°
6.50"	1 : 11	5.1°
7"	1 : 10	5.6°

 LIFT-U® P.O. BOX 398 ESCALON, CA. 95320 209-838-2400 A DIVISION OF HOGAN MFG., INC.	THIS DOCUMENT IS AND CONTAINS CONFIDENTIAL TRADE SECRET INFORMATION OF THE COMPANY. NO PART OF IT MAY BE REPRODUCED, STORED IN A RETRIEVAL SYSTEM, OR TRANSMITTED IN ANY FORM OR BY ANY MEANS ELECTRONICALLY, PHOTOCOPYING, RECORDING OR OTHERWISE, WITHOUT THE PRIOR WRITTEN PERMISSION OF HOGAN MFG, INC. THIS DOCUMENT IS LOANED FOR THE LIMITED PURPOSES STATED HEREIN ONLY, AND REMAINS THE PROPERTY OF THE COMPANY.	
	TITLE ACW8 ENVELOPE (4"-7" RISE)	
DOCUMENT NO. 920-0006	SHEET NO. 2 OF 3	REVISION B

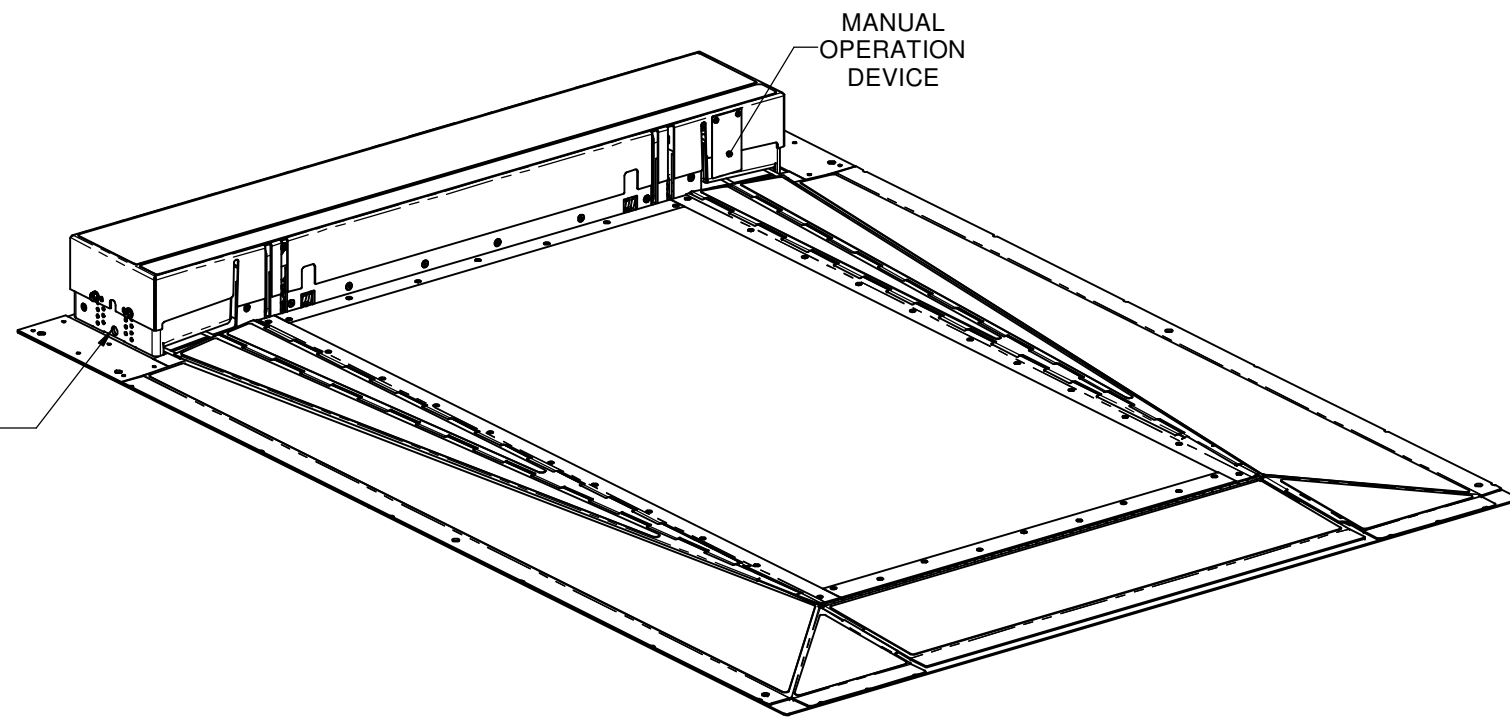


ISOMETRIC VIEW
STOWED / STEP POSITION



ELECTRICAL HARNESS
INGRESS / EGRESS

ISOMETRIC VIEW
DEPLOYED / INCLINED POSITION



ELECTRICAL HARNESS
INGRESS / EGRESS

MANUAL
OPERATION
DEVICE

REVERSE ISOMETRIC VIEW
STOWED / STEP POSITION

ACW8 SPECIFICATIONS	
CAPACITY:	1,000 LBS. MAX
POWER SOURCE:	115 VAC - 15 AMP - 3 WIRE - 1PH (LINE, NEUTRAL, GROUND)
CONTROL STATIONS:	SHIPPED LOOSE MOUNTING BY OTHERS
EMERGENCY POWER:	BATTERY BACK-UP (UPS) OPTIONAL
MANUAL OPERATION:	INCLUDED



LIFT-U

P.O. BOX 398
ESCALON, CA. 95320
209-838-2400

A DIVISION OF
HOGAN MFG., INC.

THIS DOCUMENT IS AND CONTAINS CONFIDENTIAL TRADE SECRET INFORMATION OF THE COMPANY. NO PART OF IT MAY BE REPRODUCED, STORED IN A RETRIEVAL SYSTEM, OR TRANSMITTED IN ANY FORM OR BY ANY MEANS ELECTRONICALLY, PHOTOCOPIING, RECORDING OR OTHERWISE, WITHOUT THE PRIOR WRITTEN PERMISSION OF HOGAN MFG, INC. THIS DOCUMENT IS LOANED FOR THE LIMITED PURPOSES STATED HEREIN ONLY, AND REMAINS THE PROPERTY OF THE COMPANY.

TITLE	ACW8 ENVELOPE (4"-7" RISE)		
DOCUMENT NO.	920-0006	SHEET NO. 3 OF 3	REVISION B