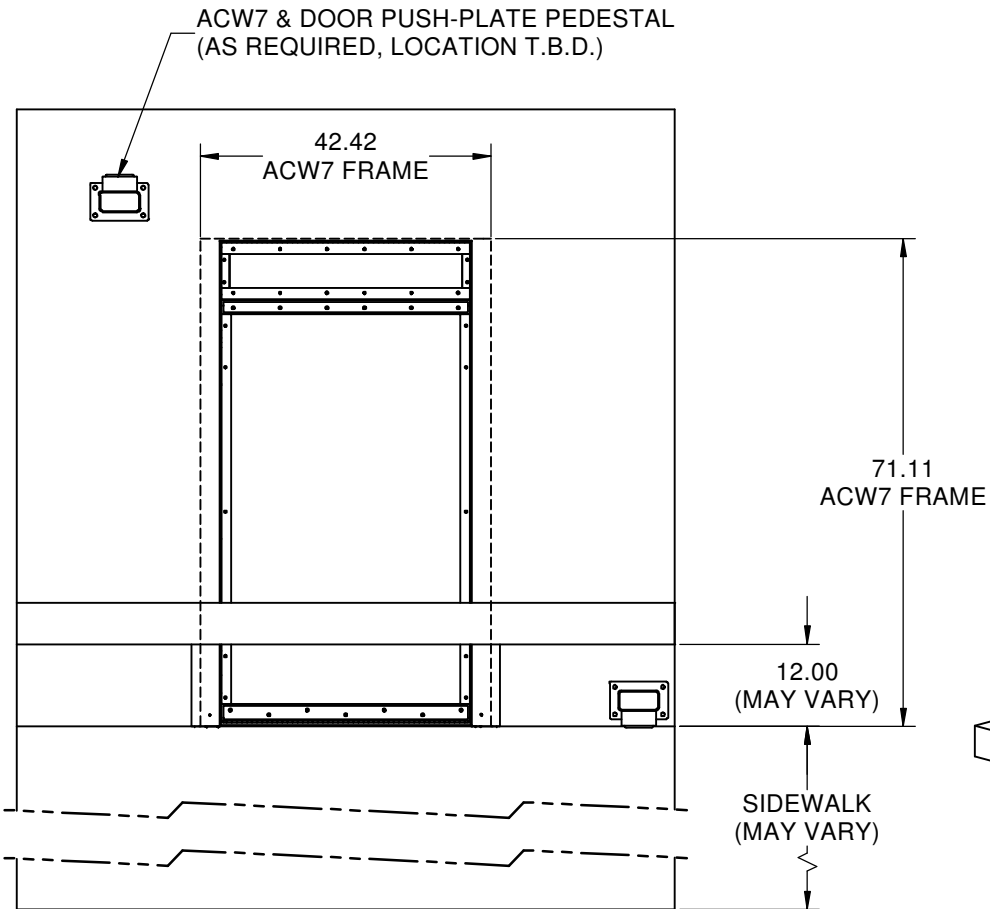
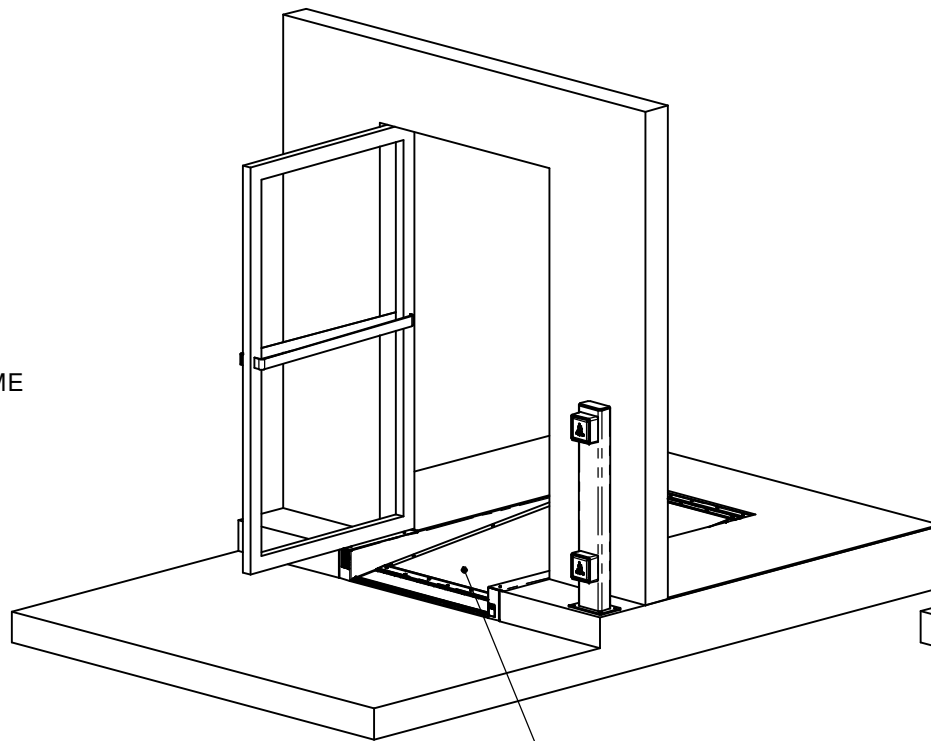


REVISIONS						
REV	ECO	DESCRIPTION	CREATED	DATE	APPROVED	DATE
A		RELEASED	WAC	2-23-17		

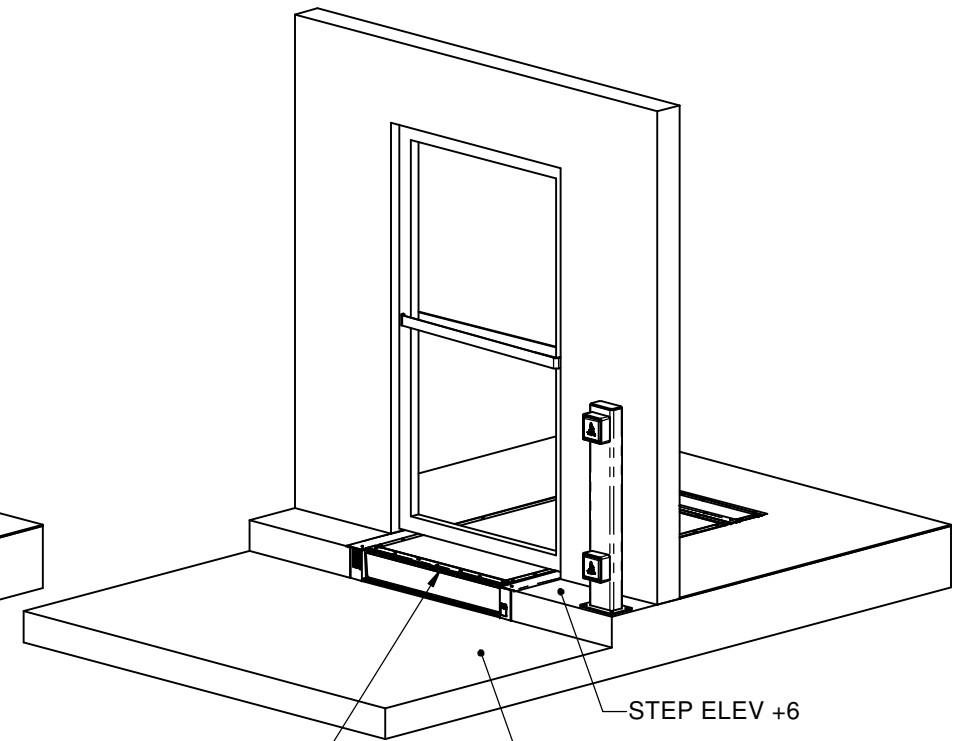


PLAN VIEW



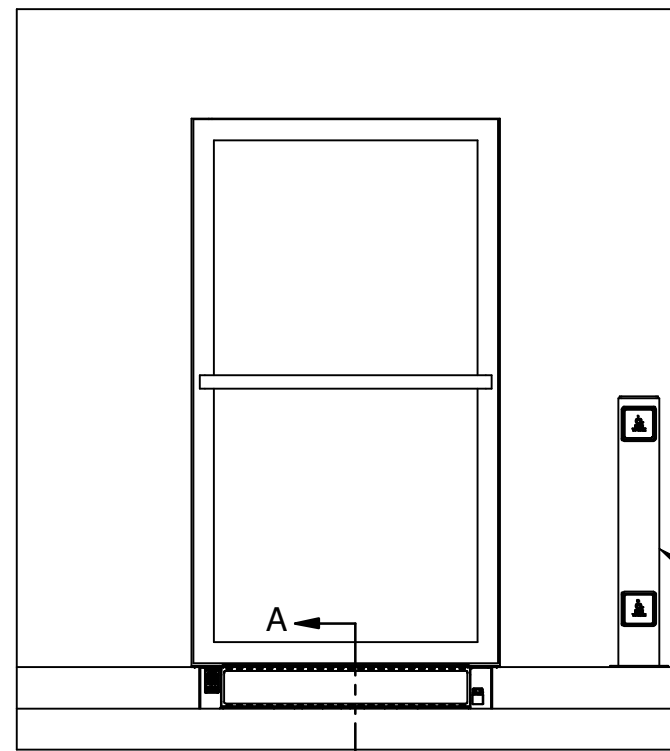
ACCESSOR CONVERTIBLE WALKWAY (ACW7) IN DEPLOYED POSITION

DEPLOYED / INCLINED

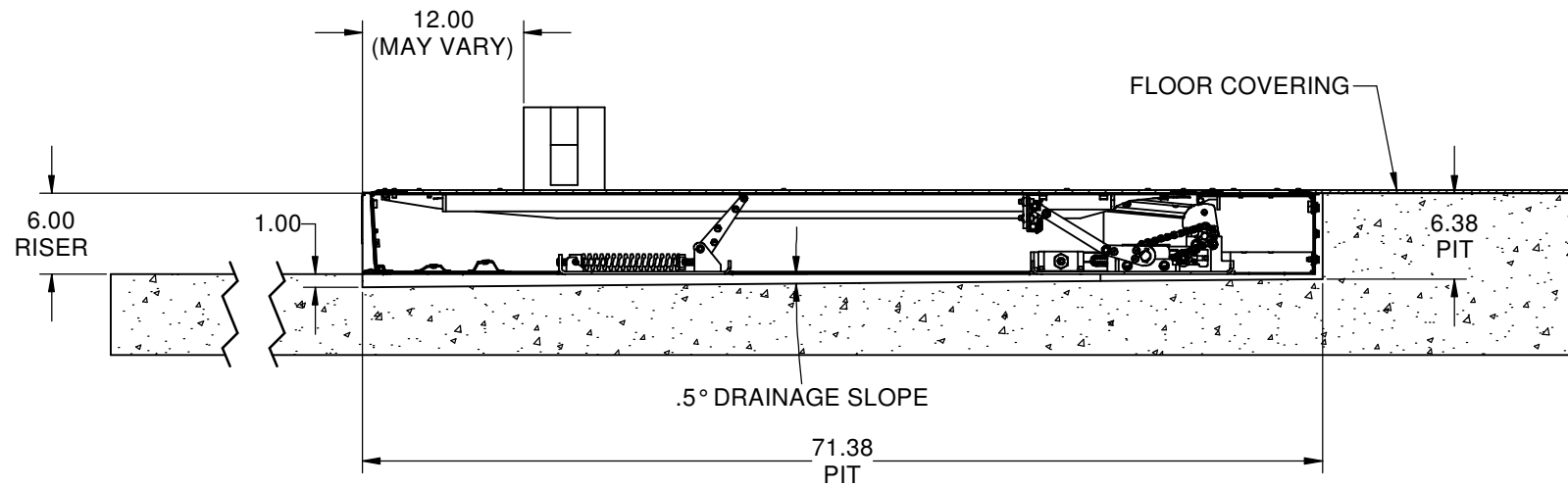


ACCESSOR CONVERTIBLE WALKWAY (ACW7) IN STOWED POSITION

STOWED / STEP



ELEVATION VIEW



SECTION A-A

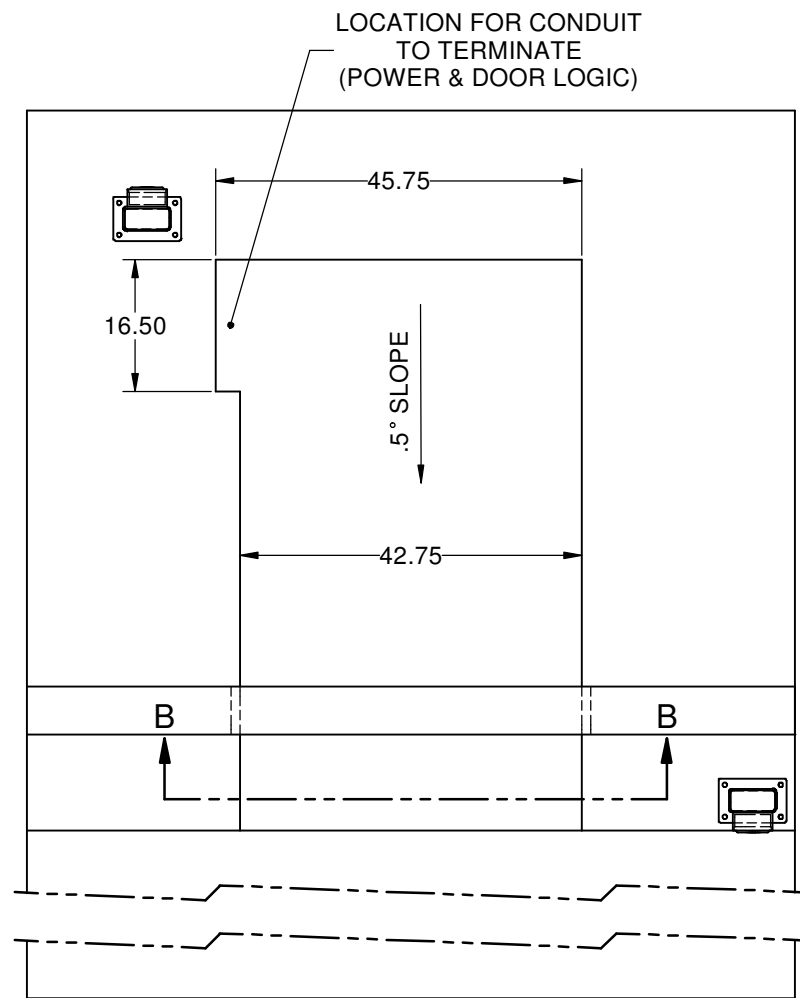
ACW7 & DOOR PUSH-PLATE PEDESTAL (AS REQUIRED, LOCATION T.B.D.)

NOTE:  
THIS DRAWING IS GENERIC AND PROVIDED FOR INFORMATION ONLY.  
REFER TO ACW7 CONFIGURATION FOR SPECIFIC CONDITIONS.

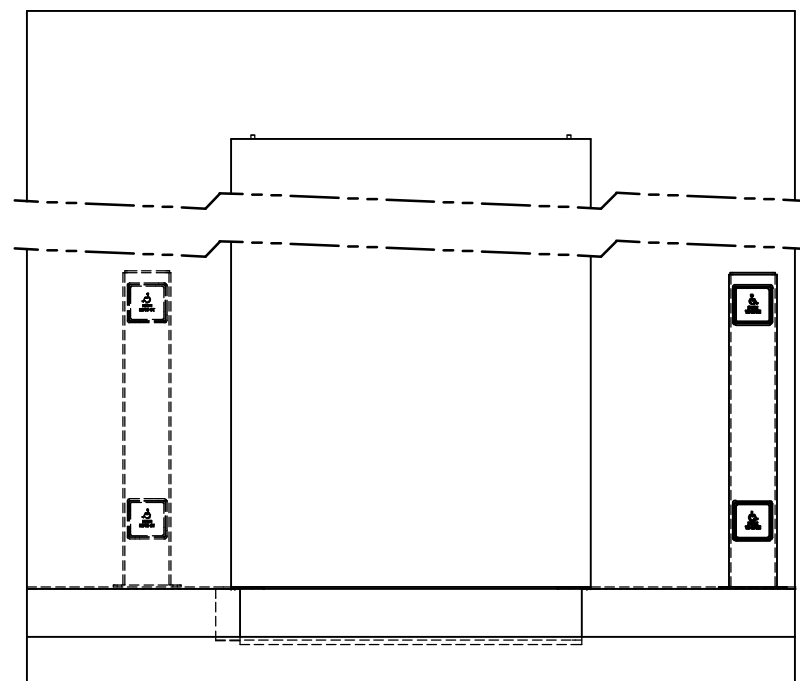
**LIFT-U**  
P.O. BOX 398  
ESCALON, CA. 95320  
209-838-2400  
A DIVISION OF  
**HOGAN MFG., INC.**

THIS DOCUMENT IS AND CONTAINS CONFIDENTIAL TRADE SECRET INFORMATION OF THE COMPANY. NO PART OF IT MAY BE REPRODUCED, STORED IN A RETRIEVAL SYSTEM, OR TRANSMITTED IN ANY FORM OR BY ANY MEANS ELECTRONICALLY, PHOTOCOPIED, RECORDED OR OTHERWISE, WITHOUT THE PRIOR WRITTEN PERMISSION OF HOGAN MFG, INC. THIS DOCUMENT IS LOANED FOR THE LIMITED PURPOSES STATED HEREIN ONLY, AND REMAINS THE PROPERTY OF THE COMPANY.

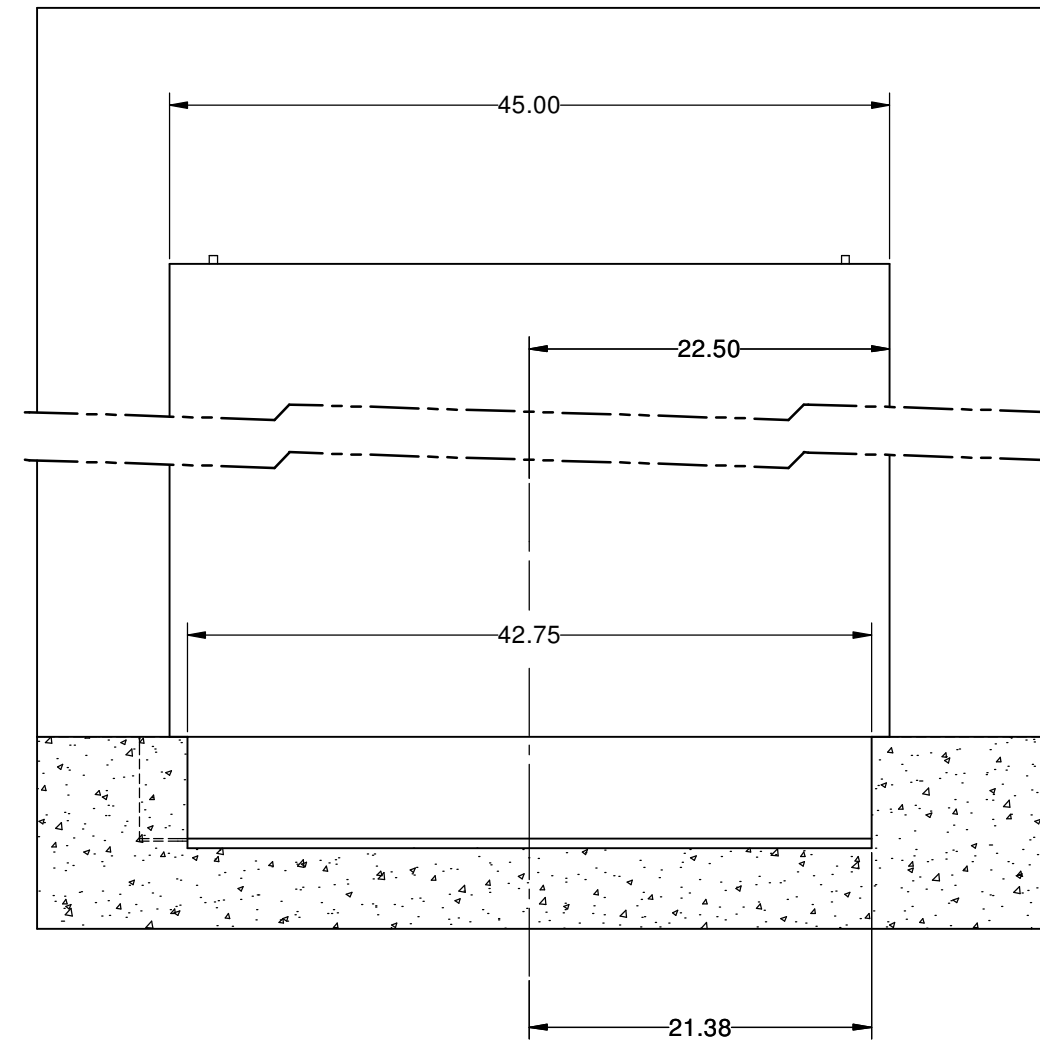
TITLE	ACW7 GENERIC LAYOUT		
DOCUMENT NO.	920-1011	SHEET NO.	1 OF 2
		REVISION	A



**PLAN VIEW**  
RAMP NOT SHOWN FOR CLARITY




**ELEVATION VIEW**  
RAMP NOT SHOWN FOR CLARITY



**SECTION B-B**

**NOTE:**  
THIS DRAWING IS GENERIC AND PROVIDED FOR INFORMATION ONLY.  
REFER TO ACW7 CONFIGURATION FOR SPECIFIC CONDITIONS.

 <b>LIFT-U</b> P.O. BOX 398 ESCALON, CA. 95320 209-838-2400 A DIVISION OF <b>HOGAN MFG., INC.</b>	THIS DOCUMENT IS AND CONTAINS CONFIDENTIAL TRADE SECRET INFORMATION OF THE COMPANY. NO PART OF IT MAY BE REPRODUCED, STORED IN A RETRIEVAL SYSTEM, OR TRANSMITTED IN ANY FORM OR BY ANY MEANS ELECTRONICALLY, PHOTOCOPIING, RECORDING OR OTHERWISE, WITHOUT THE PRIOR WRITTEN PERMISSION OF HOGAN MFG, INC. THIS DOCUMENT IS LOANED FOR THE LIMITED PURPOSES STATED HEREIN ONLY, AND REMAINS THE PROPERTY OF THE COMPANY.	
	<b>TITLE</b> ACW7 GENERIC LAYOUT	
<b>DOCUMENT NO.</b> 920-1011	<b>SHEET NO.</b> 2 OF 2	<b>REVISION</b> A