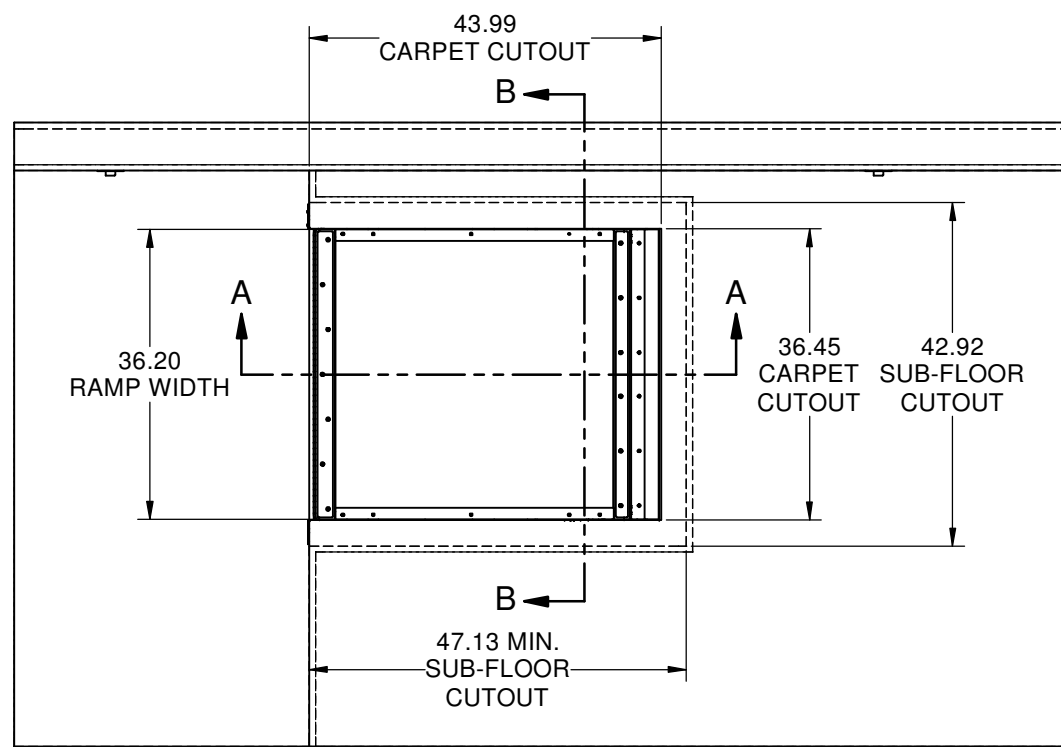
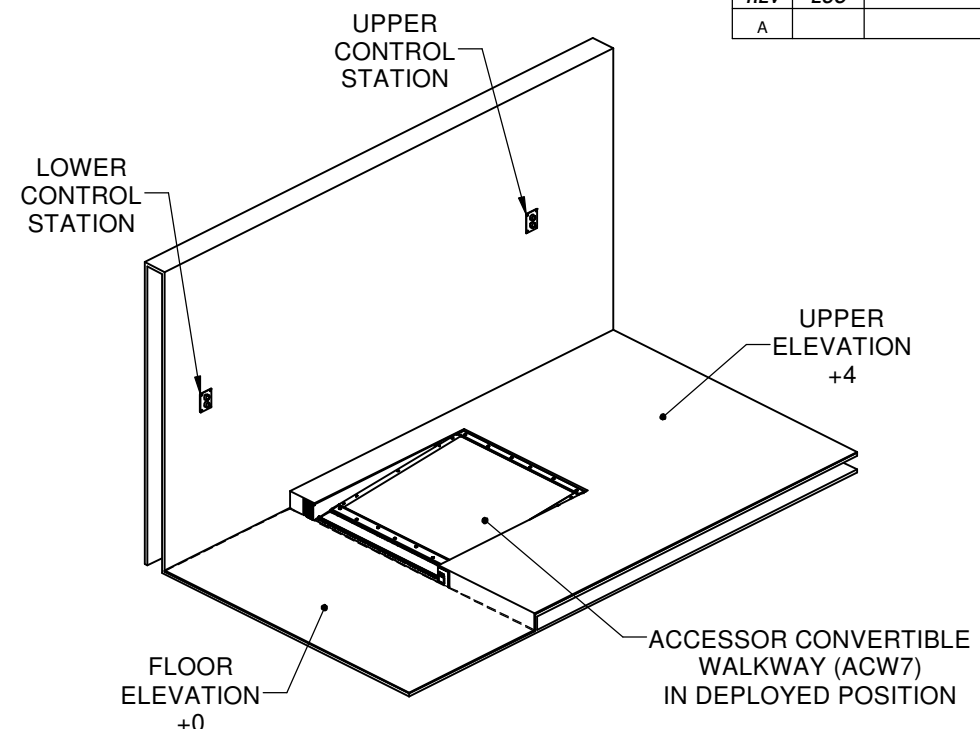


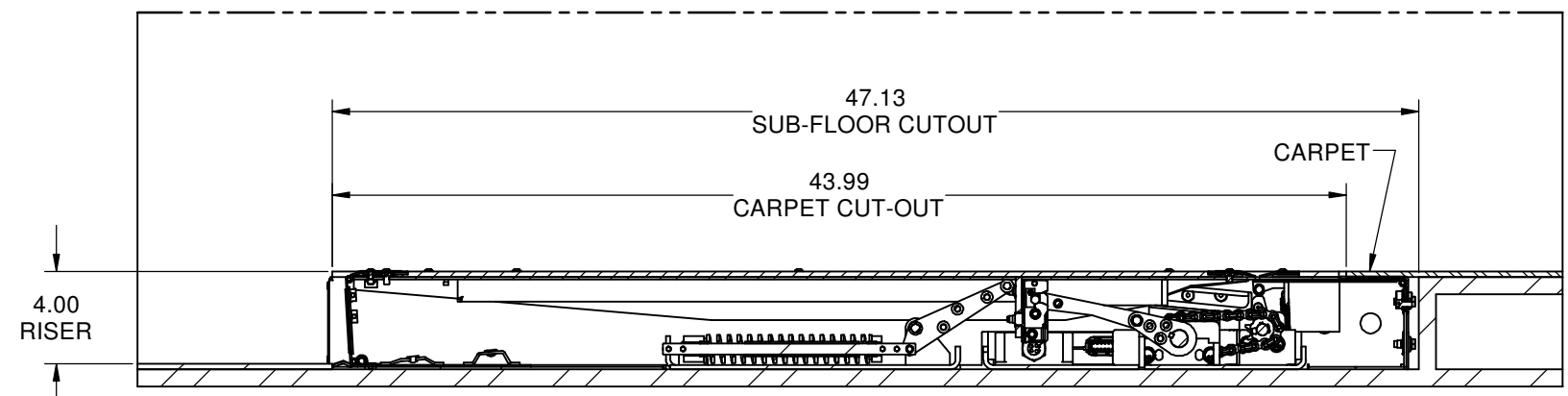
REVISIONS						
REV	ECO	DESCRIPTION	CREATED	DATE	APPROVED	DATE
A		RELEASED	BSA	4-25-16		



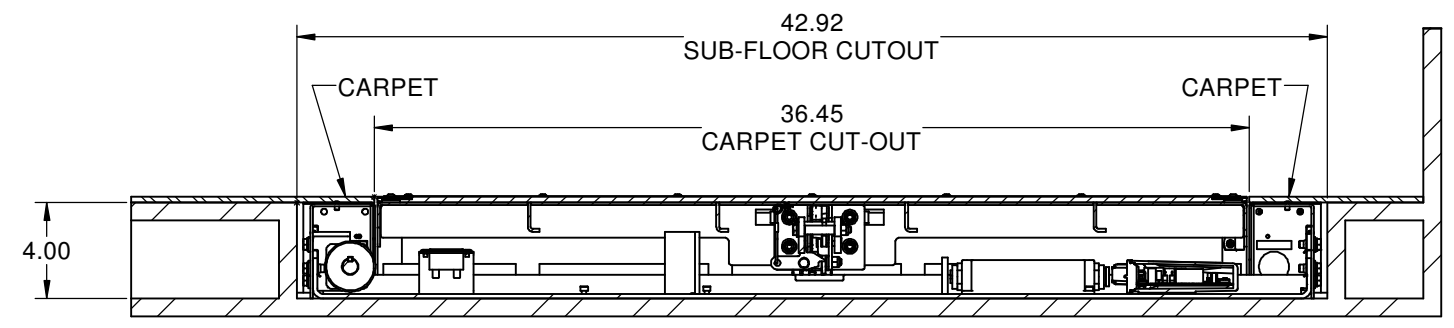
PLAN VIEW



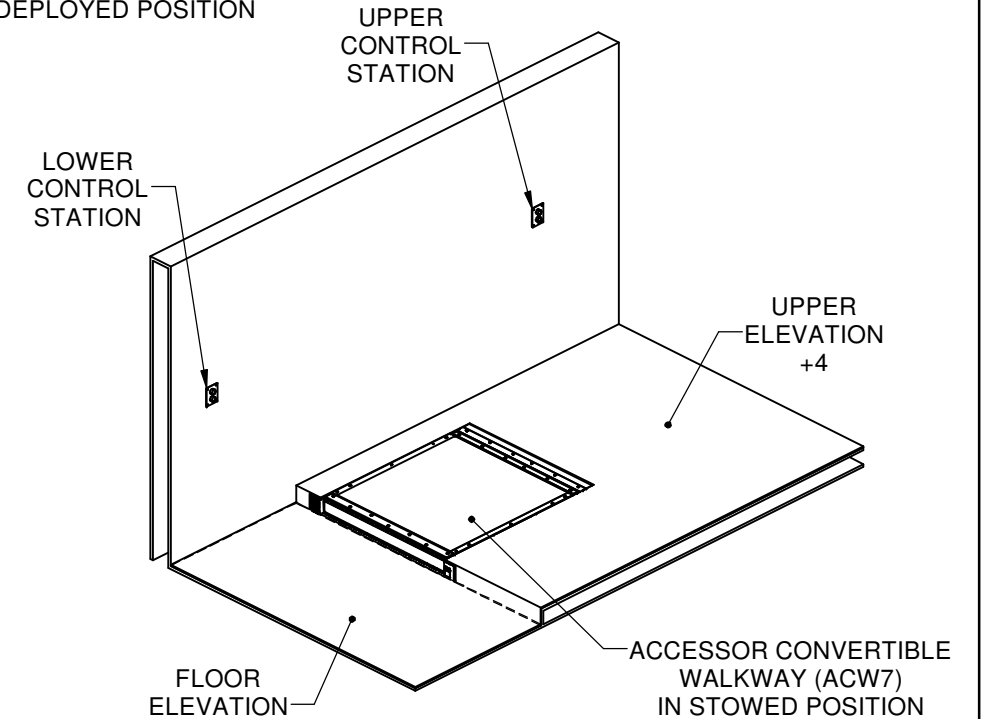
DEPLOYED / INCLINED



SECTION A-A



**SECTION B-B
ROTATED 90°**



STOWED / STEP



A DIVISION OF
HOGAN MFG., INC.

THIS DOCUMENT IS AND CONTAINS CONFIDENTIAL TRADE SECRET INFORMATION OF THE COMPANY. NO PART OF IT MAY BE REPRODUCED, STORED IN A RETRIEVAL SYSTEM, OR TRANSMITTED IN ANY FORM OR BY ANY MEANS ELECTRONICALLY, PHOTOCOPYING, RECORDING OR OTHERWISE, WITHOUT THE PRIOR WRITTEN PERMISSION OF HOGAN MFG, INC. THIS DOCUMENT IS LOANED FOR THE LIMITED PURPOSES STATED HEREIN ONLY, AND REMAINS THE PROPERTY OF THE COMPANY.

TITLE		ACW7 GENERIC LAYOUT (INDOOR)	
DOCUMENT NO.	920-1007	SHEET NO.	1 OF 1
		REVISION	A