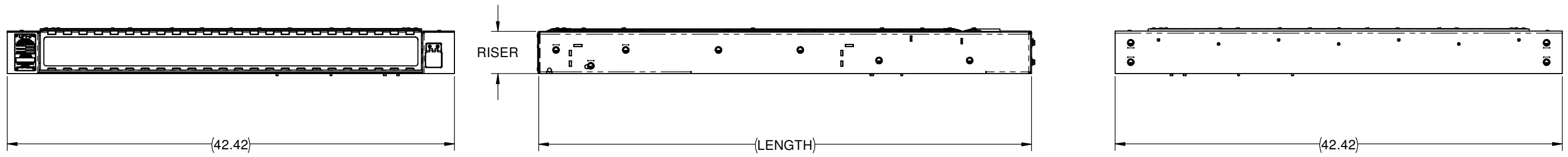
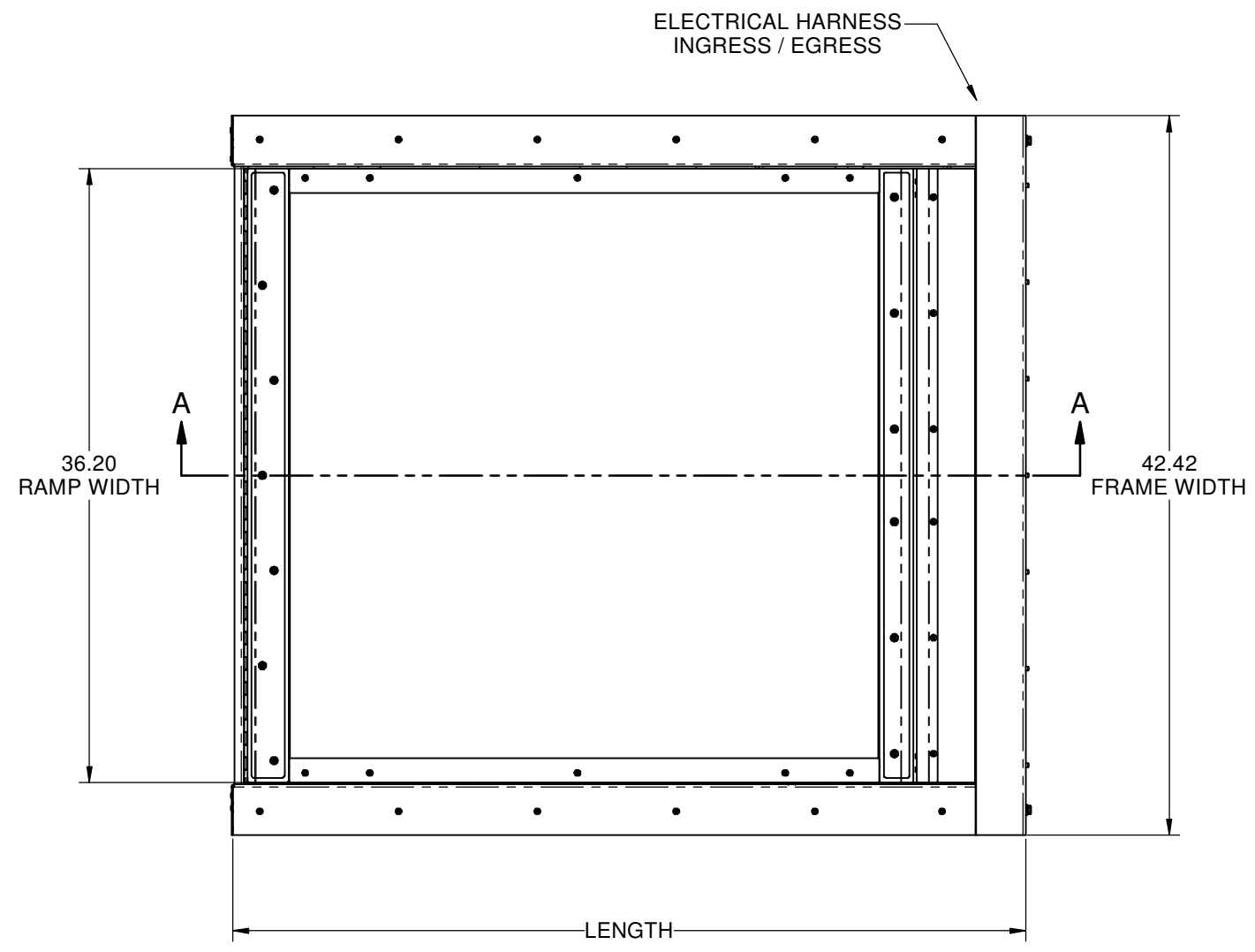


REVISIONS						
REV	ECO	DESCRIPTION	CREATED	DATE	APPROVED	DATE
A		RELEASED	BSA	4-25-16		

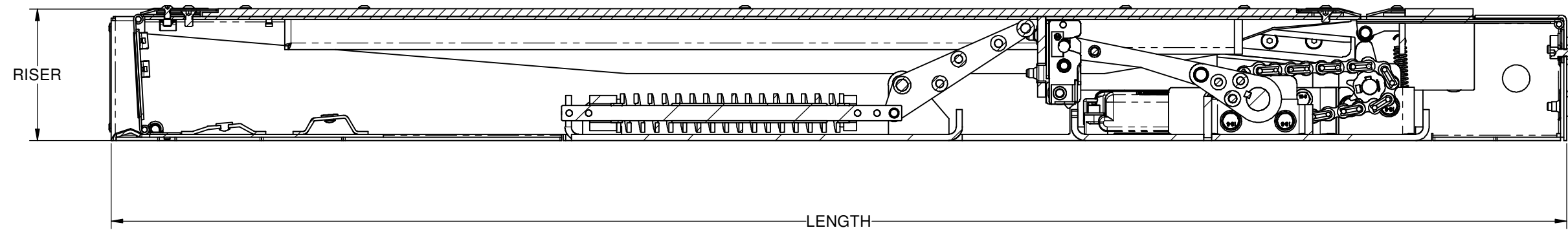


ELEVATION VIEW
SEE TABLE ON SHT 2 FOR RISER AND LENGTH DIMENSIONS

LIFT-U[®]
 P.O. BOX 388
 ESCALON, CA. 95320
 209-838-2400
 A DIVISION OF
HOGAN MFG., INC.

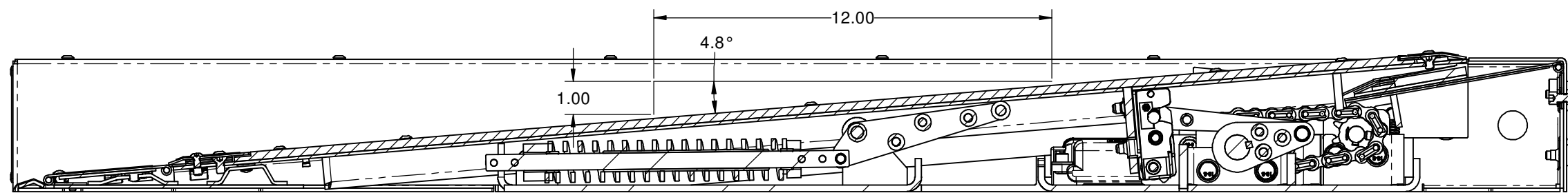
THIS DOCUMENT IS AND CONTAINS CONFIDENTIAL TRADE SECRET INFORMATION OF THE COMPANY. NO PART OF IT MAY BE REPRODUCED, STORED IN A RETRIEVAL SYSTEM, OR TRANSMITTED IN ANY FORM OR BY ANY MEANS ELECTRONICALLY, PHOTOCOPIING, RECORDING OR OTHERWISE, WITHOUT THE PRIOR WRITTEN PERMISSION OF HOGAN MFG, INC. THIS DOCUMENT IS LOANED FOR THE LIMITED PURPOSES STATED HEREIN ONLY, AND REMAINS THE PROPERTY OF THE COMPANY.

TITLE	ACW7 ENVELOPE		
DOCUMENT NO.	920-0003	SHEET NO.	1 OF 3
		REVISION	A



STOWED / STEP POSITION

RISER	LENGTH
4"	46.8"
5"	58.8
6"	70.8
7"	82.8



DEPLOYED / INCLINED POSITION

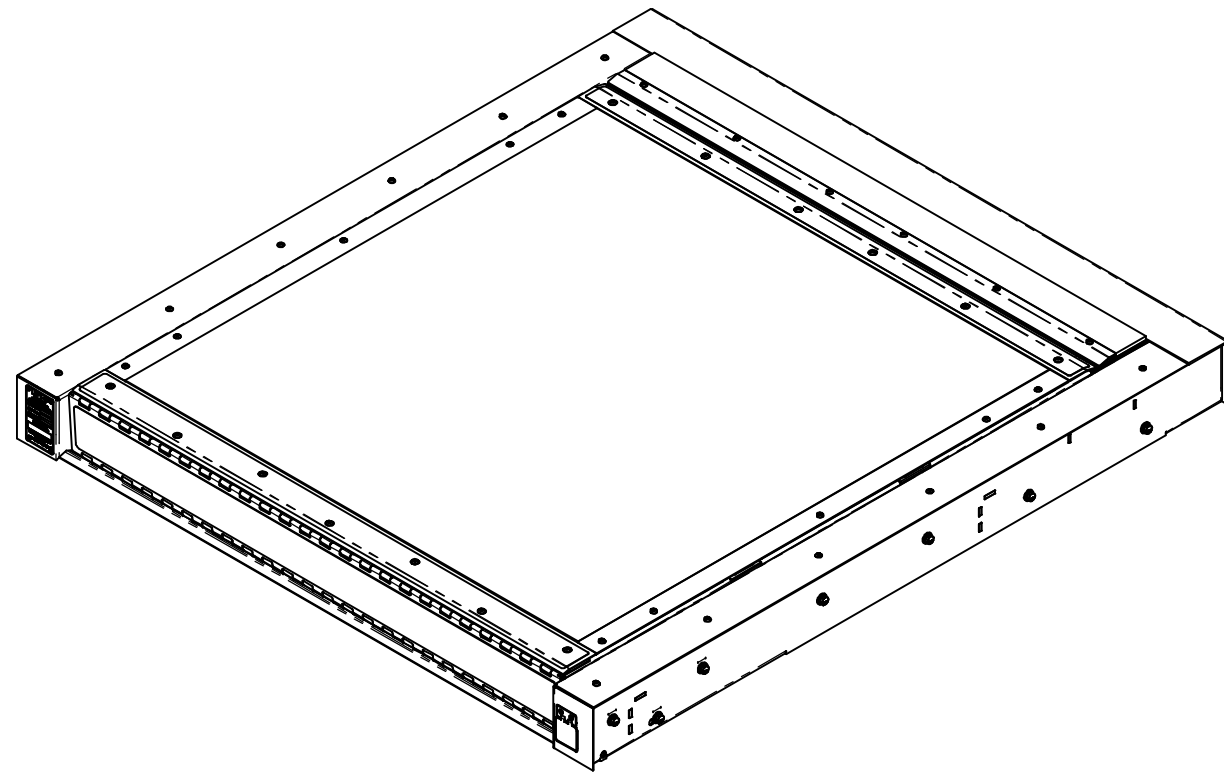
SECTION A-A



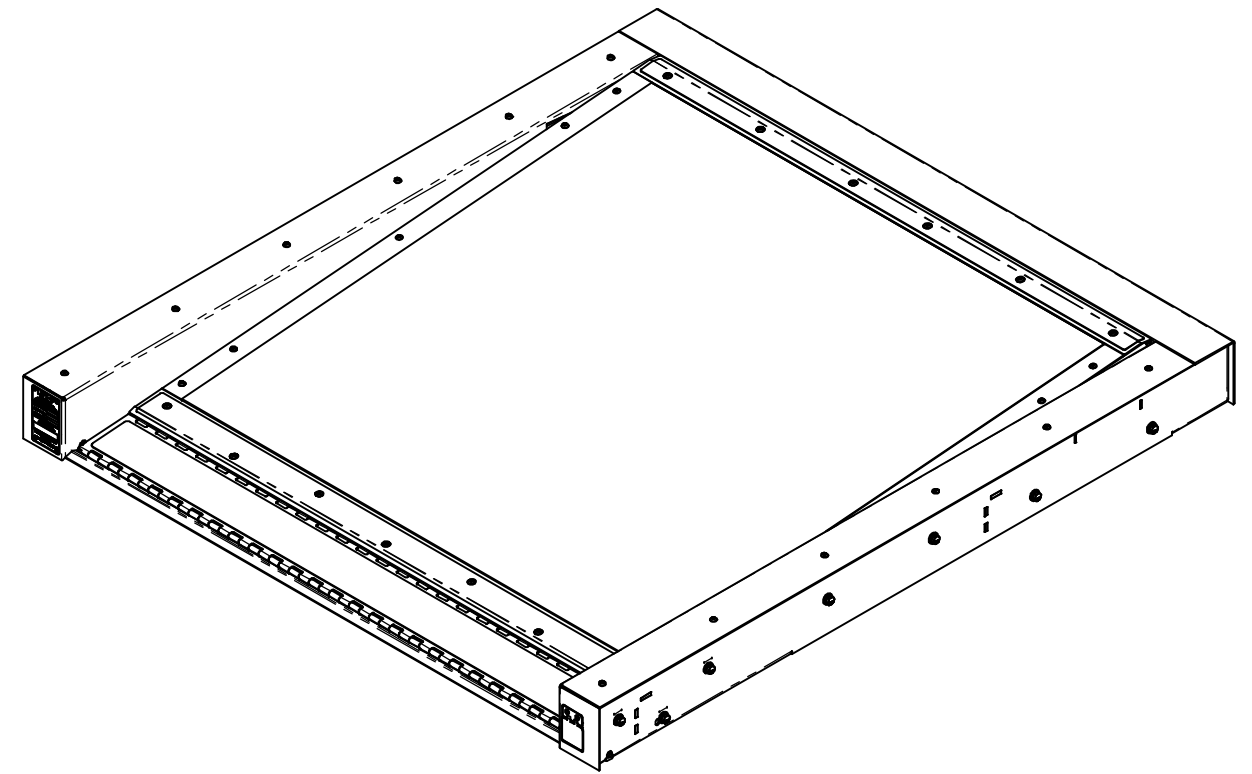
LIFT-U[®]
 P.O. BOX 398
 ESCALON, CA. 95320
 209-838-2400
 A DIVISION OF
HOGAN MFG., INC.

THIS DOCUMENT IS AND CONTAINS CONFIDENTIAL TRADE SECRET INFORMATION OF THE COMPANY. NO PART OF IT MAY BE REPRODUCED, STORED IN A RETRIEVAL SYSTEM, OR TRANSMITTED IN ANY FORM OR BY ANY MEANS ELECTRONICALLY, PHOTOCOPYING, RECORDING OR OTHERWISE, WITHOUT THE PRIOR WRITTEN PERMISSION OF HOGAN MFG, INC. THIS DOCUMENT IS LOANED FOR THE LIMITED PURPOSES STATED HEREIN ONLY, AND REMAINS THE PROPERTY OF THE COMPANY.

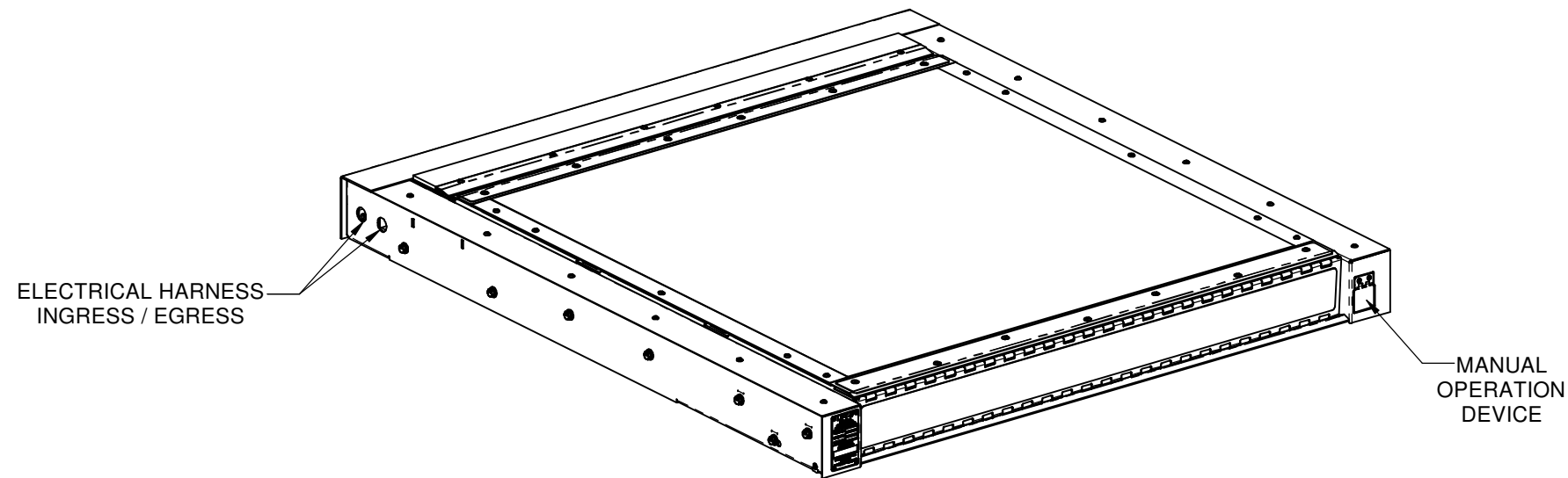
TITLE		ACW7 ENVELOPE	
DOCUMENT NO.	920-0003	SHEET NO.	2 OF 3
		REVISION	A



ISOMETRIC VIEW
STOWED / STEP POSITION



ISOMETRIC VIEW
DEPLOYED / INCLINED POSITION




ELECTRICAL HARNESS
INGRESS / EGRESS

MANUAL
OPERATION
DEVICE

REVERSE ISOMETRIC VIEW
STOWED / STEP POSITION

ACW5 SPECIFICATIONS	
CAPACITY:	1,000 LBS. MAX
POWER SOURCE:	115 VAC - 15 AMP - 3 WIRE - 1PH (LINE, NEUTRAL, GROUND)
CONTROL STATIONS:	SHIPPED LOOSE MOUNTING BY OTHERS
EMERGENCY POWER:	BATTERY BACK-UP (UPS) OPTIONAL
MANUAL OPERATION:	INCLUDED

 LIFT-U [®] P.O. BOX 398 ESCALON, CA. 95320 209-838-2400	THIS DOCUMENT IS AND CONTAINS CONFIDENTIAL TRADE SECRET INFORMATION OF THE COMPANY. NO PART OF IT MAY BE REPRODUCED, STORED IN A RETRIEVAL SYSTEM, OR TRANSMITTED IN ANY FORM OR BY ANY MEANS ELECTRONICALLY, PHOTOCOPIING, RECORDING OR OTHERWISE, WITHOUT THE PRIOR WRITTEN PERMISSION OF HOGAN MFG, INC. THIS DOCUMENT IS LOANED FOR THE LIMITED PURPOSES STATED HEREIN ONLY, AND REMAINS THE PROPERTY OF THE COMPANY.
	A DIVISION OF HOGAN MFG., INC.
TITLE ACW7 ENVELOPE	
DOCUMENT NO. 920-0003	SHEET NO. 3 OF 3
REVISION A	